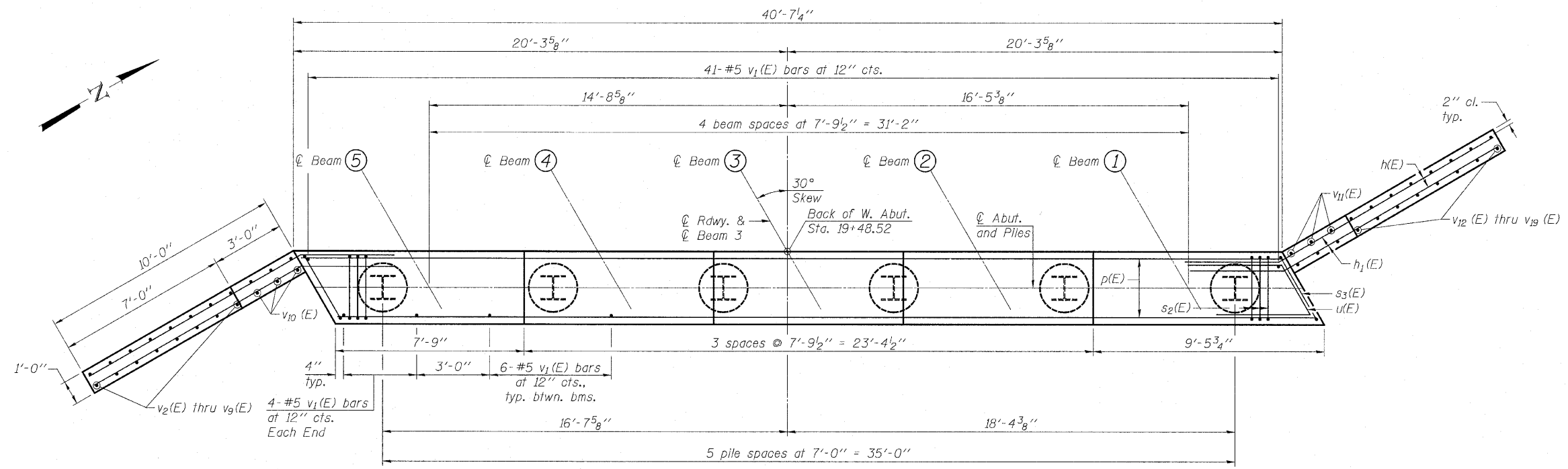


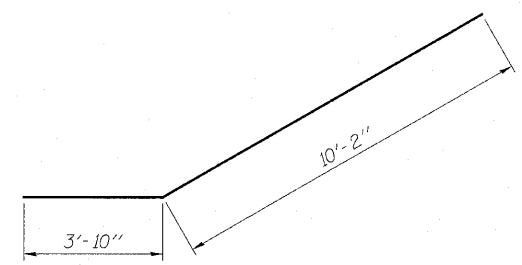
**ELEVATION**  
(Looking West)



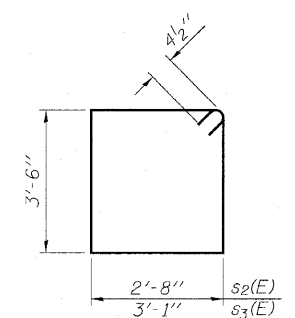
**PLAN**

**PILE DATA**

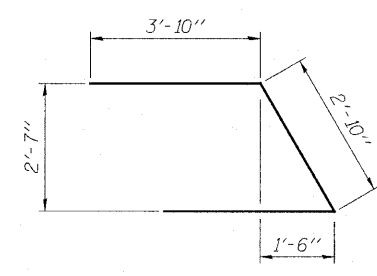
Type: ..... Steel HP12x63  
 Nominal Required Bearing: ..... 440 k  
 Factored Resistance Available: ... 242 k  
 Est. Length: ..... 13'  
 No. Production Piles: ..... 5  
 No. Test Piles: ..... 1



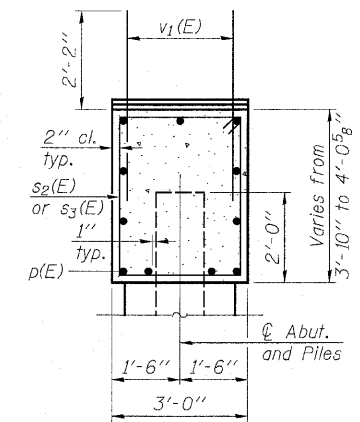
**BAR h(E)**



**BARS s2(E) & s3(E)**



**BAR u(E)**



**SEC. THRU ABUT.**

**BILL OF MATERIAL**

Bar	No.	Size	Length	Shape
h(E)	32	#6	14'-0"	✓
h1(E)	28	#4	13'-6"	✓
p(E)	11	#7	40'-3"	—
s2(E)	41	#4	13'-1"	□
s3(E)	2	#4	13'-11"	□
u(E)	8	#6	10'-6"	∩
v1(E)	78	#5	4'-4"	—
v2(E)	2	#5	6'-5"	—
v3(E)	2	#5	6'-11"	—
v4(E)	2	#5	7'-5"	—
v5(E)	2	#5	7'-11"	—
v6(E)	2	#5	8'-4"	—
v7(E)	2	#5	8'-10"	—
v8(E)	2	#5	9'-4"	—
v9(E)	2	#5	9'-10"	—
v10(E)	6	#5	9'-11"	—
v11(E)	6	#5	9'-9"	—
v12(E)	2	#5	9'-8"	—
v13(E)	2	#5	9'-3"	—
v14(E)	2	#5	8'-9"	—
v15(E)	2	#5	8'-3"	—
v16(E)	2	#5	7'-9"	—
v17(E)	2	#5	7'-3"	—
v18(E)	2	#5	6'-10"	—
v19(E)	2	#5	6'-4"	—
Porous Granular Embankment, Special		Cu. Yd.	133	
Structure Excavation		Cu. Yd.	310	
Concrete Structures		Cu. Yd.	24.3	
Concrete Encasement		Cu. Yd.	2.1	
Reinforcement Bars, Epoxy Coated		Pound	3,060	
Furnishing Steel Piles HP12x63		Foot	65	
Driving Piles		Foot	65	
Test Pile Steel HP12x63		Each	1	
Geocomposite Wall Drain		Sq. Yd.	65	
Concrete Headwall for Pipe Drains		Each	2	
Pipe Underdrains for Structures 4"		Foot	104	

**NOTES:**

For details of Bar Splicers, see Structural Sheet 17 of 18.  
 For details of Piles and Concrete Encasement, see Structural Sheet 16 of 18.  
 Pour steps monolithically with cap.  
 All exposed edges shall have standard 3/4" chamfers, except as noted.

**WEST ABUTMENT DETAILS**  
**C.H. 33 OVER TOMAHAWK CREEK**  
**F.A.S. RTE. 1365 - SEC. 10-00650-00-BR**  
**LASALLE COUNTY**  
**STATION 20+00**  
**S.N. 050-3594**  
 WHA # 1155D08

F.A.S. RTE.	SECTION	COUNTY	TOTAL SHEETS	SHEET NO.
1365	10-00650-00-BR	LASALLE	39	27
CONTRACT NO. 87448				
FED. ROAD DIST. NO. 7 [ILLINOIS] FED. AID PROJECT BRS-1365(113)				

FILE NAME = e:\Struct\1155D08.CH33.Lasalle.County.Drawings\1155-MapSheet.dgn