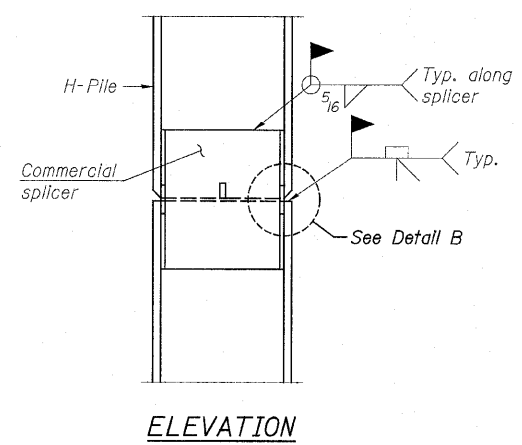
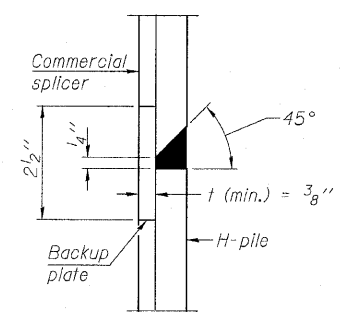


STEEL PILE TABLE

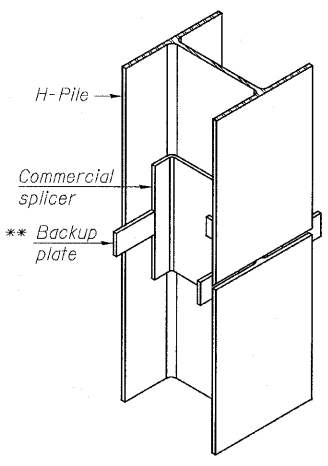
Designation	Depth d	Flange width br	Web and Flange thickness t	Encasement diameter A
HP 14x117	14 1/4"	14 7/8"	13/16"	30"
x102	14"	14 3/4"	1/16"	30"
x89	13 7/8"	14 3/4"	5/8"	30"
x73	13 5/8"	14 5/8"	1/2"	30"
HP 12x84	12 1/4"	12 1/4"	1/16"	24"
x74	12 1/8"	12 1/4"	5/8"	24"
x63	12"	12 1/8"	1/2"	24"
x53	11 3/4"	12"	7/16"	24"
HP 10x57	10"	10 1/4"	9/16"	24"
x42	9 3/4"	10 1/8"	7/16"	24"
HP 8x36	8"	8 1/8"	7/16"	18"



ELEVATION

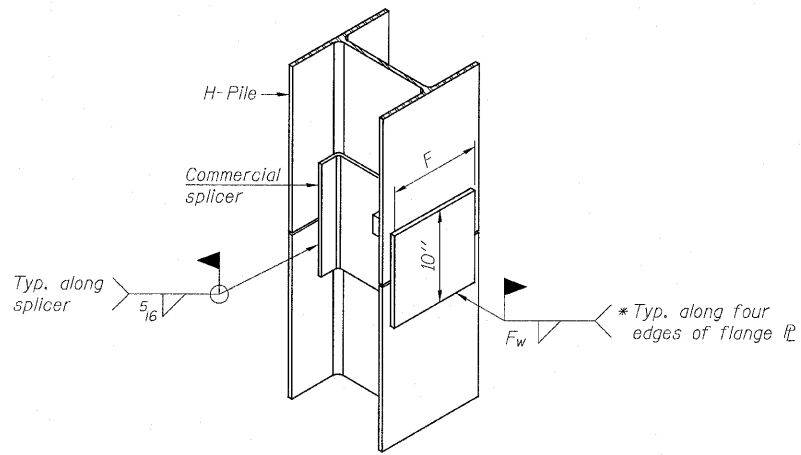


DETAIL B



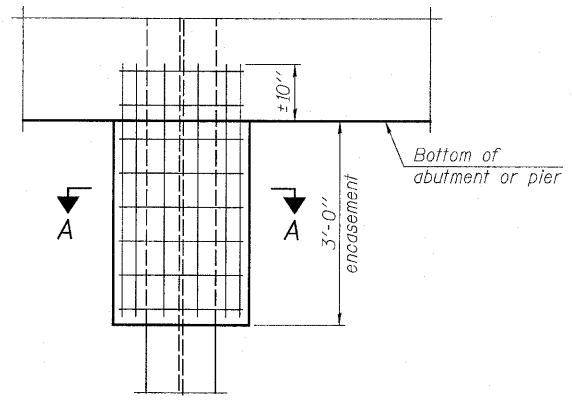
ISOMETRIC VIEW

WELDED COMMERCIAL SPLICE

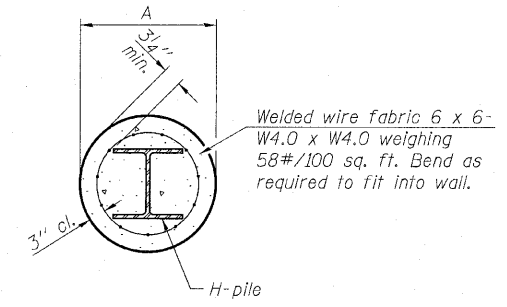


ISOMETRIC VIEW

WELDED COMMERCIAL SPLICE ALTERNATE



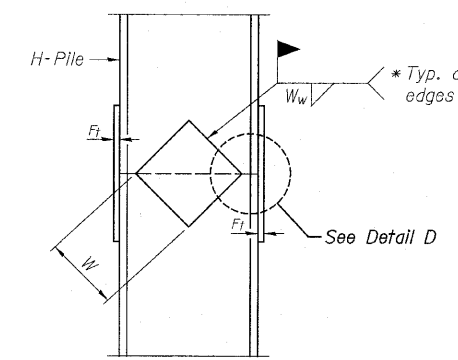
ELEVATION



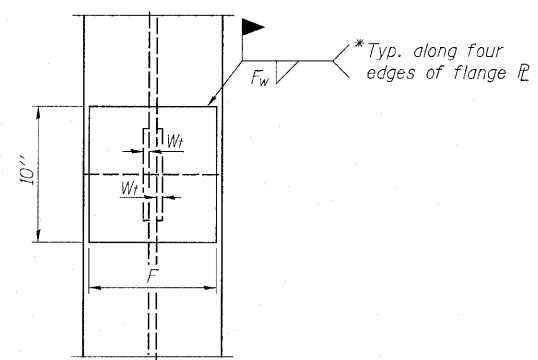
SECTION A-A

PILE ENCASEMENT

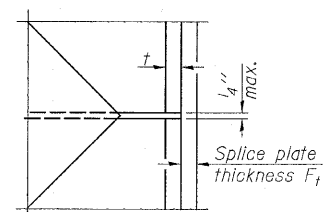
Note: Forms for encasement may be omitted when soil conditions permit.



ELEVATION



END VIEW



DETAIL D

WELDED PLATE FIELD SPLICE

Designation	F	Ft	Fw	W	Wt	Ww
HP 14x117	12 1/2"	1"	7/8"	7 3/4"	5/8"	1/2"
x102	12 1/2"	7/8"	3/4"	7 3/4"	5/8"	1/2"
x89	12 1/2"	3/4"	1/16"	7 3/4"	5/8"	1/2"
x73	12 1/2"	5/8"	9/16"	7 3/4"	5/8"	1/2"
HP 12x84	10"	7/8"	1/16"	6 1/2"	5/8"	1/2"
x74	10"	7/8"	1/16"	6 1/2"	5/8"	1/2"
x63	10"	5/8"	1/2"	6 1/2"	1/2"	3/8"
x53	10"	5/8"	1/2"	6 1/2"	1/2"	3/8"
HP 10x57	8"	3/4"	9/16"	5 1/4"	1/2"	3/8"
x42	8"	5/8"	9/16"	5 1/4"	1/2"	3/8"
HP 8x36	7"	5/8"	7/16"	4 1/4"	1/2"	3/8"

NOTES:
 The steel H-piles shall be according to AASHTO M270 Grade 50.
 * Interrupt welds 1/4" from end of web and/or each flange.
 ** Remove portions of backup plates that extend outside the flanges.
 *** Weld size per pile shoe manufacturer (5/16" min.).

HP PILE DETAILS
 C.H. 33 OVER TOMAHAWK CREEK
 F.A.S. RTE. 1365 - SEC. 10-00650-00-BR
 LASALLE COUNTY
 STATION 20+00
 S.N. 050-3594
 WHA # 1155D08

STRUCTURAL SHEET NO. 16 OF 18 SHEETS	F.A.S. RTE.	SECTION	COUNTY	TOTAL SHEETS	SHEET NO.
	1365	10-00650-00-BR	LASALLE	39	29
			CONTRACT NO. 87448		
FED. ROAD DIST. NO. 7 ILLINOIS FED. AID PROJECT BR5-1365(113)					

FILE NAME = s:\projects\1155D08\1155D08.dwg Date: 11/15/00 11:55 P: jls