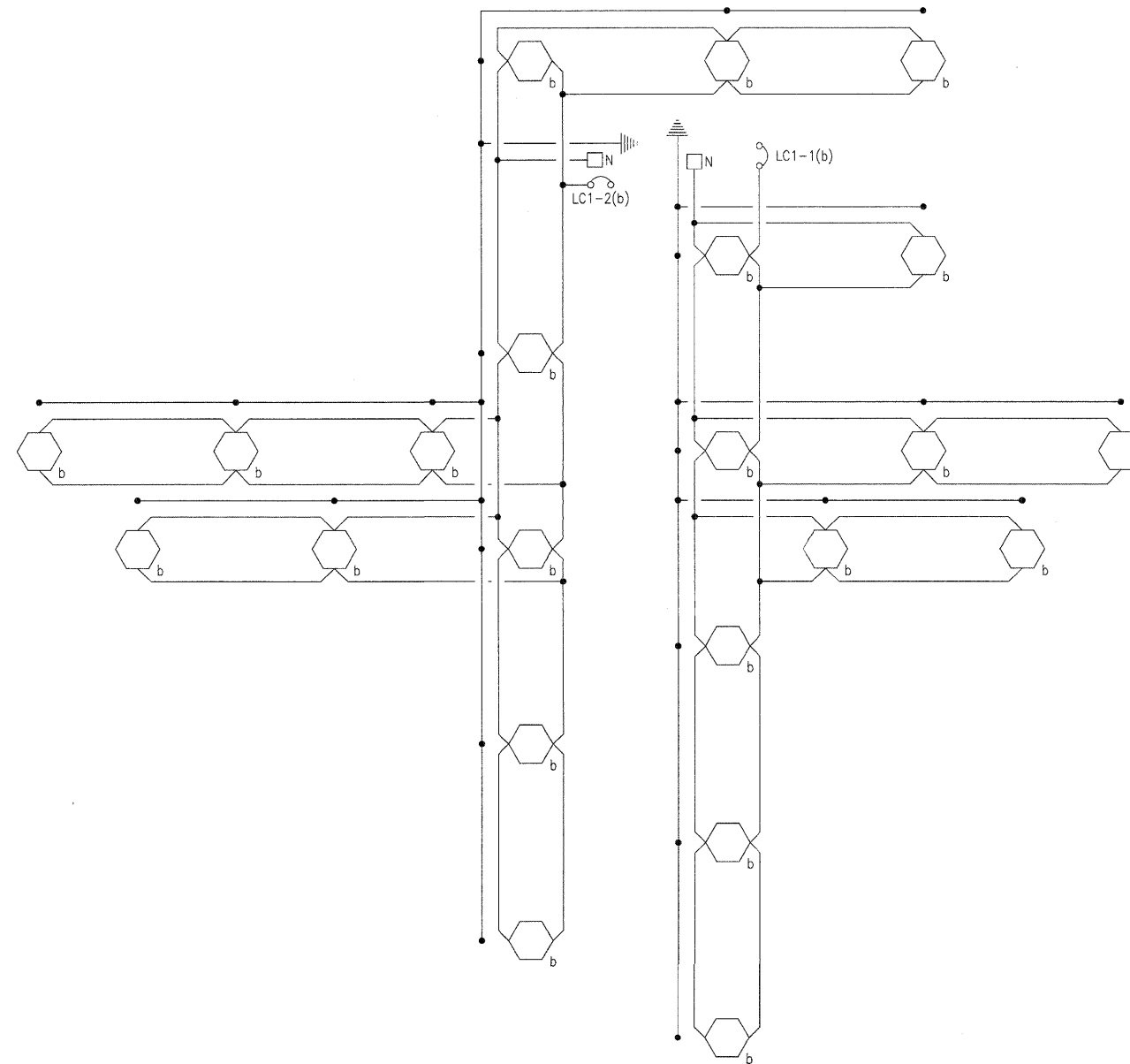


CONTROLLER LC1
200 AMP, 480Y/277 VOLT, THREE
PHASE, ALL CONDUCTOR #10

CIRCUIT DIAGRAM
NOT TO SCALE



CONTROLLER LC1
200 AMP, 480Y/277 VOLT, THREE
PHASE, ALL CONDUCTOR #10

CIRCUIT DIAGRAM
NOT TO SCALE

FILE NAME =	USER NAME = MWH
1:\86\86a\06R1593\CAD01\Road\Sheet\15-06L.dwg	

PLOT SCALE = AS SHOWN	DESIGNED - PJT	REVISIONS
PLOT DATE = 11/05/2010	DRAWN - ANC	REVISIONS
	CHECKED - PJT	REVISIONS
	DATE - 11/04/10	REVISIONS

**STATE OF ILLINOIS
DEPARTMENT OF TRANSPORTATION**

**NORTHERN ILLINOIS UNIVERSITY
FAR WEST CAMPUS EXPANSION
CIRCUIT DIAGRAMS**

SCALE: AS SHOWN SHEET NO. 11 OF X SHEETS STA. TO STA.

F.A.P. RTE. 567	SECTION 06-00002-00-PV	COUNTY DEKALB	TOTAL SHEETS 148	SHEET NO. 89
FED. ROAD DIST. NO. ILLINOIS FED. AID PROJECT			CONTRACT NO. 87476	