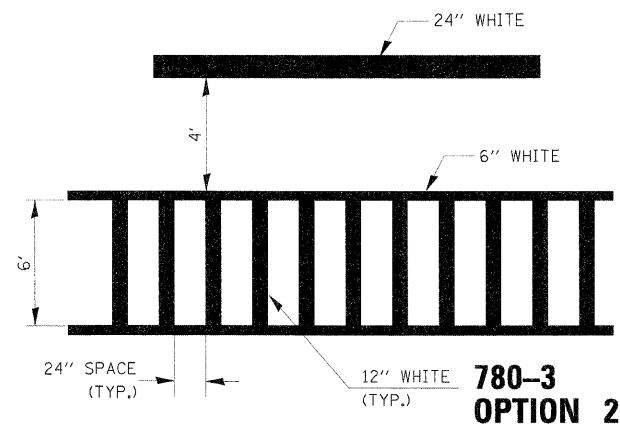
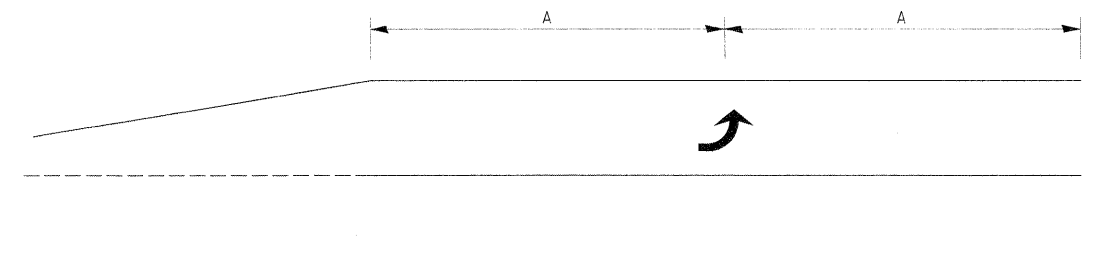


QUANTITY
12" LINE = 16 LIN. FT.
OR 4" LINE = 48 LIN. FT.

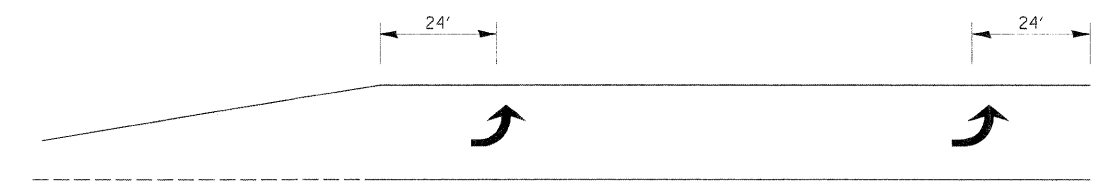
QUANTITY
12" LINE = 29 LIN. FT.
OR 4" LINE = 87 LIN. FT.



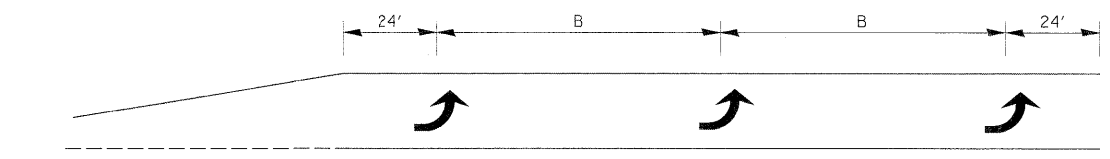
**TYPICAL SPACING DETAIL FOR
CROSSWALKS AND STOP BARS**



99' AND UNDER

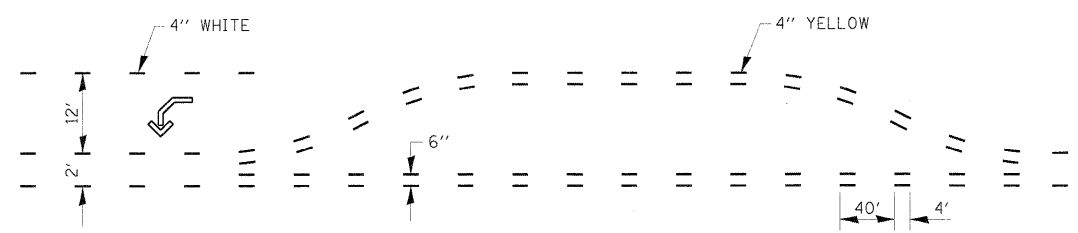


100' TO 149'

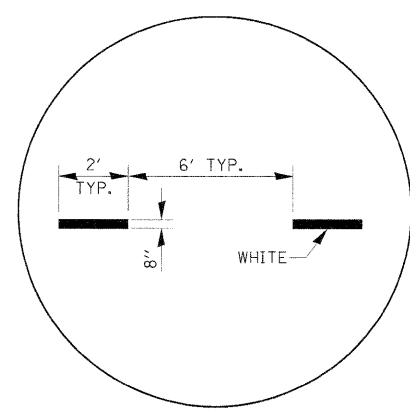


150' AND LONGER

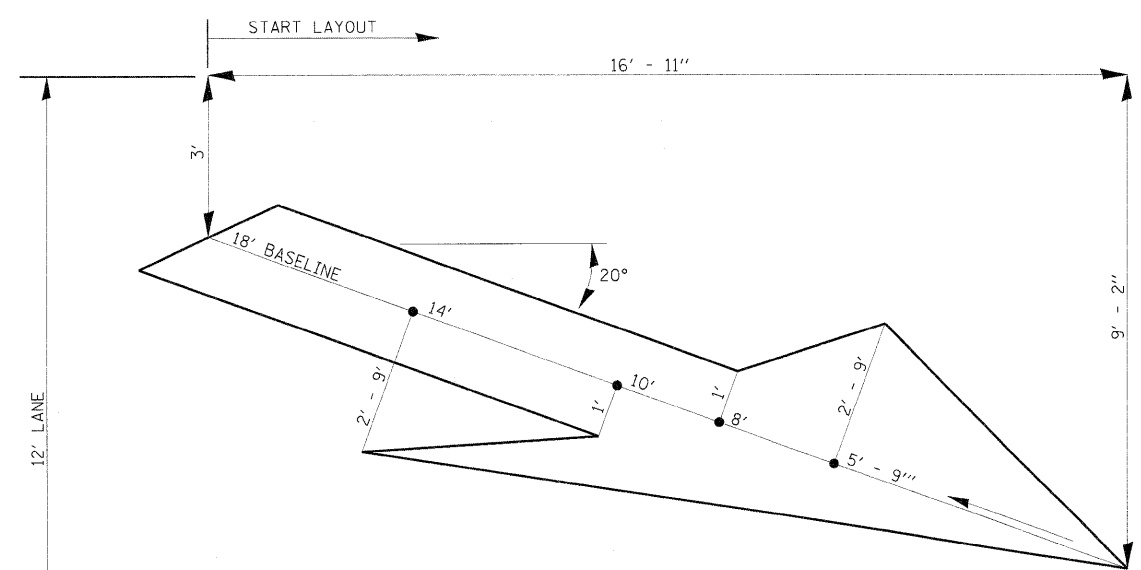
**TYPICAL PLACEMENT OF ARROWS
IN TURN LANES 780-10**



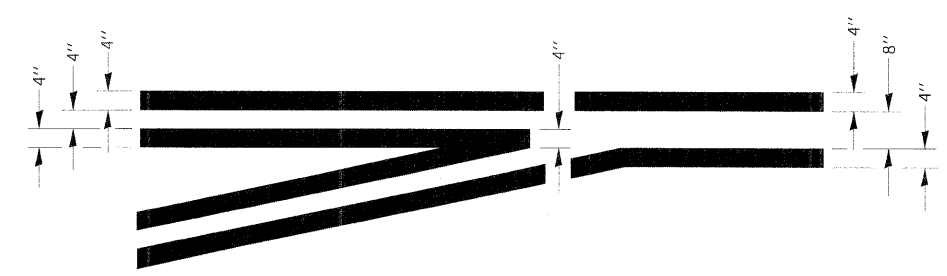
**SHORT-TERM PAVEMENT MARKING
FOR MEDIANS AND ARROWS 703-1**



**ADVANCE AND INTERSECTION LANE
DIVIDER LINES 780-5**



**LARGE MERGE ARROWS
42 Sq. Ft. 780-17**



**TYPICAL APPLICATION
LEFT TURN LANES 780-1**

FILE NAME =	USER NAME = MWH	DESIGNED - DPA	REVISED -
C:\2010\02\1010\110500\110500.DWG		DRAWN - MWH	REVISED -
	PLOT SCALE = AS SHOWN	CHECKED - DPA	REVISED -
	PLOT DATE = 11/05/2010	DATE - 11/04/10	REVISED -

**STATE OF ILLINOIS
DEPARTMENT OF TRANSPORTATION**

**NORTHERN ILLINOIS UNIVERSITY
FAR WEST CAMPUS EXPANSION
DISTRICT 3 DETAILS**

SCALE: AS SHOWN SHEET NO. OF SHEETS STA. TO STA.

F.A.P. RTE. 567	SECTION 06-00002-00-PV	COUNTY DEKALB	TOTAL SHEETS 148	SHEET NO. 142
FED. ROAD DIST. NO.		ILLINOIS FED. AID PROJECT		
		CONTRACT NO. 87476		