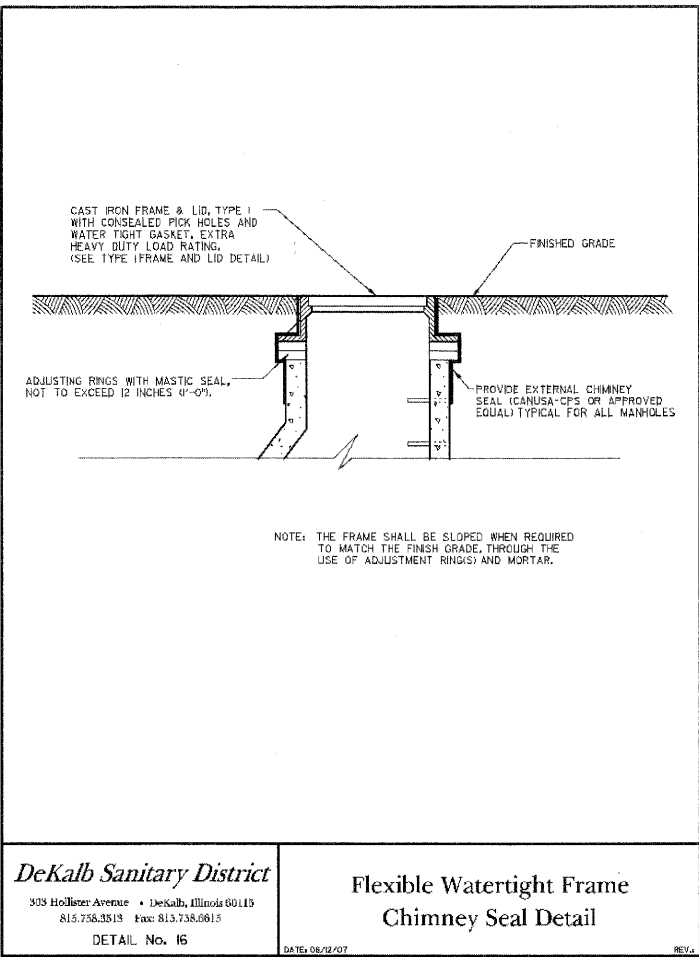


DeKalb Sanitary District
 303 Hollister Avenue • DeKalb, Illinois 60115
 815.738.3513 Fax: 815.738.0913
 DETAIL No. 15

Sanitary Service Cleanout Detail

DATE: 08/20/07

REV: 1

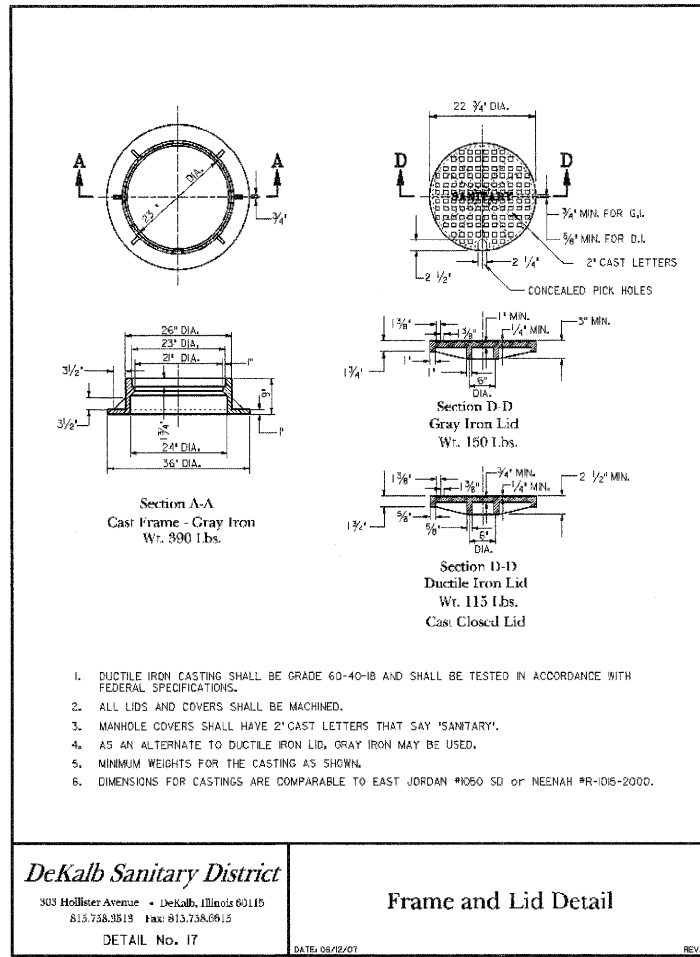


DeKalb Sanitary District
 303 Hollister Avenue • DeKalb, Illinois 60115
 815.738.3513 Fax: 815.738.0913
 DETAIL No. 16

Flexible Watertight Frame Chimney Seal Detail

DATE: 08/20/07

REV: 1

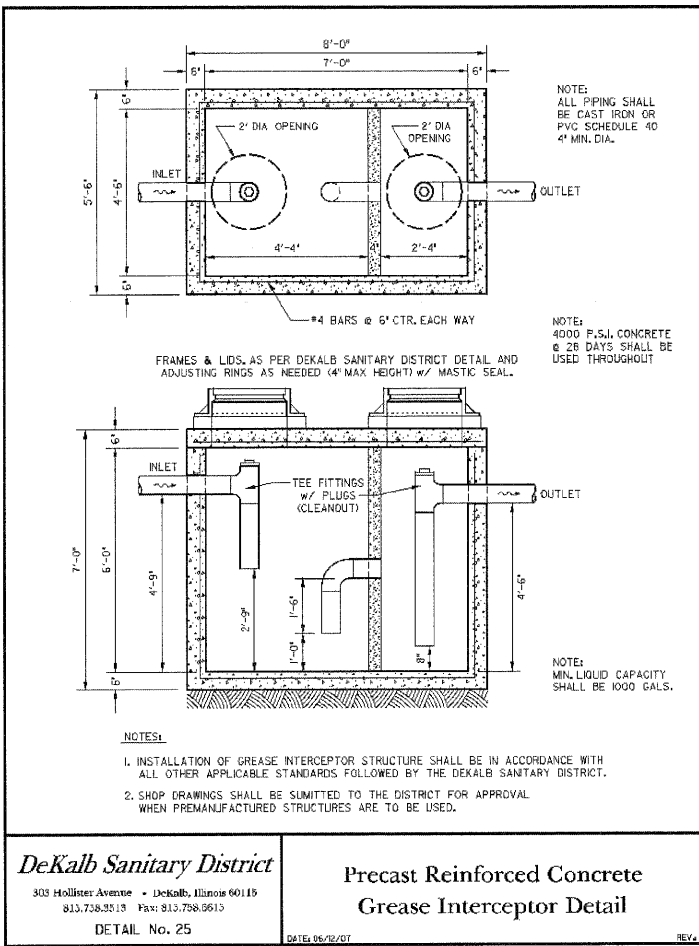


DeKalb Sanitary District
 303 Hollister Avenue • DeKalb, Illinois 60115
 815.738.3513 Fax: 815.738.0913
 DETAIL No. 17

Frame and Lid Detail

DATE: 08/20/07

REV: 1

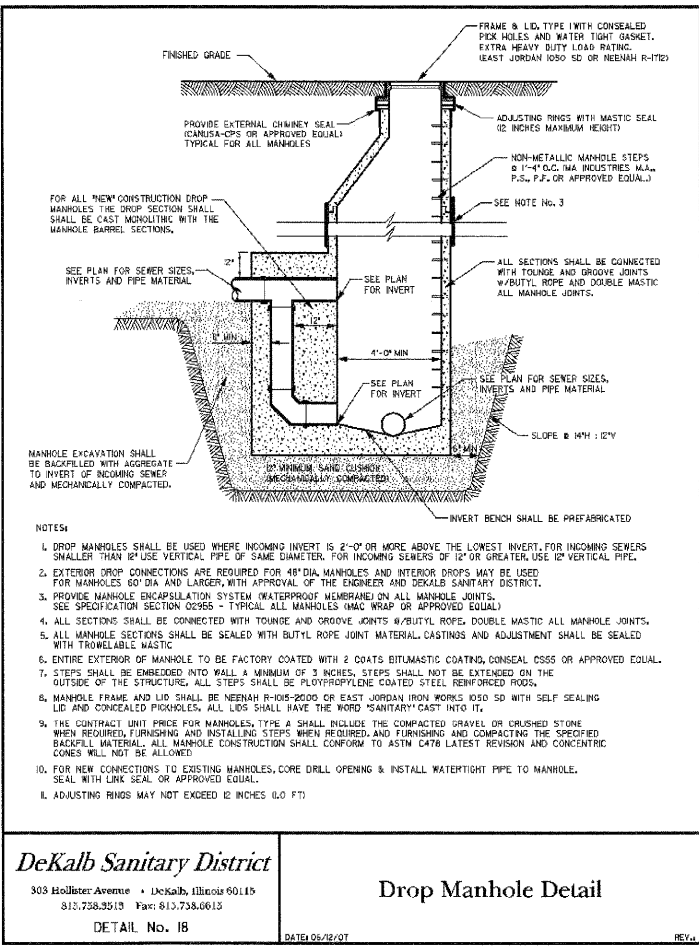


DeKalb Sanitary District
 303 Hollister Avenue • DeKalb, Illinois 60115
 815.738.3513 Fax: 815.738.0913
 DETAIL No. 25

Precast Reinforced Concrete Grease Interceptor Detail

DATE: 06/20/07

REV: 1

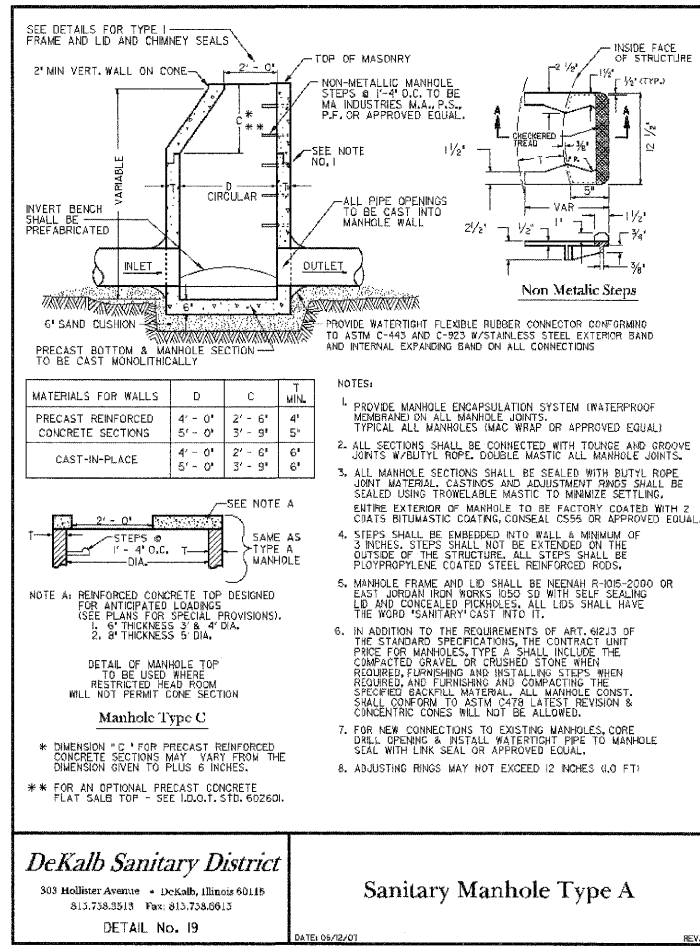


DeKalb Sanitary District
 303 Hollister Avenue • DeKalb, Illinois 60115
 815.738.3513 Fax: 815.738.0913
 DETAIL No. 18

Drop Manhole Detail

DATE: 08/20/07

REV: 1



DeKalb Sanitary District
 303 Hollister Avenue • DeKalb, Illinois 60115
 815.738.3513 Fax: 815.738.0913
 DETAIL No. 19

Sanitary Manhole Type A

DATE: 06/20/07

REV: 1