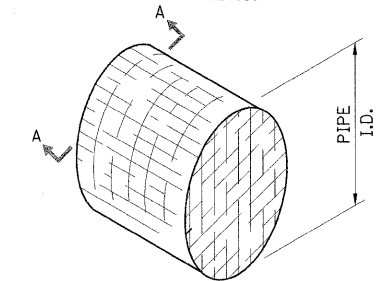
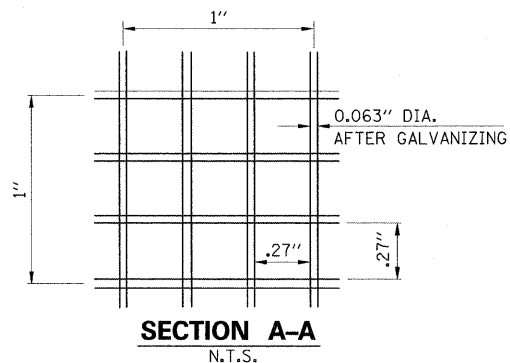
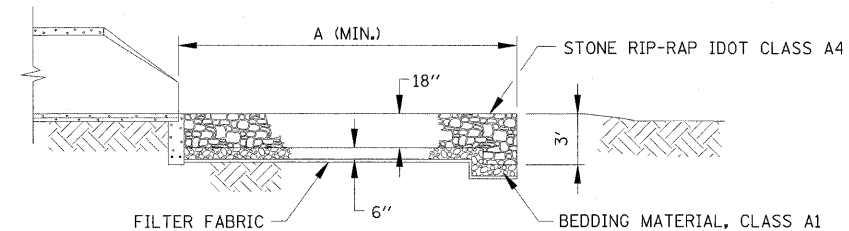


RODENT SHIELD PLACEMENT
N.T.S.



DETAIL OF RODENT SHIELD
N.T.S.

INSIDE DIAMETER STORM SEWER (IN.)	MIN. DIMENSION (FT)				
	A	B	C	D	E
12" thru 24"	15	4	2.0	1.5	4
27" thru 30"	18	5	3.5	2.0	6
36" thru 48"	22	6	4.5	2.5	8
54" thru 60"	25	7	6.0	3.5	10



INSTALLATION NOTES:

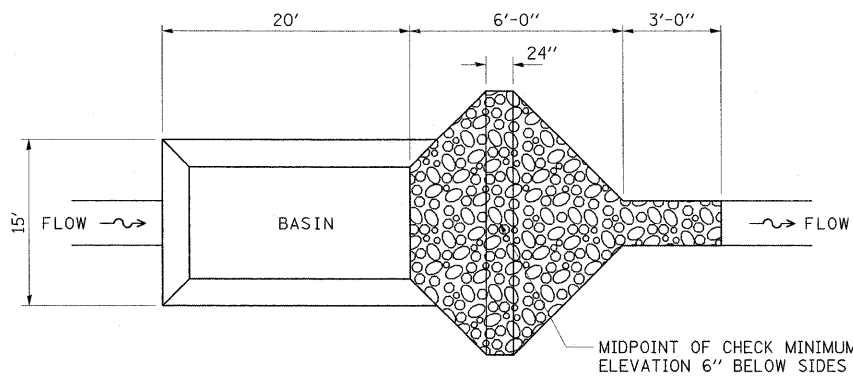
1. PREPARE SOIL BEFORE INSTALLING BLANKETS, INCLUDING ANY NECESSARY APPLICATION OF LIME, FERTILIZER, AND SEED.
2. BEGIN AT THE TOP OF THE SLOPE BY ANCHORING THE BLANKET IN A 6" DEEP X 6" WIDE TRENCH WITH APPROXIMATELY 12" OF BLANKET EXTENDED BEYOND THE UP-SLOPE PORTION OF THE TRENCH. ANCHOR THE BLANKET WITH A ROW OF STAPLES/STAKES APPROXIMATELY 12" APART IN THE BOTTOM OF THE TRENCH. BACKFILL AND COMPACT THE TRENCH AFTER STAPLING. APPLY SEED TO COMPACTED SOIL AND FOLD REMAINING 12" PORTION OF BLANKET BACK OVER SEED AND COMPACTED SOIL. SECURE BLANKET OVER COMPACTED SOIL WITH A ROW OF STAPLES/STAKES SPACED APPROXIMATELY 12" APART ACROSS THE WIDTH OF THE BLANKET.
3. ROLL THE BLANKETS (A.) DOWN OR (B.) HORIZONTALLY ACROSS THE SLOPE. BLANKETS WILL UNROLL WITH APPROPRIATE SIDE AGAINST THE SOIL SURFACE. ALL BLANKETS MUST BE SECURELY FASTENED TO SOIL SURFACE BY PLACING STAPLES/STAKES IN APPROPRIATE LOCATIONS AS PER MANUFACTURERS RECOMMENDATION.
4. THE EDGES OF PARALLEL BLANKETS MUST BE STAPLED WITH APPROXIMATELY 4"-6" OVERLAP DEPENDING ON BLANKET TYPE. TO ENSURE PROPER SEAM ALIGNMENT, PLACE THE EDGE OF THE OVERLAPPING BLANKET (BLANKET BEING INSTALLED ON TOP) EVEN WITH THE SEAM STITCH ON THE PREVIOUSLY INSTALLED BLANKET.
5. CONSECUTIVE BLANKETS SPLICED DOWN THE SLOPE MUST BE PLACED END OVER END (SHINGLE STYLE) WITH AN APPROXIMATE 3" OVERLAP. STAPLE THROUGH OVERLAPPED AREA, APPROXIMATELY 12" APART ACROSS ENTIRE BLANKET WIDTH.
6. PLACE STAPLES/STAKES PER MANUFACTURER'S RECOMMENDATION FOR THE APPROPRIATE SLOPE BEING APPLIED.

NOTES:

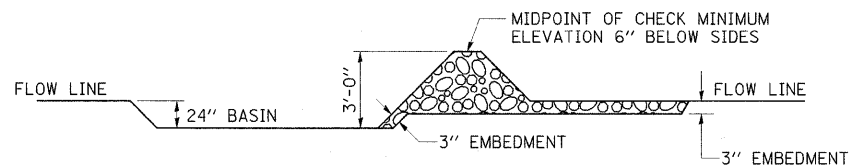
1. IN LOOSE SOIL CONDITIONS, THE USE OF STAPLE OR STAKE LENGTHS GREATER THAN 6" MAY BE NECESSARY TO PROPERLY SECURE THE BLANKETS.
2. FOR PRODUCT SELECTION, SEE SITE SPECIFICATIONS.

EROSION CONTROL BLANKET

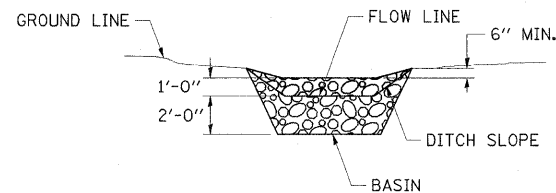
N.T.S.



PLAN VIEW - BASIN WITH STONE CHECK OUTLET



SECTION - BASIN WITH STONE CHECK OUTLET



ELEVATION - BASIN WITH STONE CHECK OUTLET

SEDIMENT BASIN

N.T.S.

MAINTENANCE NOTES:

1. INSPECT RIPRAP AFTER STORM EVENTS FOR STONE DISPLACEMENT AND FOR EROSION AT THE SIDES AND ENDS OF THE APRON.
2. MAKE NEEDED REPAIRS IMMEDIATELY; USE APPROPRIATE SIZE STONE, AND DO NOT PLACE THEM ABOVE FINAL GRADE.

RIP-RAP AT END SECTIONS

N.T.S.

NOTES:
ALL ITEMS SHALL BE CONSTRUCTED AS SHOWN ON THIS SHEET, ON STANDARD 280001, AND AS DIRECTED BY THE ENGINEER.

FILE NAME = ...Erosion_Contl_Temp_Div...Dtls.dgn	USER NAME = Kristin Tummons	DESIGNED - KLT/JJF	REVISED -	NIEMANVILLE TRAIL MONTGOMERY COUNTY, ILLINOIS	EROSION CONTROL & TEMPORARY DIVERSION DETAILS F.A.U. ROUTE 8243	F.A.U. RTE. 8243	SECTION 09-00134-00-DR	COUNTY MONTGOMERY	TOTAL SHEETS 32	SHEET NO. 25		
	PLOT SCALE = 20,0000' / IN.	DRAWN - GLD	REVISED -			SCALE: N/A	SHEET NO. 25 OF 32 SHEETS	STA. N/A	TO STA. N/A	CONTRACT NO. 93537		
	PLOT DATE = 3/3/2010	CHECKED - KLT/JJF	REVISED -			FED. ROAD DIST. NO. 6 ILLINOIS FED. AID PROJECT						
		DATE - 3/2/2010	REVISED -									