

|                     |               |        |              |                |
|---------------------|---------------|--------|--------------|----------------|
| ROUTE NO.           | SECTION       | CITY   | TOTAL SHEETS | SHEET NO.      |
|                     | 00-0001-00-RP | OREANA | 46           | 17             |
| FED. ROAD DIST. NO. | ILLINOIS      |        | PROJECT      | HPP-0813 (001) |

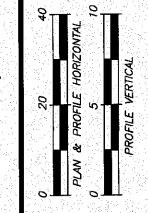
CONTRACT NUMBER 95537

| REVISIONS | NO. | BY  | DATE     |
|-----------|-----|-----|----------|
|           | 1   | MJP | 4-2-09   |
|           | 2   | MJP | 11-06-09 |

DESIGNED: MJP  
 DRAWN: Les Jenkins  
 FIELD BOOK: JTC  
 SCALE: HOR. 1" = 50'  
 DATE: Feb. 2009  
 JOB NO.: 06-04040X

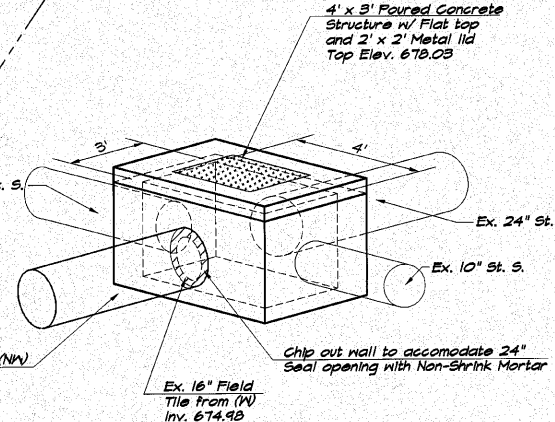
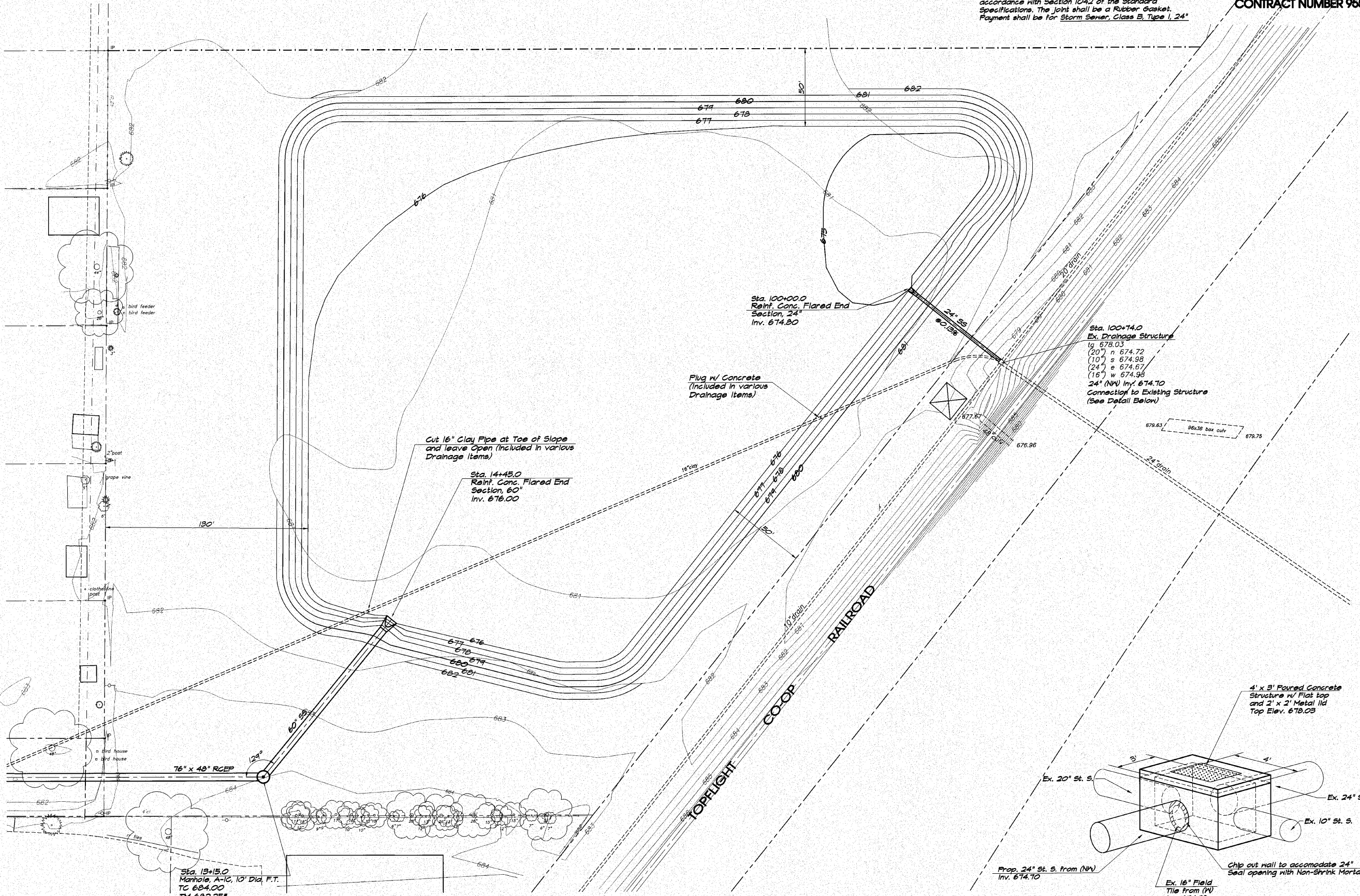
**BRIDGES & ASSOCIATES, INC.**  
 Consulting Engineers  
 1670 SOUTH TAYLORVILLE ROAD  
 DECATUR, ILLINOIS 62526  
 Illinois License 184-001225

**VILLAGE OF OREANA, ILLINOIS**  
 SAFE TEA-LU PROJECT  
**OUTLET SEWER PROFILE**  
 STATION 669+00.00 TO 15+60



SHEET NO. 17 OF 46

NOTE: 24" S.S. from Sta. 100+00.0 to Sta. 100+74.0 shall be Reinforced Concrete Storm Drain in accordance with Section 104.2 of the Standard Specifications. The Joint shall be a Rubber Gasket. Payment shall be for Storm Sewer, Class B, Type 1, 24"



DETAIL OF CONNECTION