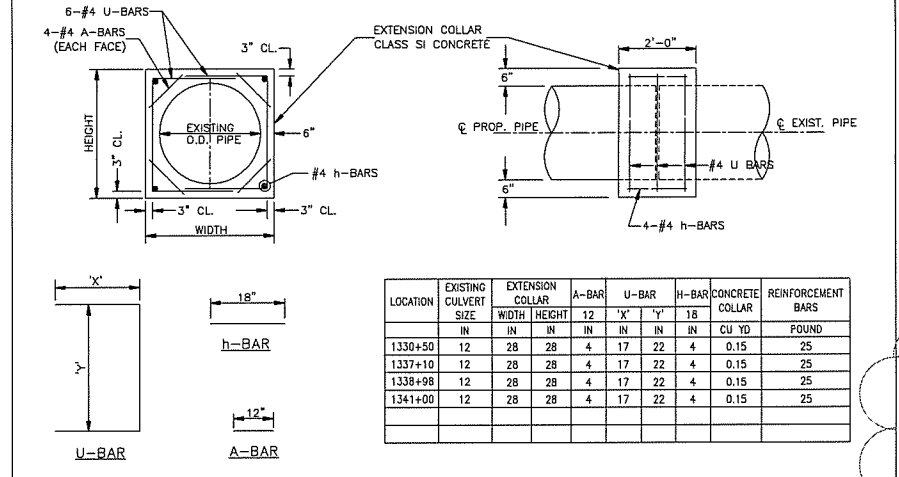
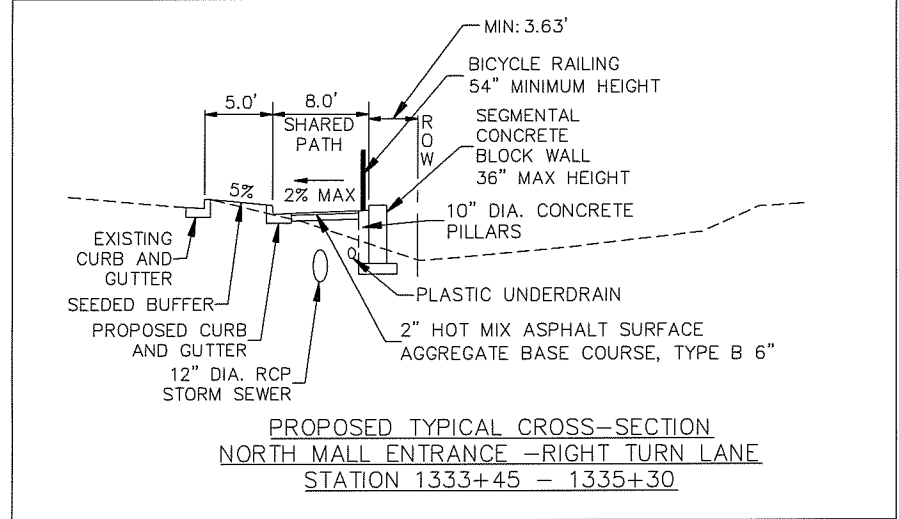
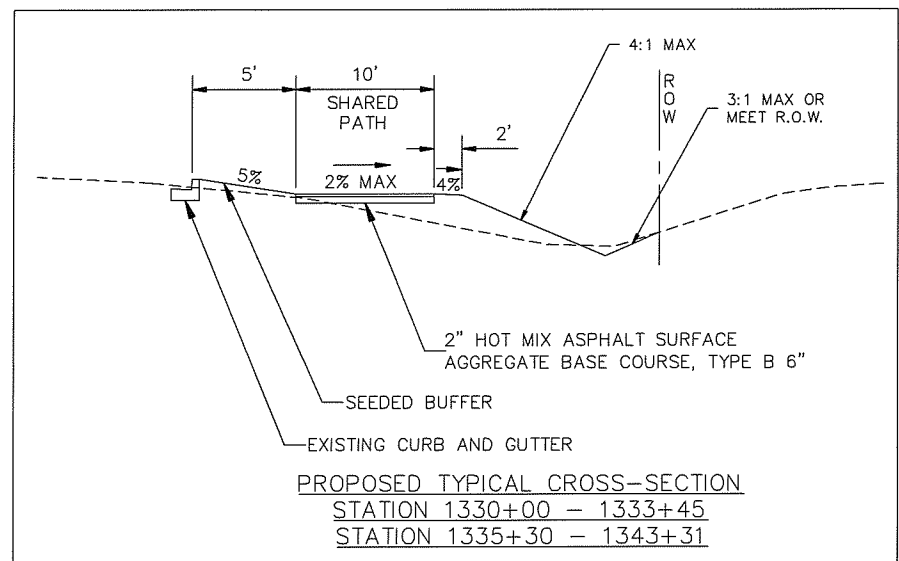
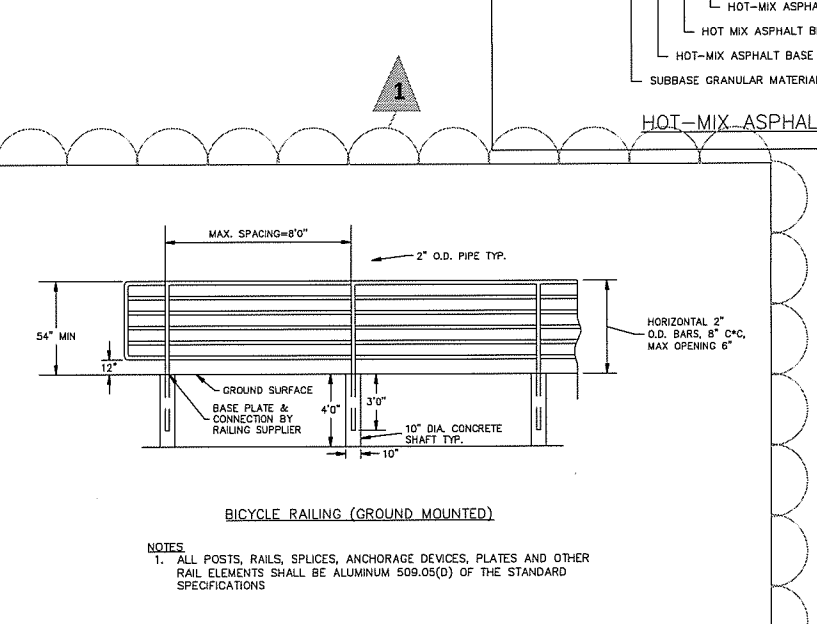
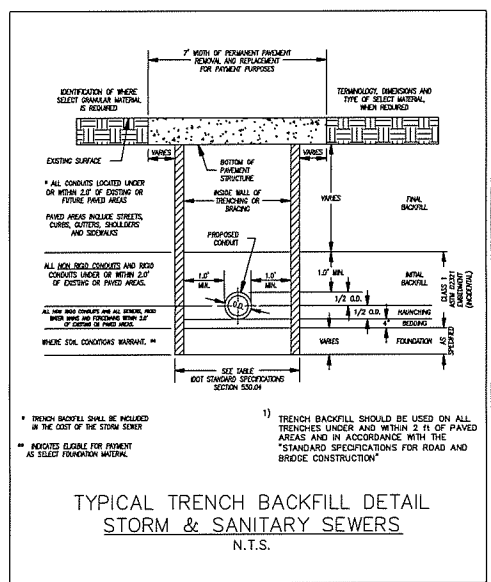
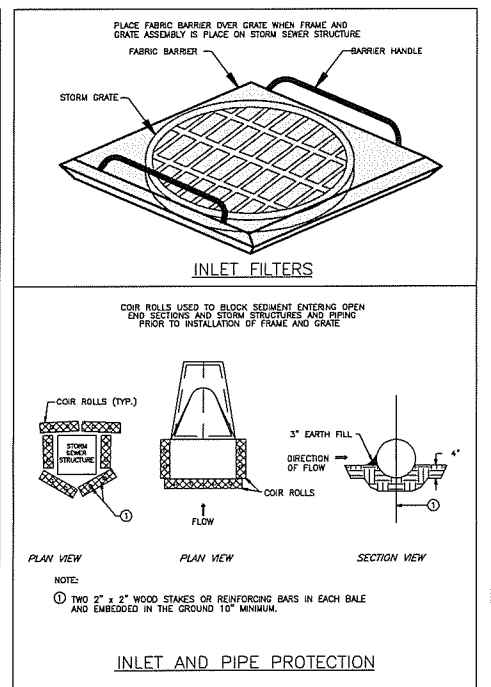


CONSTRUCTION TYPE CODE: 0028			
SUMMARY OF QUANTITIES			
ITEM NUMBER	ITEMS	UNIT	QUANTITY
20200100	EARTH EXCAVATION	CU YD	601
20800150	TRENCH BACKFILL	CU YD	104
21101505	TOPSOIL EXCAVATION AND PLACEMENT	CU YD	380
21101615	TOPSOIL FURNISH AND PLACE, 4"	SQ YD	4356
25000210	SEEDING, CLASS 2A	ACRE	0.9
25000400	NITROGEN FERTILIZER NUTRIENT	POUND	81
25000500	PHOSPHORUS FERTILIZER NUTRIENT	POUND	81
25000600	POTASSIUM FERTILIZER NUTRIENT	POUND	81
28000500	INLET AND PIPE PROTECTION	EACH	10
28000510	INLET FILTERS	EACH	4
28001100	TEMPORARY EROSION CONTROL BLANKET	SQ YD	4356
35101800	AGGREGATE BASE COURSE, TYPE B 6"	SQ YD	1241
40800050	INCIDENTAL HOT MIX ASPHALT SURFACING	TON	122
42400200	PORTLAND CEMENT CONCRETE SIDEWALK 5"	SQ FT	1031
42400800	DETECTABLE WARNINGS	SQ FT	160
44000500	COMBINATION CURB AND GUTTER REMOVAL	FOOT	60
44000600	SIDEWALK REMOVAL	SQ FT	53
44003100	MEDIAN REMOVAL	SQ FT	237
44200176	PAVEMENT PATCHING, TYPE 1, 15"	SQ YD	14
50800105	REINFORCEMENT BARS	POUND	100
50901760	PIPE HANDRAIL	FOOT	270
52200800	SEGMENTAL CONCRETE BLOCK WALL	SQ FT	811
54213657	PRECAST REINFORCED CONCRETE FLARED END SECTIONS 12"	EACH	1
54216180	REINFORCED CONCRETE PIPE TEE, 12" PIPE WITH 12" RISER	EACH	1
54248510	CONCRETE COLLAR	CU YD	1
550A0050	STORM SEWERS, CLASS A, TYPE 1 12"	FOOT	365
550A0090	STORM SEWERS, CLASS A, TYPE 1 18"	FOOT	510
550A0120	STORM SEWERS, CLASS A, TYPE 1 24"	FOOT	49
55100500	STORM SEWER REMOVAL 12"	FOOT	5
55100900	STORM SEWER REMOVAL 18"	FOOT	25
60218300	MANHOLES, TYPE A, 4'-DIAMETER, TYPE 1 FRAME, OPEN LID	EACH	4
60218400	MANHOLES, TYPE A, 4'-DIAMETER, TYPE 1 FRAME, CLOSED LID	EACH	2
60221100	MANHOLES, TYPE A, 5' DIAMETER, TYPE 1 FRAME, CLOSED LID	EACH	1
60236800	INLETS, TYPE A, TYPE 11 FRAME AND GRATE	EACH	1
60240215	INLETS, TYPE B, TYPE 1 FRAME, CLOSED LID	EACH	1
60240310	INLETS, TYPE B, TYPE 11 FRAME AND GRATE	EACH	2
60603800	COMBINATION CONCRETE CURB AND GUTTER, TYPE B-6.12	FOOT	254
60605000	COMBINATION CONCRETE CURB AND GUTTER, TYPE B-6.24	FOOT	78
66900200	NON-SPECIAL WASTE DISPOSAL	CU YDS	31
66900530	SOIL DISPOSAL ANALYSIS	EACH	3
66901001	REGULATED SUBSTANCES PRE-CONSTRUCTION PLAN	L SUM	1
66901003	REGULATED SUBSTANCES FINAL CONSTRUCTION REPORT	L SUM	1
66901006	REGULATED SUBSTANCES MONITORING	DAYS	4
67100100	MOBILIZATION	L SUM	1
70100350	TRAFFIC CONTROL AND PROTECTION, STANDARD 701101	EACH	1
70102632	TRAFFIC CONTROL AND PROTECTION, STANDARD 701602	L SUM	1
70102635	TRAFFIC CONTROL AND PROTECTION, STANDARD 701701	L SUM	1
72400710	RELOCATE SIGN PANEL - TYPE 1	SQ FT	4
78004230	PREFORMED PLASTIC PAVEMENT MARKING, TYPE B - INLAID - 6"	FOOT	581
78004250	PREFORMED PLASTIC PAVEMENT MARKING, TYPE B - INLAID - 12"	FOOT	204
78004280	PREFORMED PLASTIC PAVEMENT MARKING, TYPE B - INLAID - 24"	FOOT	98
78300201	PAVEMENT MARKING REMOVAL - GRINDING	SQ FT	200
81028210	UNDERGROUND CONDUIT, GALVANIZED STEEL, 2 1/2" DIA.	FOOT	31
81028360	UNDERGROUND CONDUIT, PVC, 2 1/2" DIA.	FOOT	81
85000200	MAINTENANCE OF EXISTING TRAFFIC SIGNAL INSTALLATION	EACH	3
87301215	ELECTRIC CABLE IN CONDUIT, SIGNAL NO. 14 2C	FOOT	756
87301225	ELECTRIC CABLE IN CONDUIT, SIGNAL NO. 14 3C	FOOT	756
87301245	ELECTRIC CABLE IN CONDUIT, SIGNAL NO. 14 5C	FOOT	250
87301900	ELECTRIC CABLE IN CONDUIT, EQUIPMENT GROUNDING CONDUCTOR, NO. 6 1C	FOOT	102
87502480	TRAFFIC SIGNAL POST, GALVANIZED STEEL 14 FT.	EACH	5
87502500	TRAFFIC SIGNAL POST, GALVANIZED STEEL 16 FT.	EACH	1
87800100	CONCRETE FOUNDATION, TYPE A	FOOT	20
87900200	DRILL EXISTING HANDHOLE	EACH	5
88102717	PEDESTRIAN SIGNAL HEAD, LED, 1?FACE, BRACKET MOUNTED WITH COUNTDOWN TIMER	EACH	8
89502375	REMOVE EXISTING TRAFFIC SIGNAL EQUIPMENT	EACH	3
89502376	REBUILD EXISTING HANDHOLE	EACH	1
X8760200	ACCESSIBLE PEDESTRIAN SIGNALS	EACH	8
X8950114	MODIFY EXISTING CONTROLLER AND CABINET	EACH	3
Z0013798	CONSTRUCTION LAYOUT	L SUM	1
Z0030850	TEMPORARY INFORMATION SIGNING	SQ FT	42
Z0033044	RE-OPTIMIZE TRAFFIC SIGNAL SYSTEM LEVEL 1	EACH	3

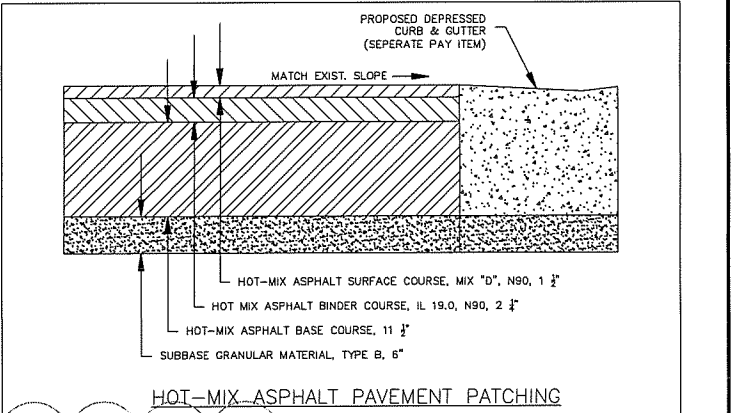
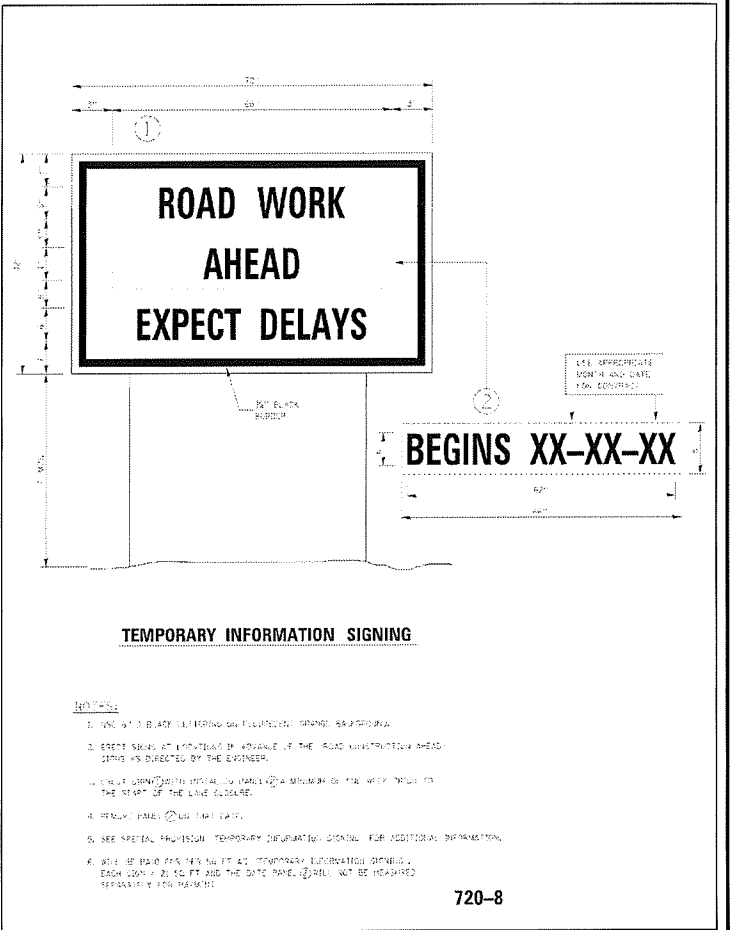


- GENERAL NOTES**
- ALL PROPOSED ELEVATIONS SHOWN ON THE PLANS ARE FINISHED SURFACE ELEVATIONS UNLESS OTHERWISE SPECIFIED.
 - PRIOR TO COMMENCING ANY FILL OPERATIONS IN PAVEMENT OR SHOULDER AREAS, ALL TOPSOIL IS TO BE REMOVED.
 - ALL FILLS SHALL BE COMPACTED LIFTS WITH A MAXIMUM THICKNESS OF 6 INCHES OR AS OTHERWISE SPECIFIED BY THE ENGINEER.
 - FINAL TOPSOIL THICKNESS IN LANDSCAPE AREAS SHALL BE A MINIMUM OF 4".
 - CONTRACTOR SHALL PROTECT ANY EXISTING LANDSCAPE ITEM, ANY DAMAGE SHALL BE REPLACED AT CONTRACTORS COST.
 - REMOVAL OF EXISTING END SECTIONS, HEADWALLS, STORM SEWER SECTIONS, OR SALVAGING EXISTING END SECTIONS SHALL BE INCLUDED IN THE COST FOR STORM SEWER.
 - CONTRACTORS SHALL PROTECT EXISTING PAVEMENT FROM DAMAGE, ANY DAMAGE SHALL BE REPLACED AT THE CONTRACTORS COST.
 - CONCRETE FLARED END SECTION REMOVAL SHALL BE INCLUDED IN COST OF PROPOSED STORM SEWER INSTALLATION.
 - CONCRETE COLLARS SHALL BE USED IN ALL EXTENSIONS OF EXISTING STORM SEWER
 - ALL CURB INLETS ALONG PATHWAY SHALL HAVE ADA COMPLIANT GRATE ON TYPE 11 FRAME



ROUTES	SECTION	COUNTY	TOTAL SHEETS	SHEET NO.
IL ROUTE 50 - F.A.P. 840 LARRY POWER ROAD	17-00098-00-BT	KANKAKEE	21	2

CONTRACT NO.: 87669



REVISIONS

DATE	BY	DESCRIPTION
1-5-2021	MAC	BID RFQ REVISION

MGA CIVIL ENGINEERING SURVEYING

M GINGERICH GEREUX & ASSOCIATES
Professional Design Firm License # 184.001808
P. 815-939-4921 www.mg2a.com F. 815-939-9810
240 N. INDUSTRIAL DRIVE | BRADLEY, IL 60915

ILLINOIS DEPARTMENT OF TRANSPORTATION
ITEP - ILLINOIS ROUTE 50 SHARED PATH
MALL ENTRANCE TO LARRY POWER ROAD

DETAILS

SCALE: DATE: 12/9/21 DRAWN BY: MDC CHECKED BY: JWG