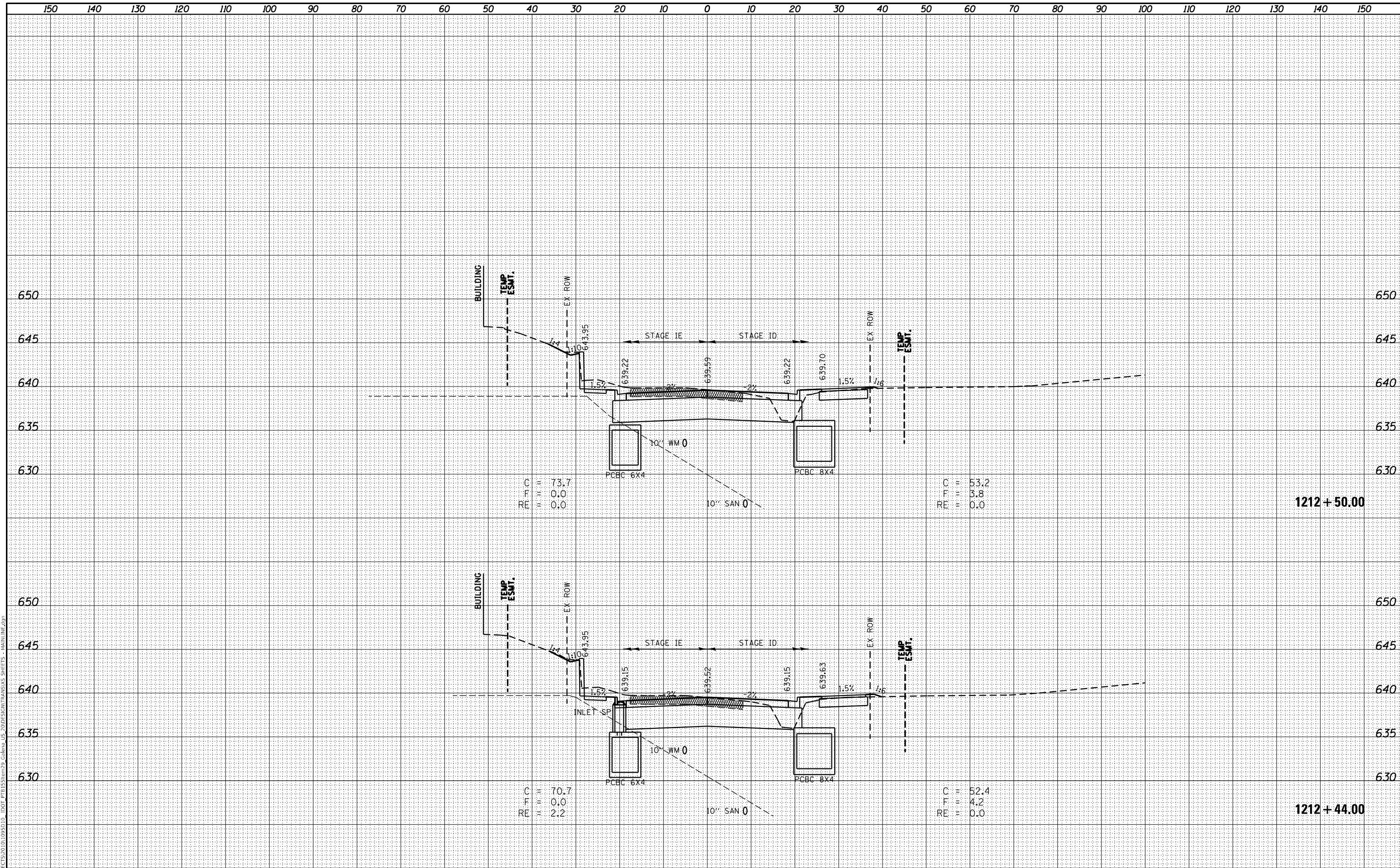


FINAL SURVEY	SURVEYED	DATE
NOTE BOOK	PLOTTED	
NO.	TEMPLATE	
	AREAS CHECKED	

ORIGINAL SURVEY	SURVEYED	DATE
NOTE BOOK	PLOTTED	
NO.	TEMPLATE	
	AREAS CHECKED	

MODEL: Definit
 FILE NAME: S:\PROJECTS\2010\095510 - IDOT PFB E-Stream\29_Gallena_US-20\DESIGN\TRANSXIS SHEETS - MAIN\1F_2010.dwg



C = 73.7
 F = 0.0
 RE = 0.0

C = 53.2
 F = 3.8
 RE = 0.0

C = 70.7
 F = 0.0
 RE = 2.2

C = 52.4
 F = 4.2
 RE = 0.0



USER NAME = mslick	DESIGNED - AMF	REVISED -
	DRAWN - TJA	REVISED -
PLOT SCALE = 240,0000' / ft.	CHECKED - GFS	REVISED -
PLOT DATE = 10/15/2021	DATE - 5/22/20	REVISED -

STATE OF ILLINOIS
DEPARTMENT OF TRANSPORTATION

IL RTE 84 / US 20
CROSS SECTIONS

SCALE: N / A SHEET 80 OF 199 SHEETS STA. 1212+44.00 TO STA. 1212+50.00

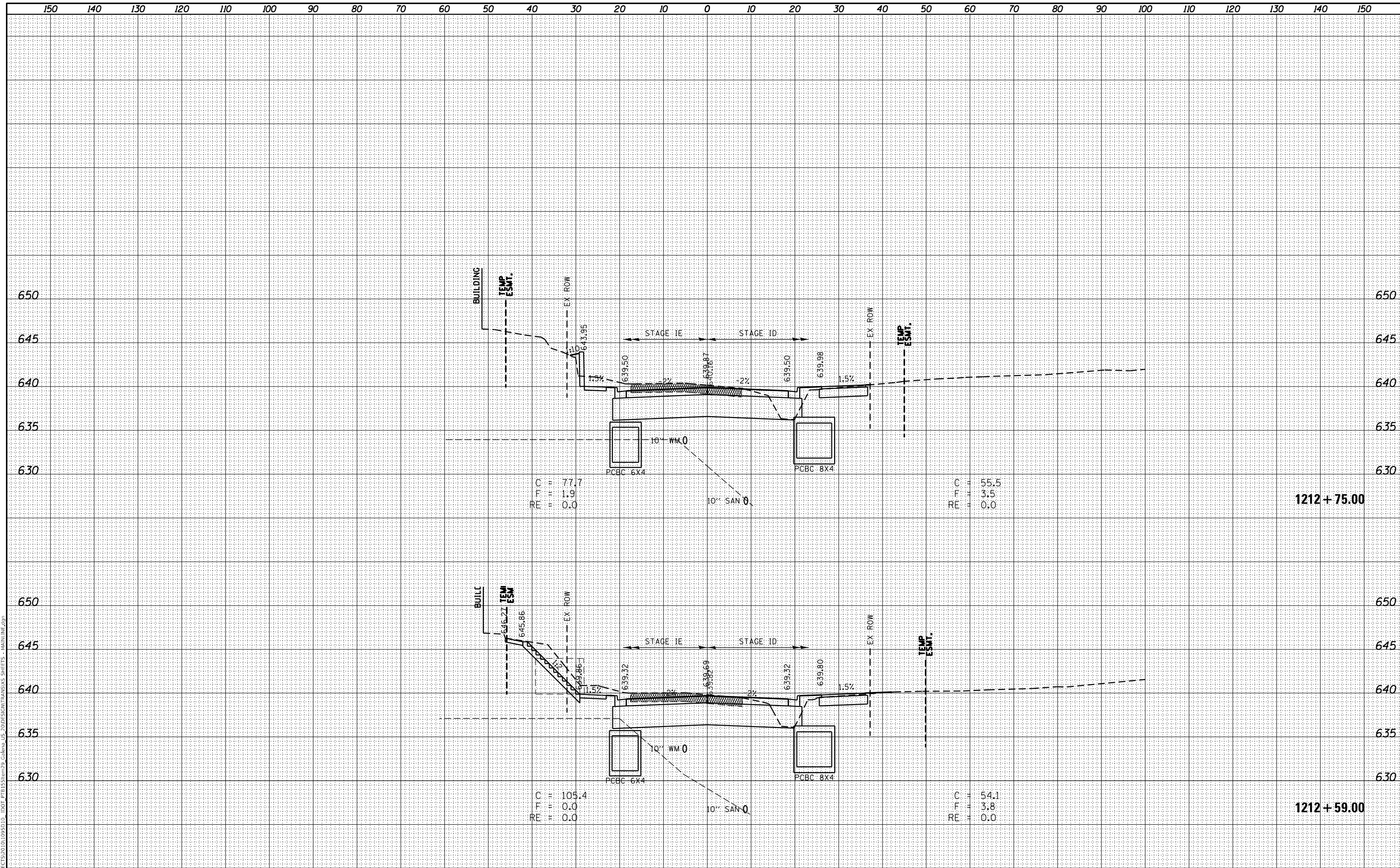
F.A.P. RTE.	SECTION	COUNTY	TOTAL SHEETS	SHEET NO.
301	29R-1	JO DAVIESS	679	502
			CONTRACT NO. 64880	

ILLINOIS FED. AID PROJECT

FINAL SURVEY NO.	SURVEYED	DATE
NOTE BOOK	PLOTTED	
AREAS CHECKED	TEMPLATE	
	AREAS CHECKED	

ORIGINAL SURVEY NO.	SURVEYED	DATE
NOTE BOOK	PLOTTED	
AREAS CHECKED	TEMPLATE	
	AREAS CHECKED	

MODEL: Definit
 FILE NAME: S:\PROJECTS\2010\095510 - IDOT P1B15\1212+59.00 - 1212+75.00\TRANSXS SHEETS - MAIN\1212+75.00.dwg



USER NAME = mslick	DESIGNED - AMF	REVISED -
	DRAWN - TJA	REVISED -
PLOT SCALE = 240,0000' / ft.	CHECKED - GFS	REVISED -
PLOT DATE = 10/15/2021	DATE - 5/22/20	REVISED -

**STATE OF ILLINOIS
DEPARTMENT OF TRANSPORTATION**

**IL RTE 84 / US 20
CROSS SECTIONS**

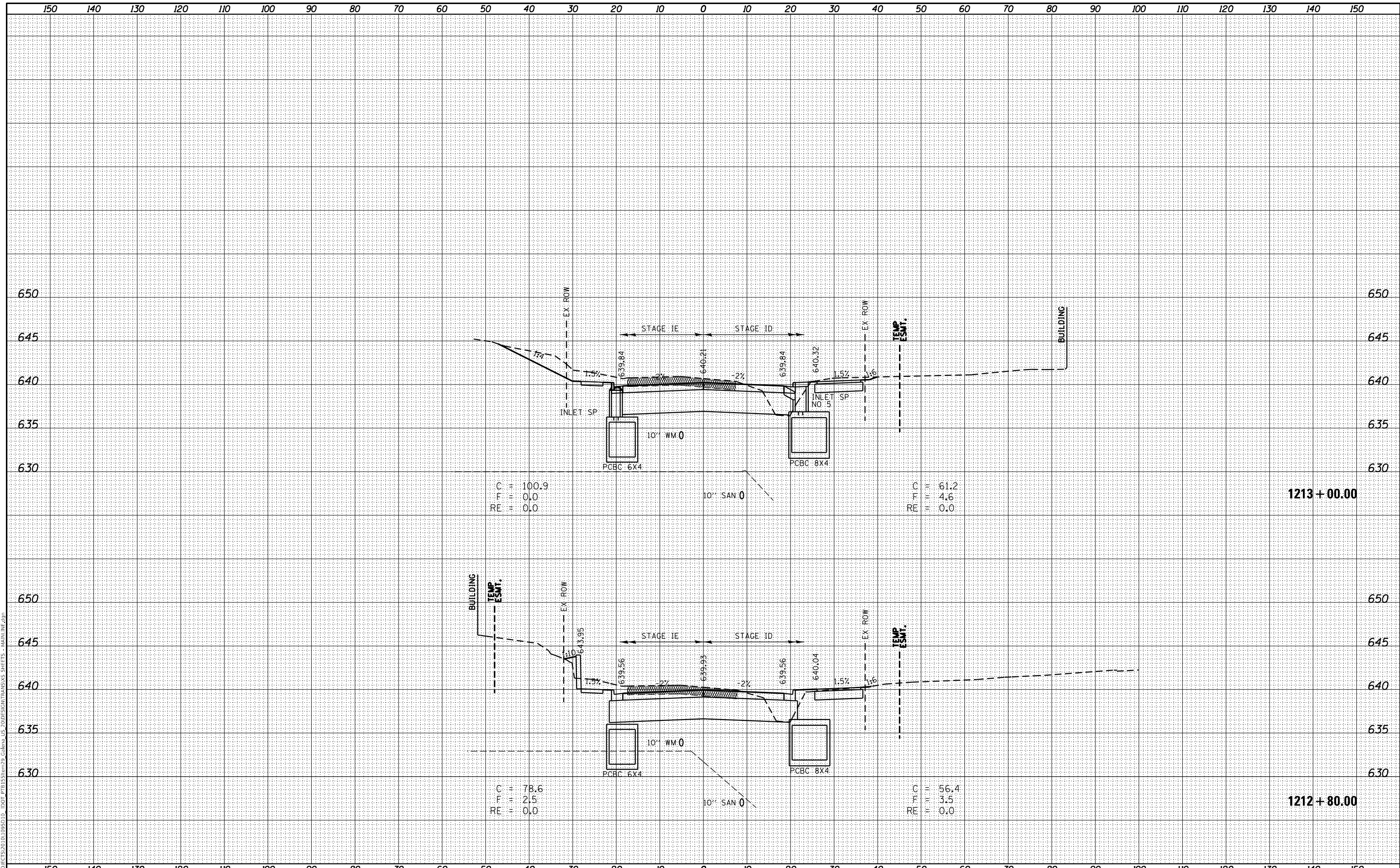
SCALE: N / A SHEET 81 OF 199 SHEETS STA. 1212+59.00 TO STA. 1212+75.00

F.A.P. RTE. 301	SECTION 29R-1	COUNTY JO DAVISS	TOTAL SHEETS 679	SHEET NO. 503
			CONTRACT NO. 64880	
ILLINOIS FED. AID PROJECT				

FINAL SURVEY NO.	SURVEYED	DATE
NOTE BOOK	PLOTTED	
AREAS CHECKED	TEMPLATE	
	AREAS CHECKED	

ORIGINAL SURVEY NO.	SURVEYED	DATE
NOTE BOOK	PLOTTED	
AREAS CHECKED	TEMPLATE	
	AREAS CHECKED	

MODEL: Definit
 FILE NAME: S:\PROJECTS\2010\095510 - IDOT PFB\ESTIM\29_Gallena_US-200\DESIGN\TRANSXS\SHEETS - MAIN\1F.dwg



C = 100.9
 F = 0.0
 RE = 0.0

C = 61.2
 F = 4.6
 RE = 0.0

1213 + 00.00

C = 78.6
 F = 2.5
 RE = 0.0

C = 56.4
 F = 3.5
 RE = 0.0

1212 + 80.00



USER NAME = mslick	DESIGNED - AMF	REVISED -
	DRAWN - TJA	REVISED -
PLOT SCALE = 240,0000' / ft.	CHECKED - GFS	REVISED -
PLOT DATE = 10/15/2021	DATE - 5/22/20	REVISED -

STATE OF ILLINOIS
 DEPARTMENT OF TRANSPORTATION

IL RTE 84 / US 20
 CROSS SECTIONS

SCALE: N / A SHEET 82 OF 199 SHEETS STA. 1212+80.00 TO STA. 1213+00.00

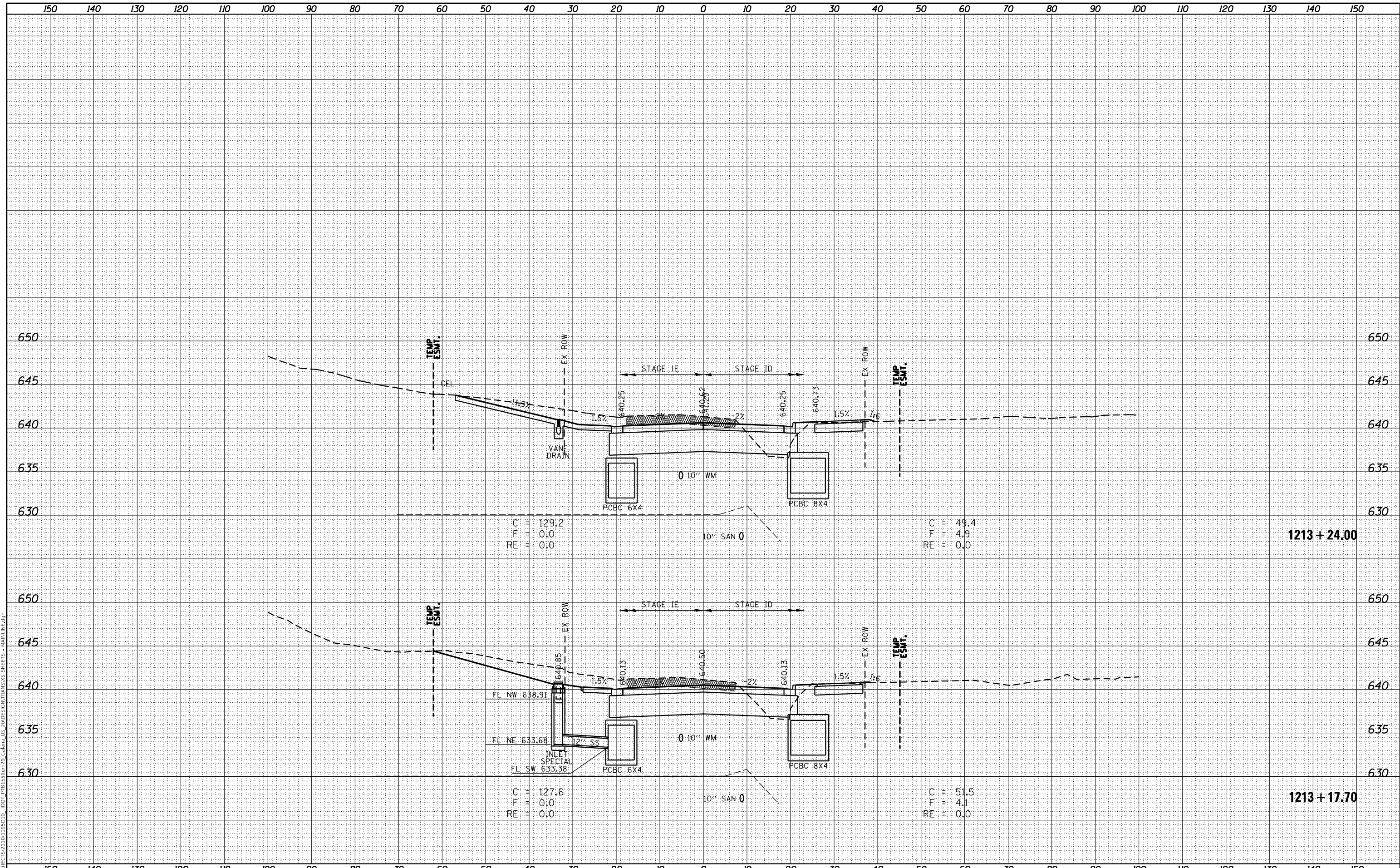
F.A.P. RTE.	SECTION	COUNTY	TOTAL SHEETS	SHEET NO.
301	29R-1	JO DAVIESS	679	504
			CONTRACT NO. 64880	

ILLINOIS FED. AID PROJECT

FINAL SURVEY NO.	SURVEYED	DATE
NOTE BOOK NO.	PLOTTED	
	TEMPLATE	
	AREAS CHECKED	

ORIGINAL SURVEY NO.	SURVEYED	DATE
NOTE BOOK NO.	PLOTTED	
	TEMPLATE	
	AREAS CHECKED	

MODEL: Definit
 FILE NAME: S:\PROJECTS\2010\095510 - IDOT PFB E-Stream\9_Gallena US 20\DOTSIGN\TRANSXS SHEETS - MAIN\116.dwg



C = 129.2
 F = 0.0
 RE = 0.0

C = 49.4
 F = 4.9
 RE = 0.0

C = 127.6
 F = 0.0
 RE = 0.0

C = 51.5
 F = 4.1
 RE = 0.0



USER NAME = mslick	DESIGNED - AMF	REVISED -
	DRAWN - TJA	REVISED -
PLOT SCALE = 240,000' / ft.	CHECKED - GFS	REVISED -
PLOT DATE = 10/15/2021	DATE - 5/22/20	REVISED -

**STATE OF ILLINOIS
 DEPARTMENT OF TRANSPORTATION**

**IL RTE 84 / US 20
 CROSS SECTIONS**

SCALE: N / A SHEET 83 OF 199 SHEETS STA. 1213+17.70 TO STA. 1213+24.00

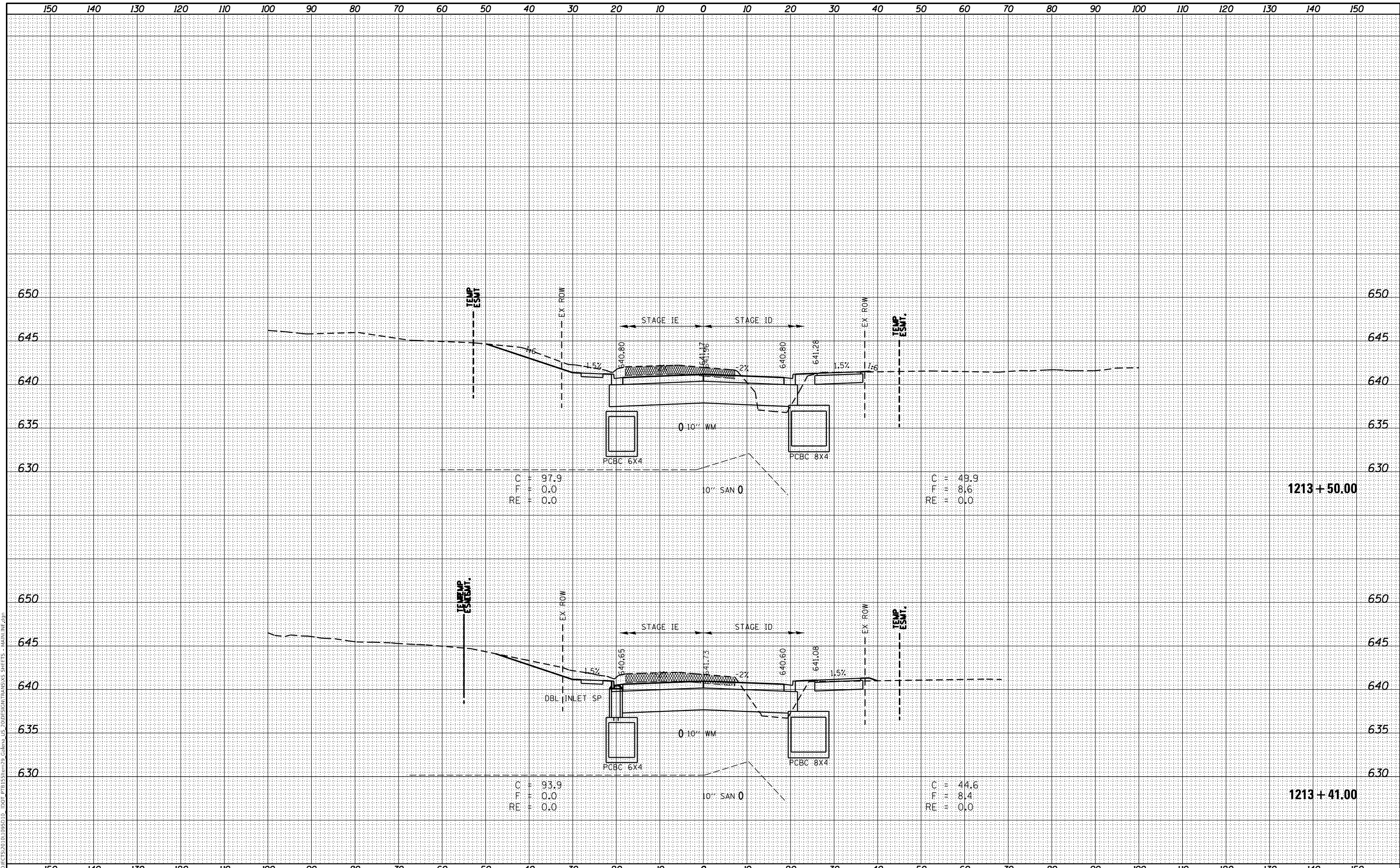
F.A.P. RTE.	SECTION	COUNTY	TOTAL SHEETS	SHEET NO.
301	29R-1	JO DAVIESS	679	505
			CONTRACT NO. 64880	

ILLINOIS FED. AID PROJECT

FINAL SURVEY NO.	SURVEYED	DATE
NOTE BOOK	PLOTTED	
AREAS CHECKED	TEMPLATE	
	AREAS CHECKED	

ORIGINAL SURVEY NO.	SURVEYED	DATE
NOTE BOOK	PLOTTED	
AREAS CHECKED	TEMPLATE	
	AREAS CHECKED	

MODEL: Definit
 FILE NAME: S:\PROJECTS\2010\095510 - IDOT PFB E-Stream\9_Galena US 20\DESIGN\TRANSXS SHEETS - MAIN\1F_210.dwg



USER NAME = mslick	DESIGNED - AMF	REVISED -
	DRAWN - TJA	REVISED -
PLOT SCALE = 240,0000' / ft.	CHECKED - GFS	REVISED -
PLOT DATE = 10/15/2021	DATE - 5/22/20	REVISED -

**STATE OF ILLINOIS
DEPARTMENT OF TRANSPORTATION**

**IL RTE 84 / US 20
CROSS SECTIONS**

SCALE: N / A SHEET 84 OF 199 SHEETS STA. 1213+41.00 TO STA. 1213+50.00

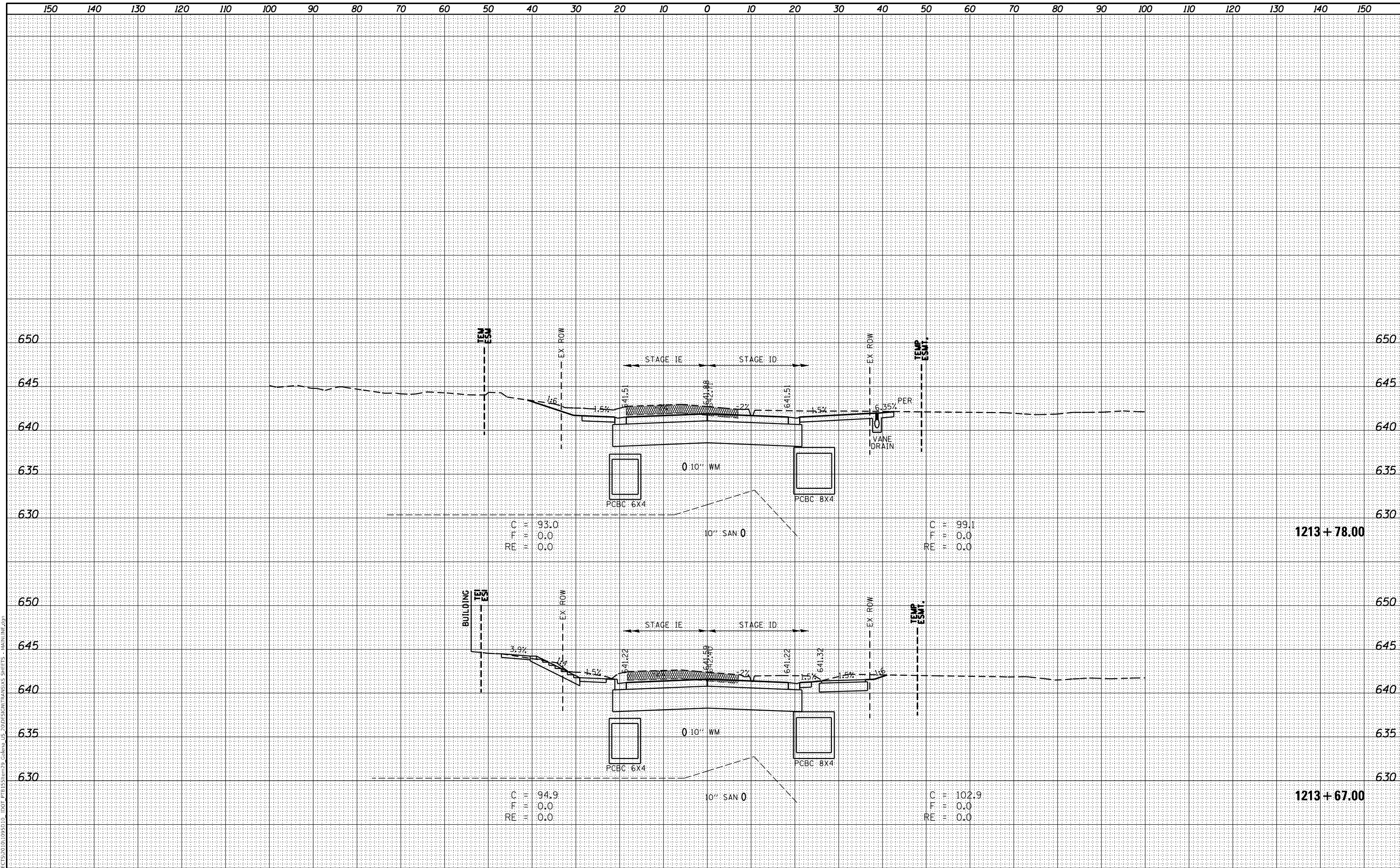
F.A.P. RTE.	SECTION	COUNTY	TOTAL SHEETS	SHEET NO.
301	29R-1	JO DAVIESS	679	506
			CONTRACT NO. 64880	

ILLINOIS FED. AID PROJECT

FINAL SURVEY NO.	SURVEYED	DATE
NOTE BOOK	PLOTTED	
AREAS CHECKED	TEMPLATE	
	AREAS CHECKED	

ORIGINAL SURVEY NO.	SURVEYED	DATE
NOTE BOOK	PLOTTED	
AREAS CHECKED	TEMPLATE	
	AREAS CHECKED	

MODEL: Default
 FILE NAME: S:\PROJECTS\2010\095510 - IDOT PFB\ESTIM99_Gallena_US-200\DESIGN\TRANSXS SHEETS - MAIN\1F.dwg



USER NAME = mslick	DESIGNED - AMF	REVISED -
	DRAWN - TJA	REVISED -
PLOT SCALE = 240,0000' / ft.	CHECKED - GFS	REVISED -
PLOT DATE = 10/15/2021	DATE - 5/22/20	REVISED -

**STATE OF ILLINOIS
DEPARTMENT OF TRANSPORTATION**

**IL RTE 84 / US 20
CROSS SECTIONS**

SCALE: N / A SHEET 85 OF 199 SHEETS STA. 1213+67.00 TO STA. 1213+78.00

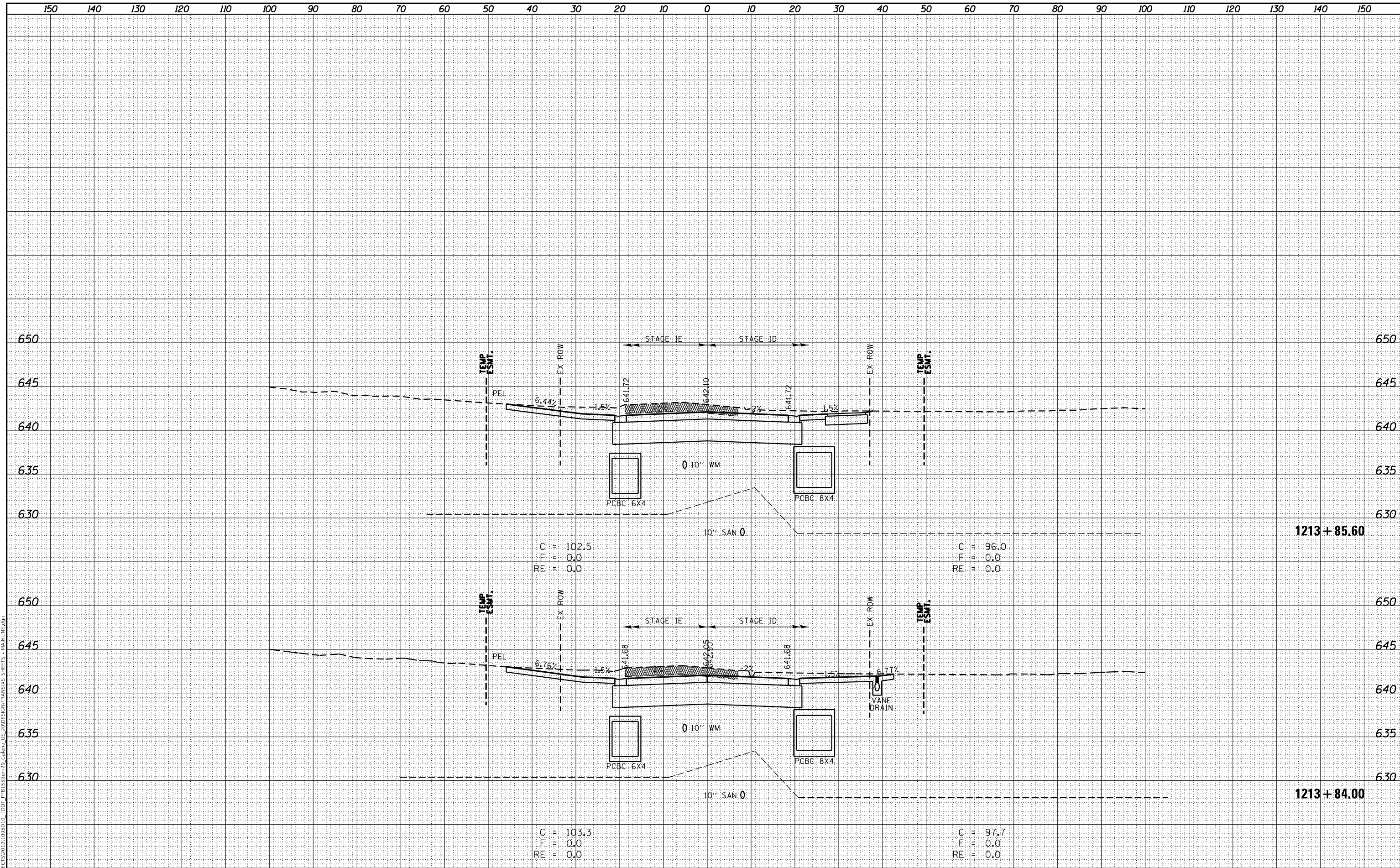
F.A.P. RTE.	SECTION	COUNTY	TOTAL SHEETS	SHEET NO.
301	29R-1	JO DAVIESS	679	507
				CONTRACT NO. 64880

ILLINOIS FED. AID PROJECT

FINAL SURVEY NO.	SURVEYED	DATE
NOTE BOOK	PLOTTED	
AREAS CHECKED	TEMPLATE	
	AREAS CHECKED	

ORIGINAL SURVEY NO.	SURVEYED	DATE
NOTE BOOK	PLOTTED	
AREAS CHECKED	TEMPLATE	
	AREAS CHECKED	

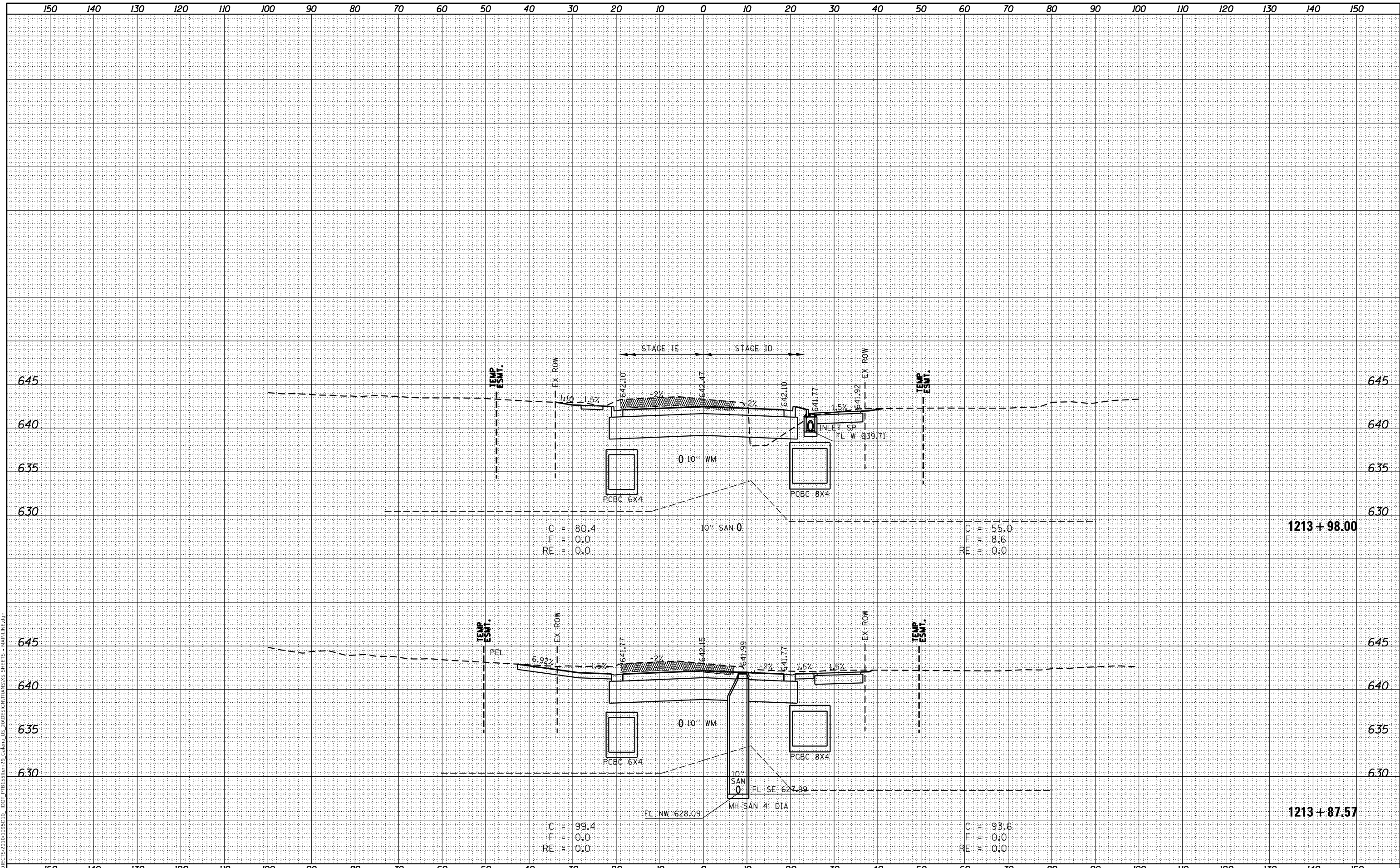
MODEL: Definit
 FILE NAME: S:\PROJECTS\2010\095510 - IDOT PFB\515151299_Galena US 200\DESIGN\TRANSXIS SHEETS - MAIN\116.dwg



FINAL SURVEY NO.	SURVEYED	DATE
NOTE BOOK	PLOTTED	
AREAS CHECKED	TEMPLATE	
	AREAS CHECKED	

ORIGINAL SURVEY NO.	SURVEYED	DATE
NOTE BOOK	PLOTTED	
AREAS CHECKED	TEMPLATE	
	AREAS CHECKED	

MODEL: Definit
 FILE NAME: S:\PROJECTS\2010\095510 - IDOT PFB\ESTIM99_Galena_US-200PDSIGNTRANSXS SHEETS - MAIN\1F.dgn



WILLET HOFMANN ASSOCIATES INC.
 ENGINEERING ARCHITECTURE LAND SURVEYING
 809 EAST 2ND STREET, CHICAGO, IL 60601-2087
 T: 312-284-4330 F: 312-284-4099

USER NAME = mslick	DESIGNED - AMF	REVISED -
	DRAWN - TJA	REVISED -
PLOT SCALE = 240,0000' / ft.	CHECKED - GFS	REVISED -
PLOT DATE = 10/15/2021	DATE - 5/22/20	REVISED -

**STATE OF ILLINOIS
 DEPARTMENT OF TRANSPORTATION**

**IL RTE 84 / US 20
 CROSS SECTIONS**

SCALE: N / A SHEET 87 OF 199 SHEETS STA. 1213+87.57 TO STA. 1213+98.00

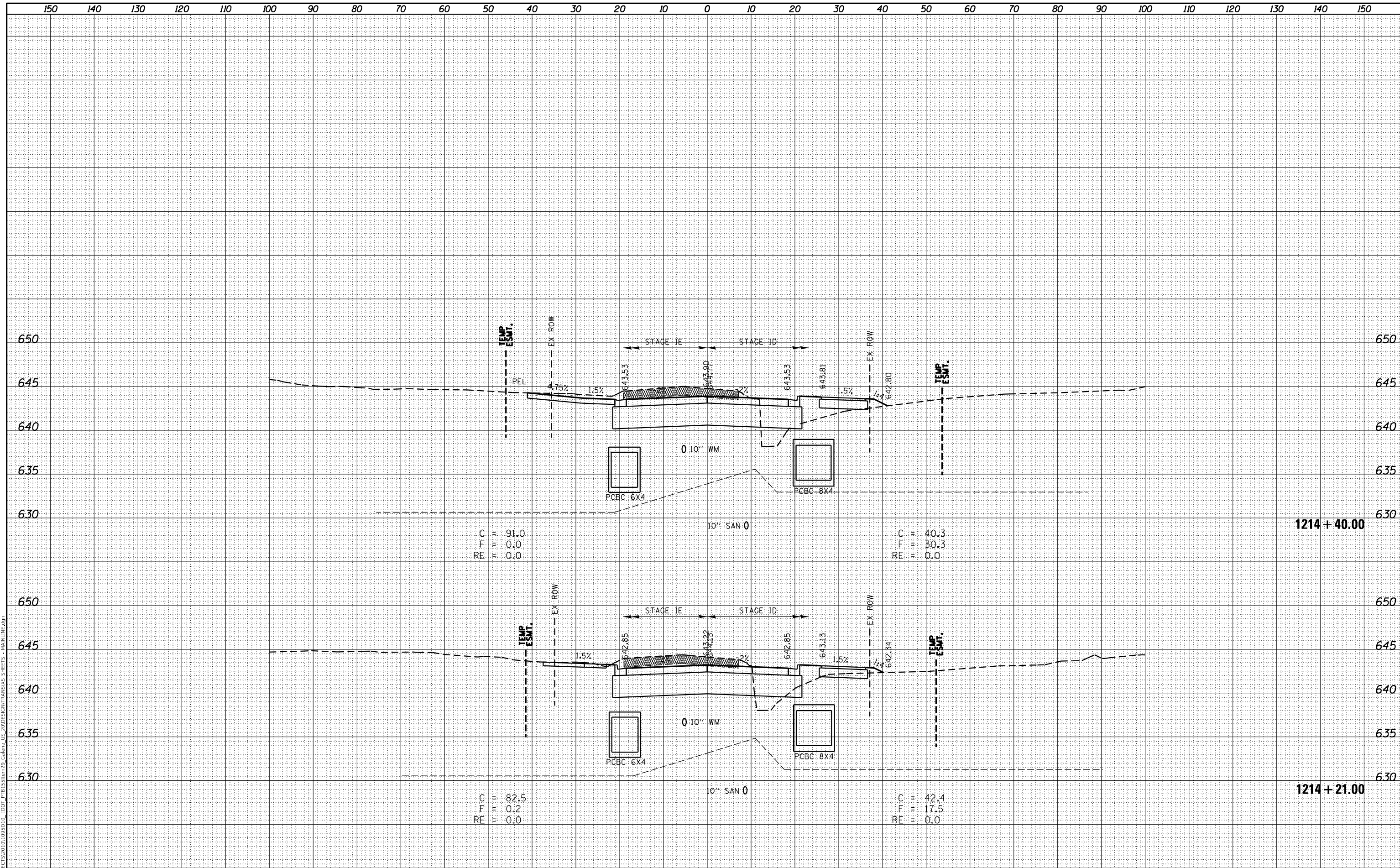
F.A.P. RTE. 301	SECTION 29R-1	COUNTY JO DAVIESS	TOTAL SHEETS 679	SHEET NO. 509
			CONTRACT NO. 64880	

ILLINOIS FED. AID PROJECT

FINAL SURVEY NO.	SURVEYED	DATE
NOTE BOOK	PLOTTED	
	TEMPLATE	
	AREAS CHECKED	

ORIGINAL SURVEY NO.	SURVEYED	DATE
	PLOTTED	
	TEMPLATE	
	AREAS CHECKED	

MODEL: Definit
 FILE NAME: S:\PROJECTS\2010\095510 - IDOT PFB\ESTIM\29_Galena_US-20\DESIGN\TRANS\XSS SHEETS - MAIN\1F.dwg



USER NAME = mslick	DESIGNED - AMF	REVISD -
	DRAWN - TJA	REVISD -
PLOT SCALE = 240,0000' / ft.	CHECKED - GFS	REVISD -
PLOT DATE = 10/15/2021	DATE - 5/22/20	REVISD -

**STATE OF ILLINOIS
DEPARTMENT OF TRANSPORTATION**

**IL RTE 84 / US 20
CROSS SECTIONS**

SCALE: N / A SHEET 89 OF 199 SHEETS STA. 1214+21.00 TO STA. 1214+40.00

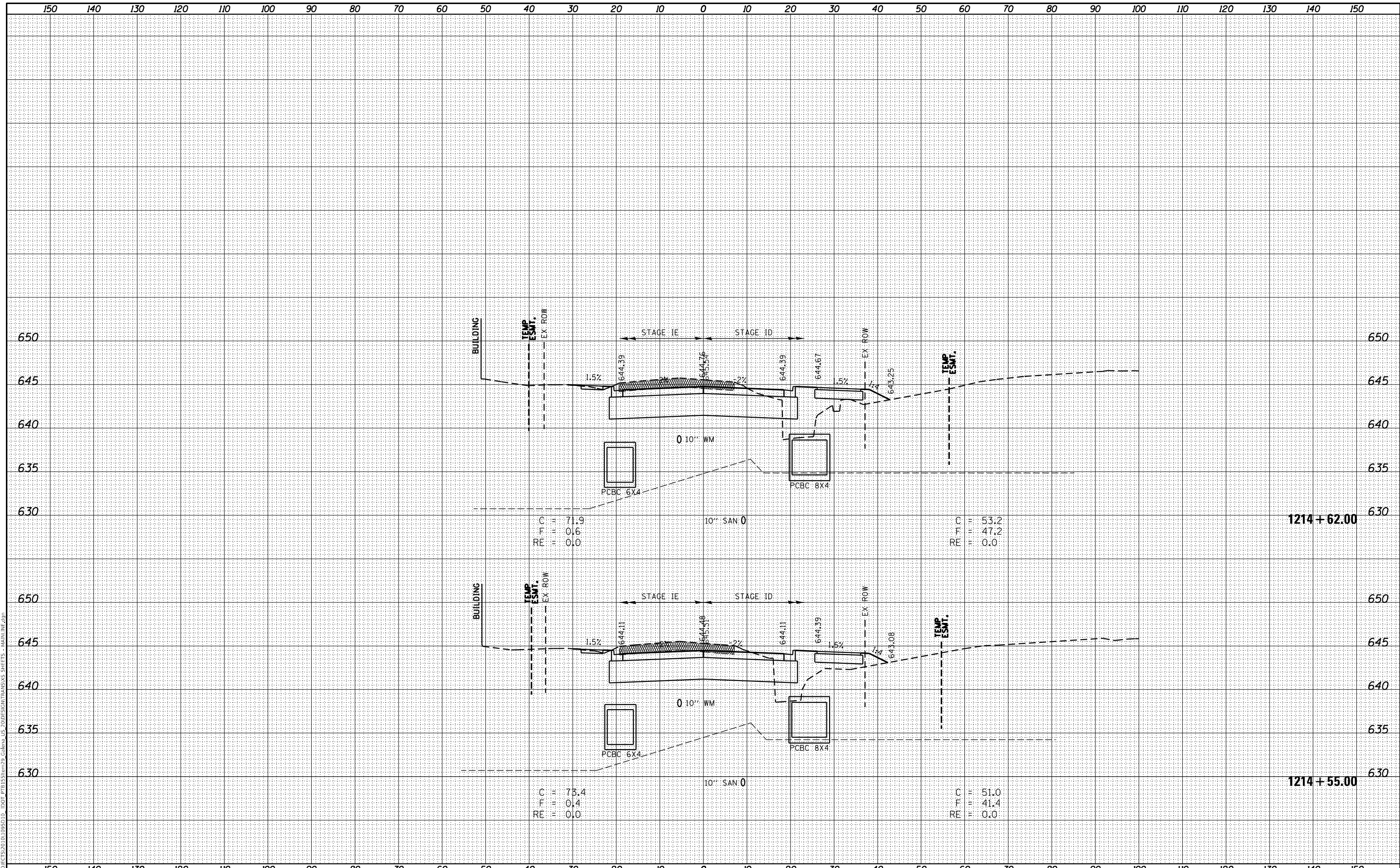
F.A.P. RTE. 301	SECTION 29R-1	COUNTY JO DAVISS	TOTAL SHEETS 679	SHEET NO. 511
			CONTRACT NO. 64880	

ILLINOIS FED. AID PROJECT

FINAL SURVEY NO.	SURVEYED	DATE
NOTE BOOK	PLOTTED	
	TEMPLATE	
	AREAS CHECKED	

ORIGINAL SURVEY NO.	SURVEYED	DATE
NOTE BOOK	PLOTTED	
	TEMPLATE	
	AREAS CHECKED	

MODEL: Definit
 FILE NAME: S:\PROJECTS\2010\095510 - IDOT PFB\ESTIM\29_Gallena_US-200\DESIGN\TRANSXS SHEETS - MAIN\1F_2010.dwg



USER NAME = mslick	DESIGNED - AMF	REVISED -
	DRAWN - TJA	REVISED -
PLOT SCALE = 240,0000' / ft.	CHECKED - GFS	REVISED -
PLOT DATE = 10/15/2021	DATE - 5/22/20	REVISED -

**STATE OF ILLINOIS
 DEPARTMENT OF TRANSPORTATION**

**IL RTE 84 / US 20
 CROSS SECTIONS**

SCALE: N / A SHEET 90 OF 199 SHEETS STA. 1214+55.00 TO STA. 1214+62.00

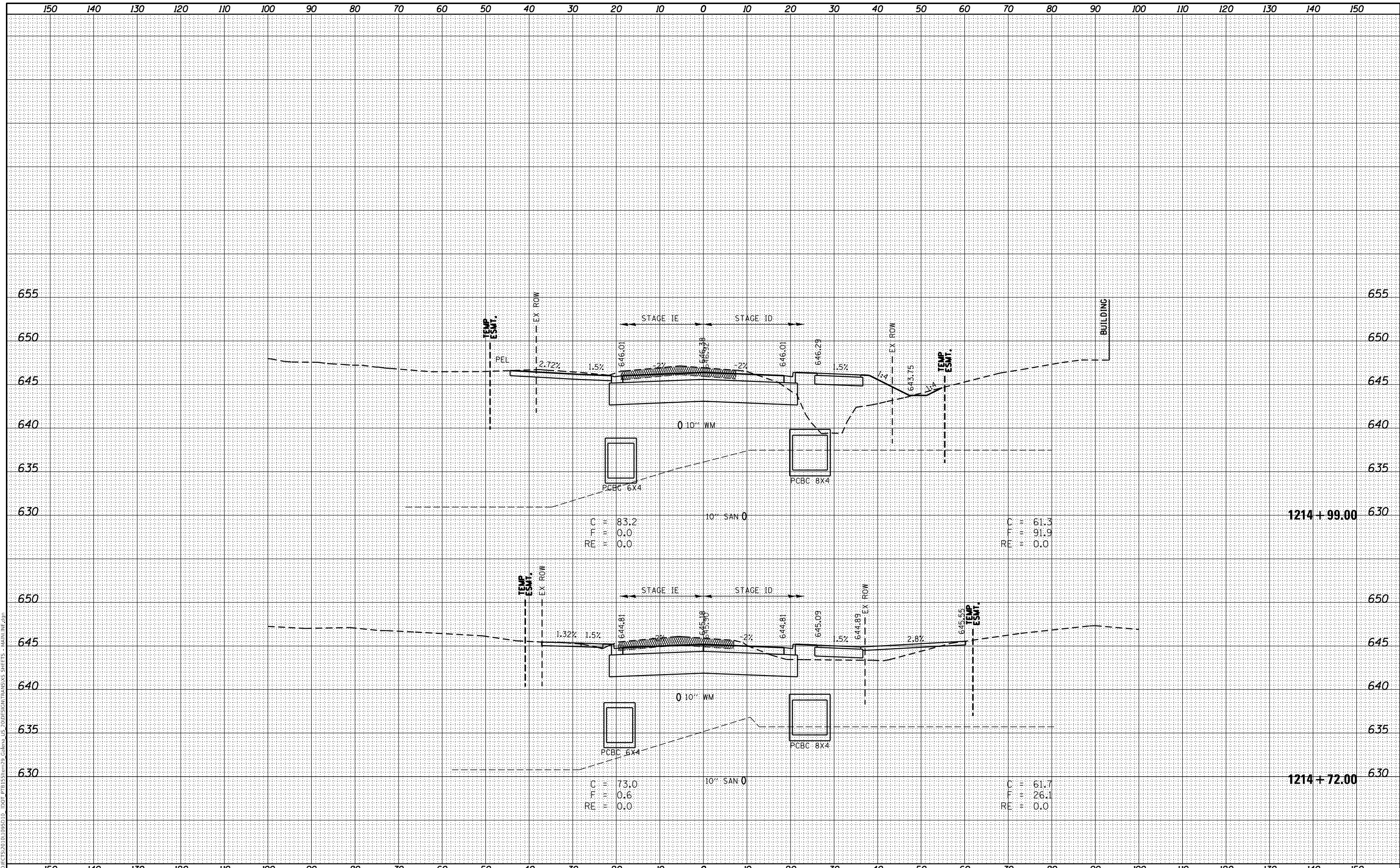
F.A.P. RTE. 301	SECTION 29R-1	COUNTY JO DAVIESS	TOTAL SHEETS 679	SHEET NO. 512
			CONTRACT NO. 64880	

ILLINOIS FED. AID PROJECT

DATE	
BY	
FINAL SURVEY	SURVEYED
NOTE BOOK	PLOTTED
NO.	TEMPLATE
	AREAS CHECKED

DATE	
BY	
ORIGINAL SURVEY	SURVEYED
NOTE BOOK	PLOTTED
NO.	TEMPLATE
	AREAS CHECKED

MODEL: Definit
 FILE NAME: S:\PROJECTS\2010\095510 - IDOT PFB\ESTIM\29 Galena US 20\DESIGN\TRANSXS SHEETS - MAIN\1F.dwg



USER NAME	= mslick
DESIGNED	- AMF
DRAWN	- TJA
CHECKED	- GFS
DATE	- 5/22/20
PLOT SCALE	= 240,0000' / ft.
PLOT DATE	= 10/15/2021

REVISD	-
REVISD	-
REVISD	-
REVISD	-

**STATE OF ILLINOIS
DEPARTMENT OF TRANSPORTATION**

**IL RTE 84 / US 20
CROSS SECTIONS**

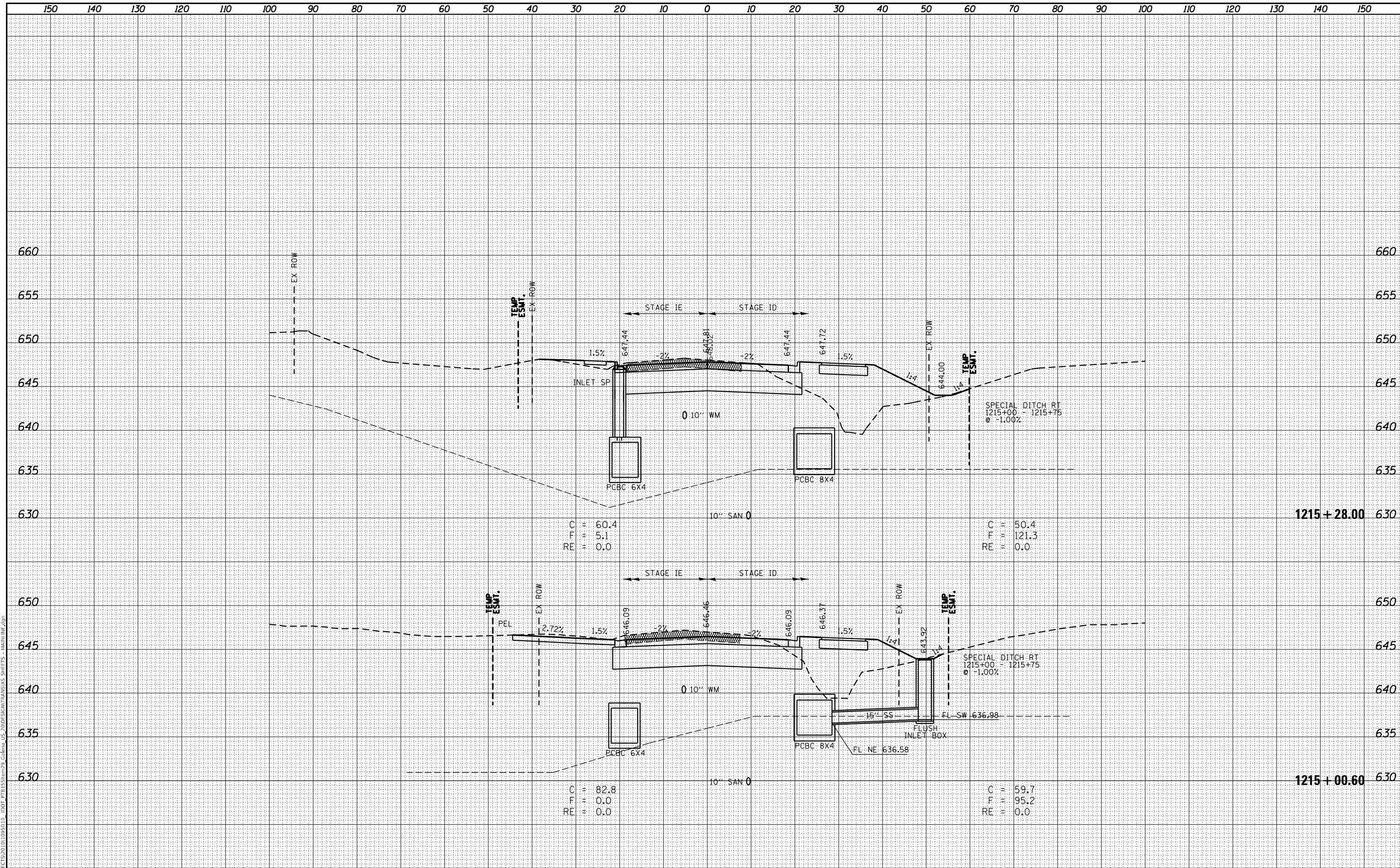
SCALE: N / A SHEET 91 OF 199 SHEETS STA. 1214+72.00 TO STA. 1214+99.00

F.A.P. RTE.	SECTION	COUNTY	TOTAL SHEETS	SHEET NO.
301	29R-1	JO DAVISSL	679	513
				CONTRACT NO. 64880
ILLINOIS FED. AID PROJECT				

DATE	
BY	
FINAL SURVEY	SURVEYED
NOTE BOOK	PLOTTED
NO.	TEMPLATE
	AREAS CHECKED
	AREAS CHECKED

DATE	
BY	
ORIGINAL SURVEY	SURVEYED
NOTE BOOK	PLOTTED
NO.	TEMPLATE
	AREAS CHECKED
	AREAS CHECKED

MODEL: Definit
 FILE NAME: S:\PROJECTS\2010\095510 - IDOT PFB\ESTIM\29_Galena US 200\DESIGN\TRANS\XSS SHEETS - MAIN\1F.dwg



USER NAME	= mslick
DESIGNED	- AMF
DRAWN	- TJA
CHECKED	- GFS
DATE	- 5/22/20
PLOT SCALE	= 240,0000' / ft.
PLOT DATE	= 10/15/2021

REVISED	-
REVISED	-
REVISED	-
REVISED	-

**STATE OF ILLINOIS
DEPARTMENT OF TRANSPORTATION**

**IL RTE 84 / US 20
CROSS SECTIONS**

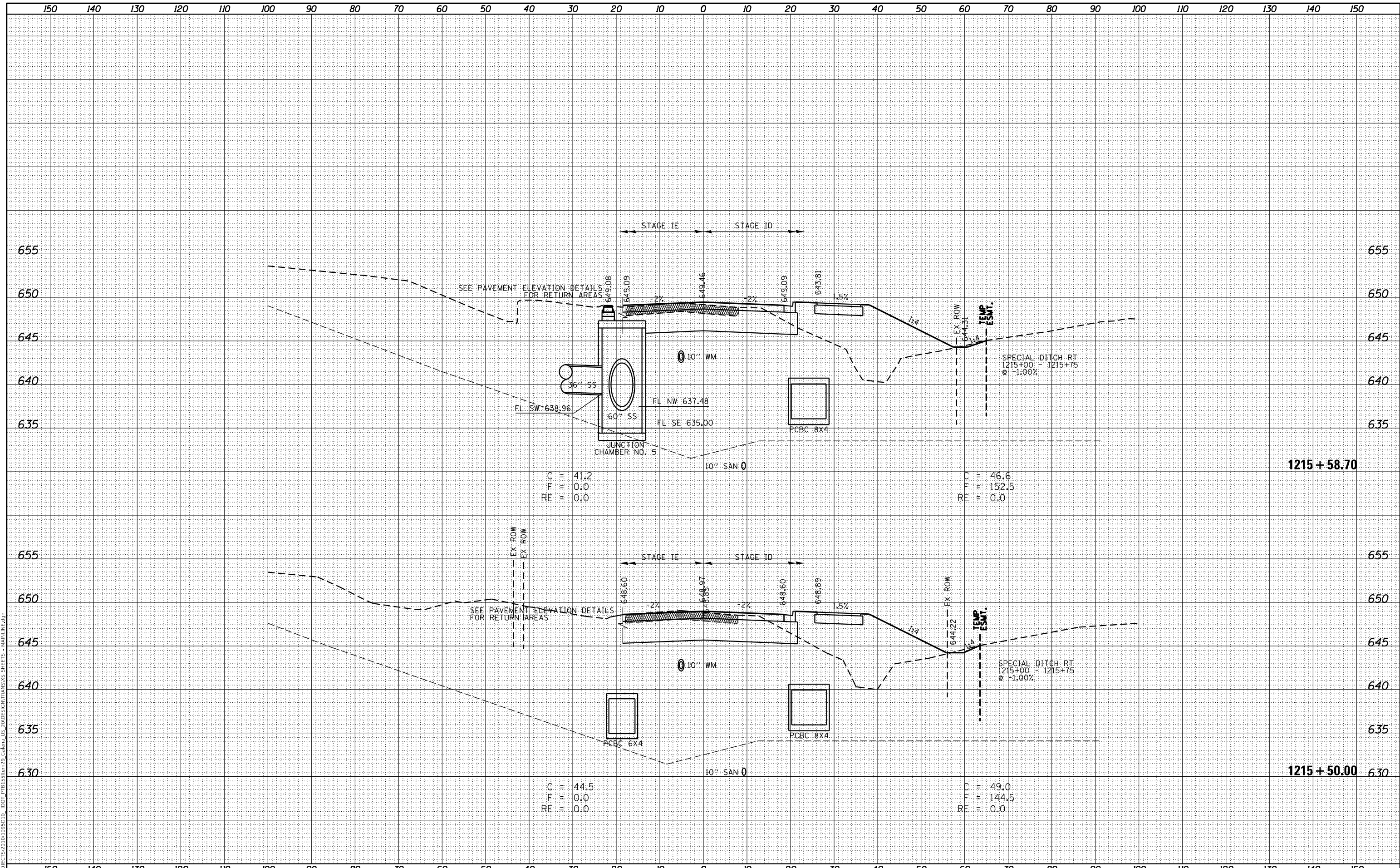
SCALE: N / A SHEET 92 OF 199 SHEETS STA. 1215+00.60 TO STA. 1215+28.00

F.A.P. RTE.	SECTION	COUNTY	TOTAL SHEETS	SHEET NO.
301	29R-1	JO DAVISSL	679	514
				CONTRACT NO. 64880
ILLINOIS FED. AID PROJECT				

DATE	
BY	
FINAL SURVEY	SURVEYED
NOTE BOOK	PLOTTED
NO.	TEMPLATE
	AREAS CHECKED

DATE	
BY	
ORIGINAL SURVEY	SURVEYED
NOTE BOOK	PLOTTED
NO.	TEMPLATE
	AREAS CHECKED

MODEL: Definit
 FILE NAME: S:\PROJECTS\2010\095510 - IDOT PFB\ESTIM\29_Galena_US-20\DESIGN\TRANS\XSS SHEETS - MAIN\16.dwg



C = 41.2
 F = 0.0
 RE = 0.0

C = 46.6
 F = 152.5
 RE = 0.0

C = 44.5
 F = 0.0
 RE = 0.0

C = 49.0
 F = 144.5
 RE = 0.0



USER NAME = mslick	DESIGNED - AMF	REVISED -
	DRAWN - TJA	REVISED -
PLOT SCALE = 240,0000' / ft.	CHECKED - GFS	REVISED -
PLOT DATE = 10/15/2021	DATE - 5/22/20	REVISED -

**STATE OF ILLINOIS
 DEPARTMENT OF TRANSPORTATION**

**IL RTE 84 / US 20
 CROSS SECTIONS**

SCALE: N / A SHEET 93 OF 199 SHEETS STA. 1215+50.00 TO STA. 1215+58.70

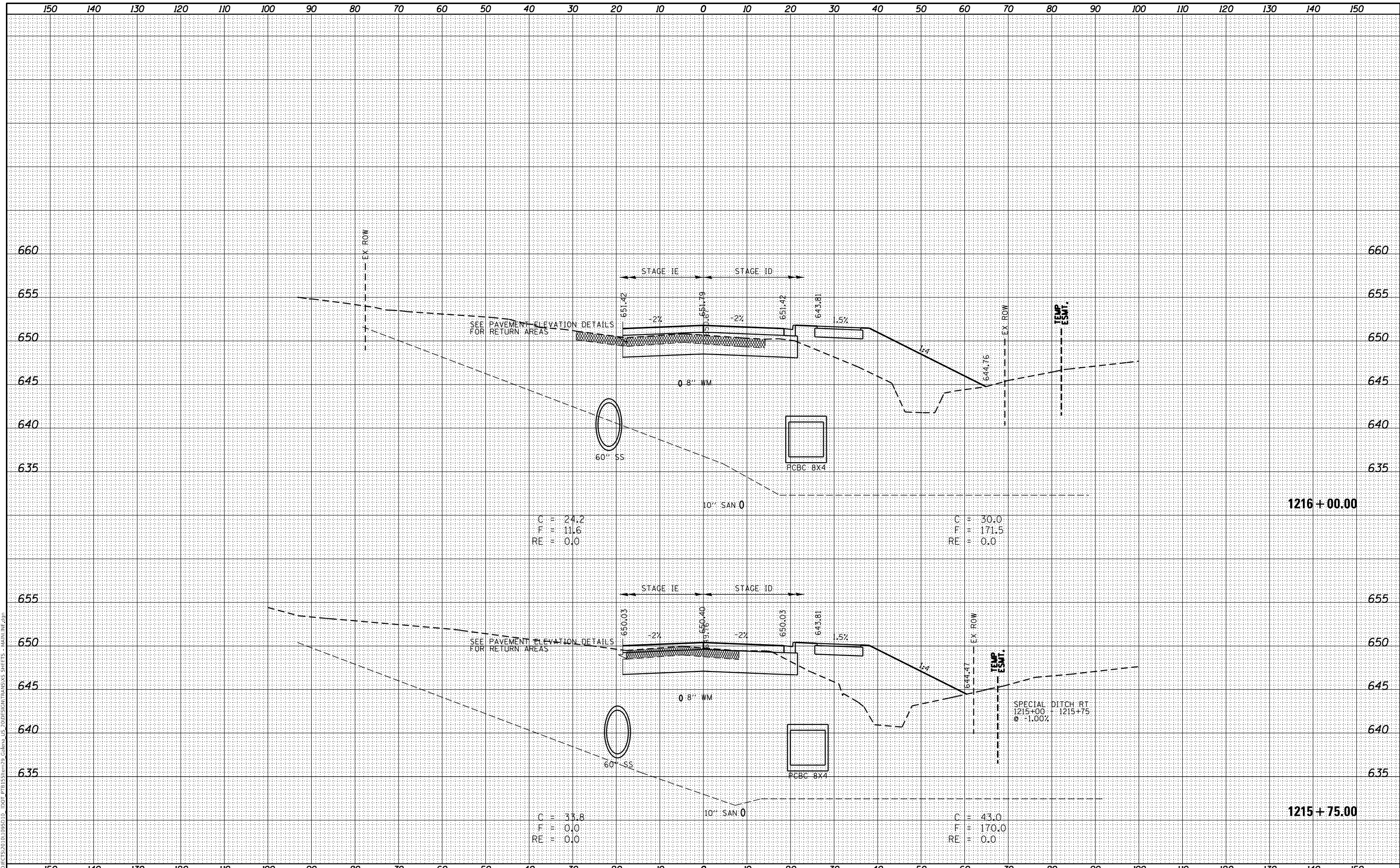
F.A.P. RTE.	SECTION	COUNTY	TOTAL SHEETS	SHEET NO.
301	29R-1	JO DAVIESS	679	515
				CONTRACT NO. 64880

ILLINOIS FED. AID PROJECT

DATE	
BY	
FINAL SURVEY	SURVEYED
NOTE BOOK	PLOTTED
NO.	TEMPLATE
	AREAS CHECKED
	AREAS CHECKED

DATE	
BY	
ORIGINAL SURVEY	SURVEYED
NOTE BOOK	PLOTTED
NO.	TEMPLATE
	AREAS CHECKED
	AREAS CHECKED

MODEL: Definit
 FILE NAME: S:\PROJECTS\2010\095510 - IDOT PFB\ESTIM\29_Galena_US-20\DESIGN\TRANS\XSS SHEETS - MAIN\INF.dgn



WILLET HOFMANN ASSOCIATES INC.
 ENGINEERING ARCHITECTURE LAND SURVEYING
 809 EAST 2ND STREET, DEKalb, IL 61021-0387
 T: 815-284-1330 F: 815-284-0998

USER NAME = mslick	DESIGNED - AMF	REVISD -
	DRAWN - TJA	REVISD -
PLOT SCALE = 240,0000' / ft.	CHECKED - GFS	REVISD -
PLOT DATE = 10/15/2021	DATE - 5/22/20	REVISD -

**STATE OF ILLINOIS
 DEPARTMENT OF TRANSPORTATION**

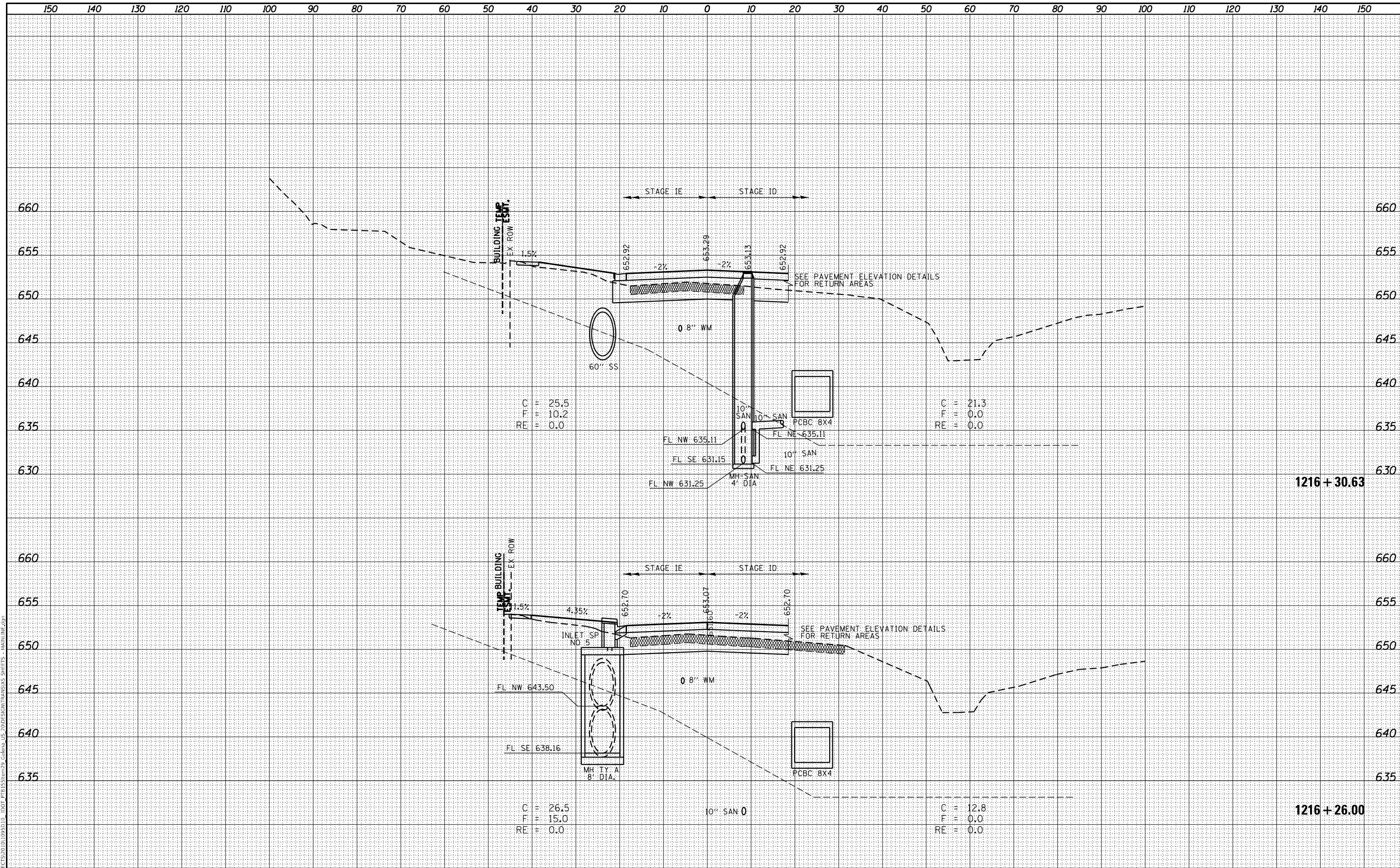
**IL RTE 84 / US 20
 CROSS SECTIONS**
 SCALE: N / A SHEET 94 OF 199 SHEETS STA. 1215+75.00 TO STA. 1216+00.00

F.A.P. RTE.	SECTION	COUNTY	TOTAL SHEETS	SHEET NO.
301	29R-1	JO DAVISS	679	516
			CONTRACT NO. 64880	
ILLINOIS FED. AID PROJECT				

DATE	
BY	
FINAL SURVEY	SURVEYED
NOTE BOOK	PLOTTED
NO.	TEMPLATE
	AREAS CHECKED

DATE	
BY	
ORIGINAL SURVEY	SURVEYED
NOTE BOOK	PLOTTED
NO.	TEMPLATE
	AREAS CHECKED

MODEL: Definit
 FILE NAME: S:\PROJECTS\2010\095510 - IDOT PFB E-Station 29 - Galena US 20\DESIGN\TRANSXS SHEETS - MAIN\16.dwg



USER NAME	= mslick
DESIGNED	- AMF
DRAWN	- TJA
CHECKED	- GFS
DATE	- 5/22/20
PLOT SCALE	= 240,0000' / ft.
PLOT DATE	= 10/15/2021

REVISED	-
REVISED	-
REVISED	-
REVISED	-

**STATE OF ILLINOIS
DEPARTMENT OF TRANSPORTATION**

**IL RTE 84 / US 20
CROSS SECTIONS**

SCALE: N / A SHEET 95 OF 199 SHEETS STA. 1216+26.00 TO STA. 1216+30.63

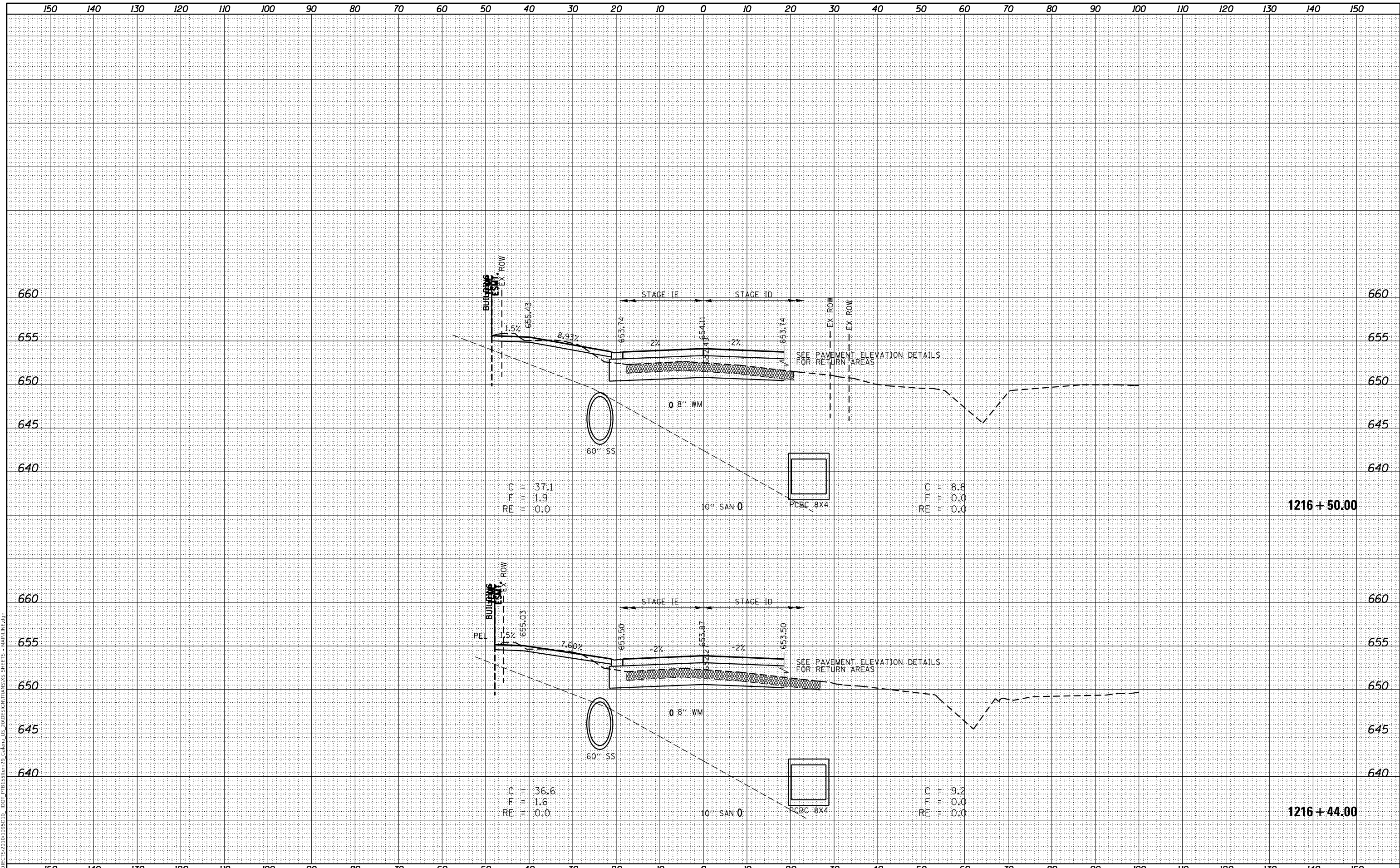
F.A.P. RTE.	SECTION	COUNTY	TOTAL SHEETS	SHEET NO.
301	29R-1	JO DAVIESS	679	517
			CONTRACT NO. 64880	

ILLINOIS FED. AID PROJECT

DATE	
BY	
FINAL SURVEY	SURVEYED
NOTE BOOK	PLOTTED
NO.	TEMPLATE
	AREAS CHECKED

DATE	
BY	
ORIGINAL SURVEY	SURVEYED
NOTE BOOK	PLOTTED
NO.	TEMPLATE
	AREAS CHECKED

MODEL: Definit
 FILE NAME: S:\PROJECTS\2010\095510 - IDOT PFB E-Stream\9 - Galena US 20\DESIGN\TRANSXS SHEETS - MAIN\1F.dwg



USER NAME	= mslick
DESIGNED	- AMF
DRAWN	- TJA
CHECKED	- GFS
DATE	- 5/22/20
PLOT SCALE	= 240,0000' / ft.
PLOT DATE	= 10/15/2021

REVISD	-
REVISD	-
REVISD	-
REVISD	-

**STATE OF ILLINOIS
DEPARTMENT OF TRANSPORTATION**

**IL RTE 84 / US 20
CROSS SECTIONS**

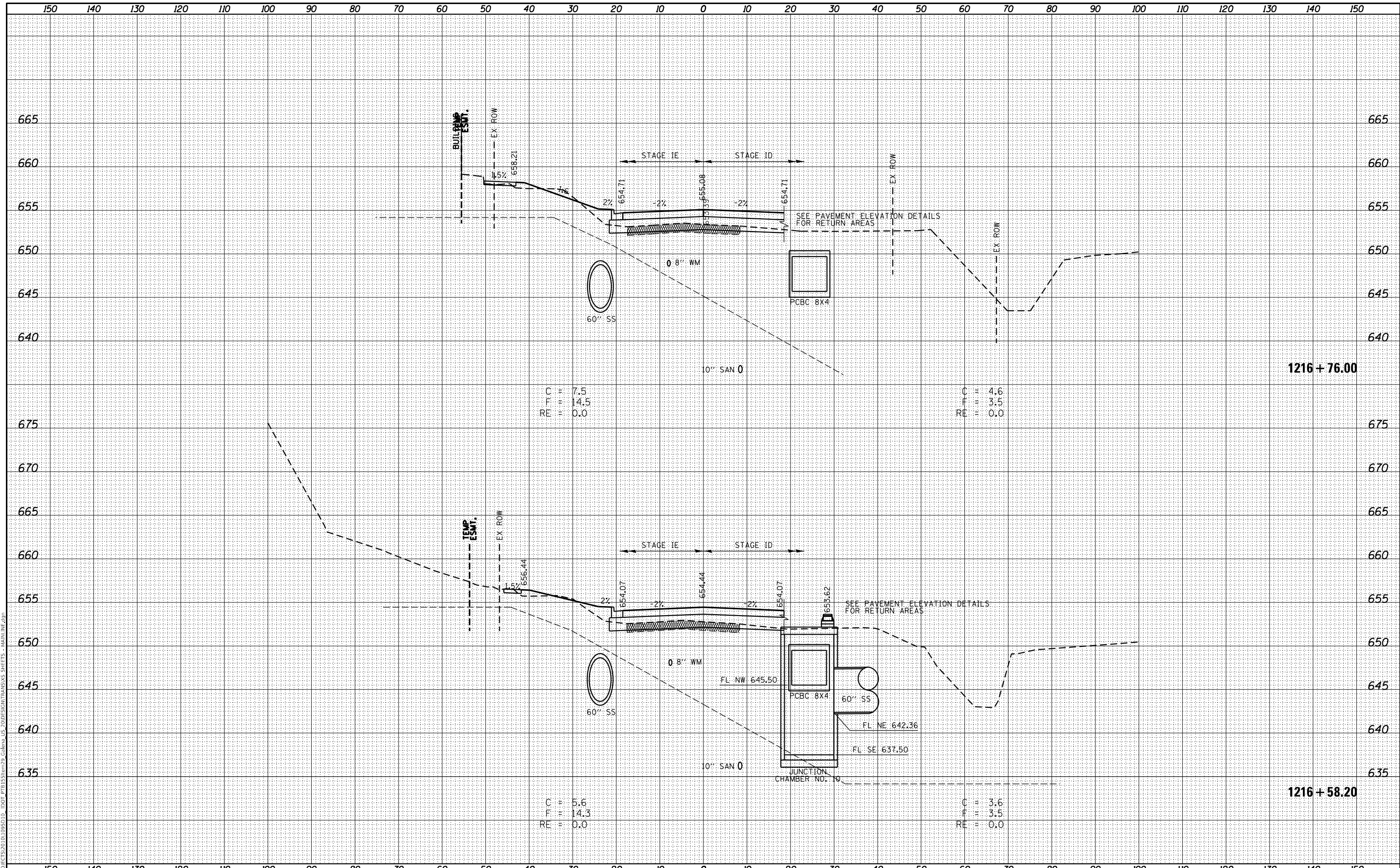
SCALE: N / A SHEET 96 OF 199 SHEETS STA. 1216+44.00 TO STA. 1216+50.00

F.A.P. RTE.	SECTION	COUNTY	TOTAL SHEETS	SHEET NO.
301	29R-1	JO DAVIESS	679	518
				CONTRACT NO. 64880
ILLINOIS FED. AID PROJECT				

DATE	
BY	
ORIGINAL SURVEY	
SURVEYED	
PLOTTED	
TEMPLATE	
AREAS CHECKED	
NO.	

DATE	
BY	
ORIGINAL SURVEY	
SURVEYED	
PLOTTED	
TEMPLATE	
AREAS CHECKED	
NO.	

MODEL: Definitive
 FILE NAME: S:\PROJECTS\2010\095510 - IDOT PFB\ESTIM99_Galena_US-20\DESIGN\TRANSXS\SHEETS - MAIN\161.dwg



C = 7.5
F = 14.5
RE = 0.0

C = 4.6
F = 3.5
RE = 0.0

C = 5.6
F = 14.3
RE = 0.0

C = 3.6
F = 3.5
RE = 0.0



USER NAME	= mslick
DESIGNED	- AMF
DRAWN	- TJA
CHECKED	- GFS
DATE	- 5/22/20
PLLOT SCALE	= 240,0000' / ft.
PLLOT DATE	= 10/15/2021

REVISED	-
REVISED	-
REVISED	-
REVISED	-

**STATE OF ILLINOIS
DEPARTMENT OF TRANSPORTATION**

**IL RTE 84 / US 20
CROSS SECTIONS**

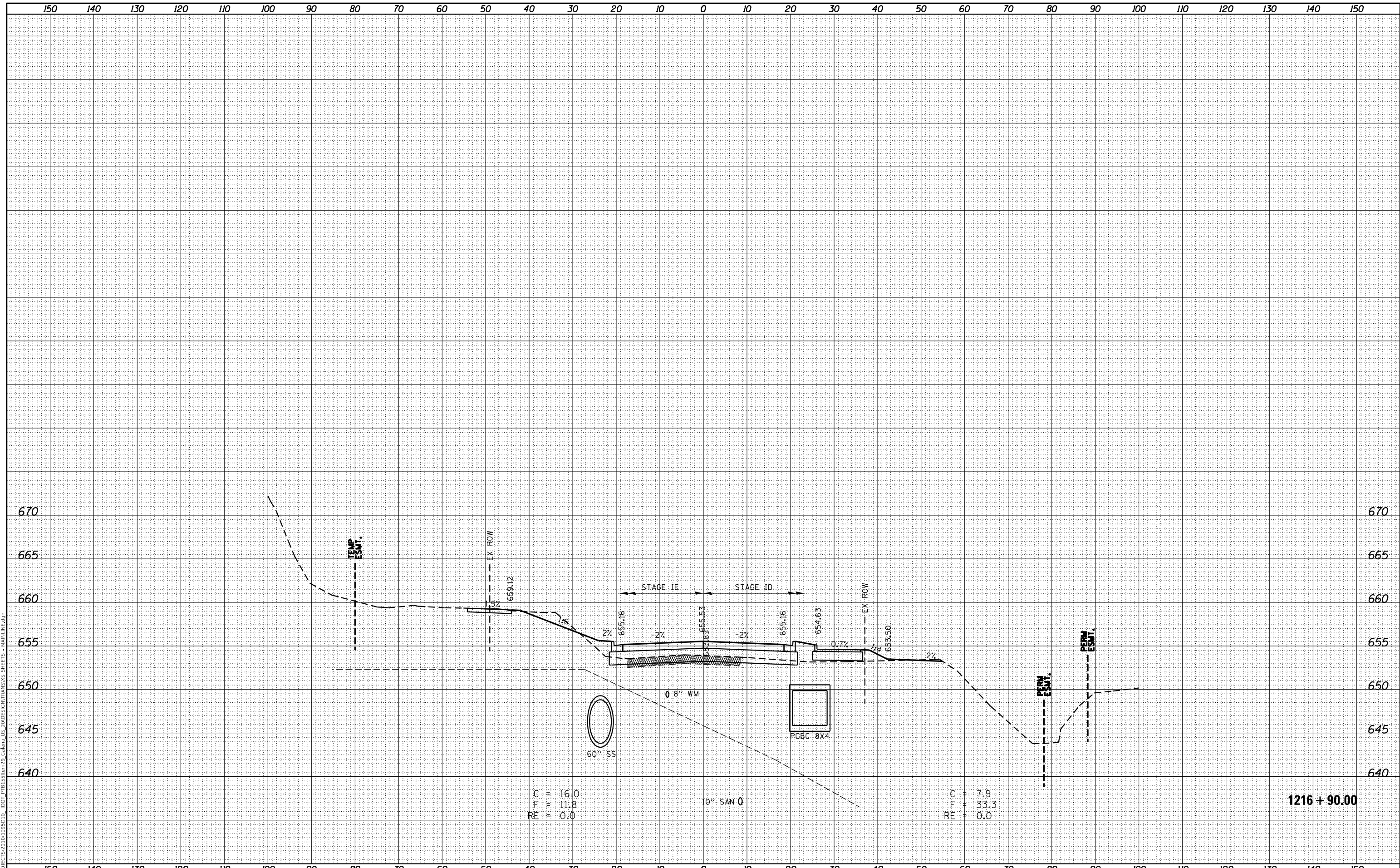
SCALE: N / A SHEET 97 OF 199 SHEETS STA. 1216+58.20 TO STA. 1216+76.00

F.A.P. RTE.	SECTION	COUNTY	TOTAL SHEETS	SHEET NO.
301	29R-1	JO DAVIESS	679	519
			CONTRACT NO. 64880	
ILLINOIS FED. AID PROJECT				

FINAL SURVEY	SURVEYED	BY	DATE
NOTE BOOK	PLOTTED		
NO.	TEMPLATE		
	AREAS CHECKED		

ORIGINAL SURVEY	SURVEYED	BY	DATE
NOTE BOOK	PLOTTED		
NO.	TEMPLATE		
	AREAS CHECKED		

MODEL: Definit
 FILE NAME: S:\PROJECTS\2010\095510 - IDOT PFB\ESTIM\29_Galena_US-20\FINAL\TRANSXIS SHEETS - MAIN\1F.dwg



C = 16.0
 F = 11.8
 RE = 0.0

10" SAN 0

C = 7.9
 F = 33.3
 RE = 0.0

1216 + 90.00



USER NAME = mslick	DESIGNED - AMF	REVISED -
	DRAWN - TJA	REVISED -
PLOT SCALE = 240,0000' / ft.	CHECKED - GFS	REVISED -
PLOT DATE = 10/15/2021	DATE - 5/22/20	REVISED -

STATE OF ILLINOIS
 DEPARTMENT OF TRANSPORTATION

IL RTE 84 / US 20
 CROSS SECTIONS

SCALE: N / A SHEET 98 OF 199 SHEETS STA. 1216+90.00 TO STA. 1216+90.00

F.A.P. RTE.	SECTION	COUNTY	TOTAL SHEETS	SHEET NO.
301	29R-1	JO DAVIESS	679	520
			CONTRACT NO. 64880	
ILLINOIS FED. AID PROJECT				

FINAL SURVEY NO.	SURVEYED	DATE
NOTE BOOK	PLOTTED	
AREAS CHECKED	TEMPLATE	
	AREAS CHECKED	

ORIGINAL SURVEY NO.	SURVEYED	DATE
NOTE BOOK	PLOTTED	
AREAS CHECKED	TEMPLATE	
	AREAS CHECKED	

MODEL: Definit
 FILE NAME: S:\PROJECTS\2010\095510 - IDOT PFB\ESTIM\29_Galena_US-20\DESIGN\TRANS\SS SHEETS - MAIN\16.dwg



C = 102.0
 F = 6.7
 RE = 0.0

C = 9.8
 F = 28.1
 RE = 0.0

1217 + 00.00



USER NAME = mslick	DESIGNED - AMF	REVISED -
	DRAWN - TJA	REVISED -
PLOT SCALE = 240,0000' / ft.	CHECKED - GFS	REVISED -
PLOT DATE = 10/15/2021	DATE - 5/22/20	REVISED -

STATE OF ILLINOIS
 DEPARTMENT OF TRANSPORTATION

IL RTE 84 / US 20
 CROSS SECTIONS

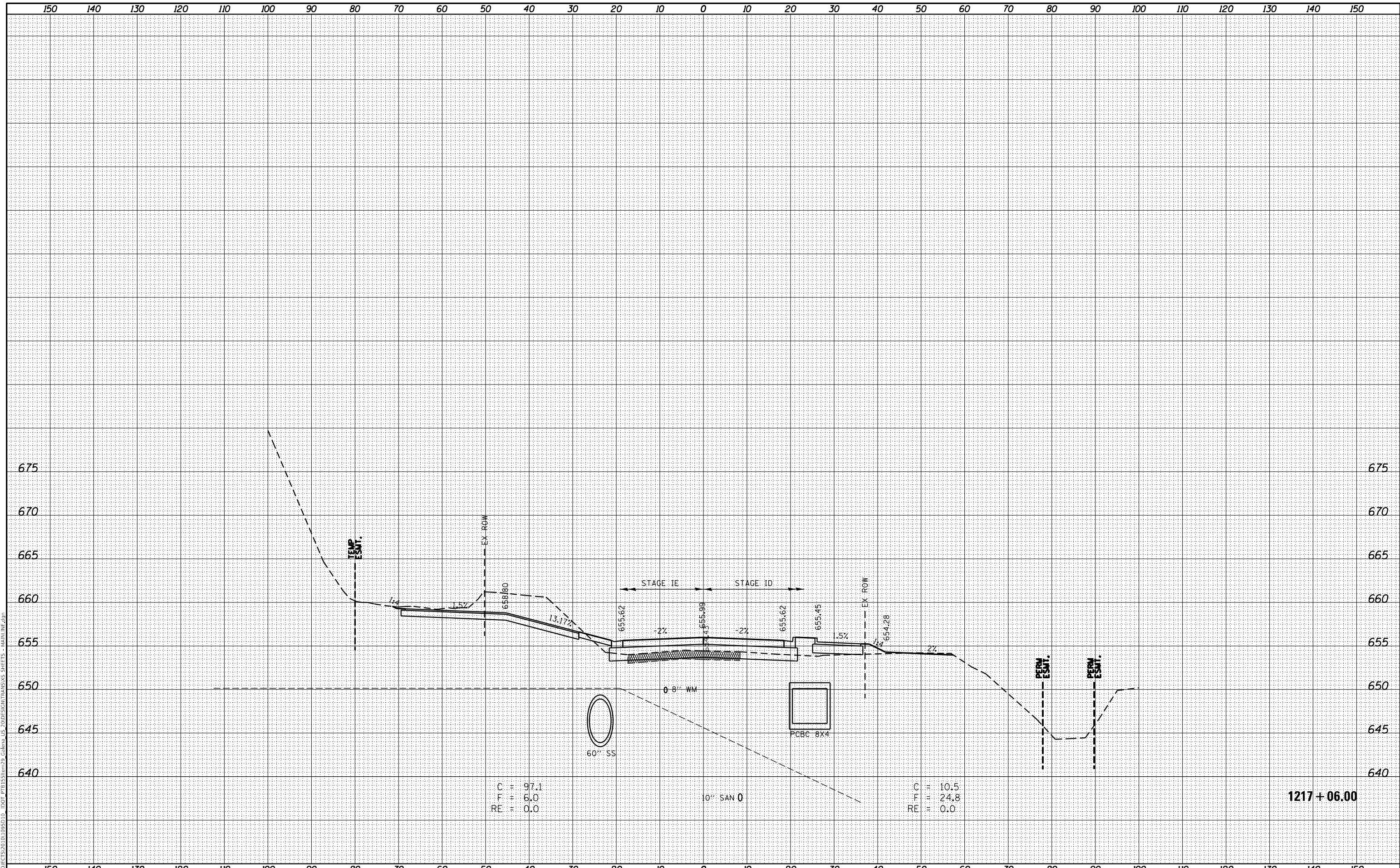
SCALE: N / A SHEET 99 OF 199 SHEETS STA. 1217+00.00 TO STA. 1217+00.00

F.A.P. RTE. 301	SECTION 29R-1	COUNTY JO DAVIESS	TOTAL SHEETS 679	SHEET NO. 521
			CONTRACT NO. 64880	
ILLINOIS FED. AID PROJECT				

FINAL SURVEY NO.	SURVEYED	DATE
NOTE BOOK	PLOTTED	
AREAS CHECKED	TEMPLATE	
	AREAS CHECKED	

ORIGINAL SURVEY NO.	SURVEYED	DATE
NOTE BOOK	PLOTTED	
AREAS CHECKED	TEMPLATE	
	AREAS CHECKED	

MODEL: Default
 FILE NAME: S:\PROJECTS\2010\095510 - IDOT PFB\ESTIM\29 Galena US 20\DESIGN\TRANS\XSS SHEETS - MAIN\1F.dwg



C = 97.1
 F = 6.0
 RE = 0.0

C = 10.5
 F = 24.8
 RE = 0.0

1217 + 06.00



USER NAME = mslick	DESIGNED - AMF	REVISED -
	DRAWN - TJA	REVISED -
PLOT SCALE = 240,0000' / ft.	CHECKED - GFS	REVISED -
PLOT DATE = 10/15/2021	DATE - 5/22/20	REVISED -

STATE OF ILLINOIS
 DEPARTMENT OF TRANSPORTATION

IL RTE 84 / US 20
 CROSS SECTIONS

SCALE: N / A SHEET 100 OF 199 SHEETS STA. 1217+06.00 TO STA. 1217+06.00

F.A.P. RTE. 301	SECTION 29R-1	COUNTY JO DAVIESS	TOTAL SHEETS 679	SHEET NO. 522
			CONTRACT NO. 64880	

ILLINOIS FED. AID PROJECT

FINAL SURVEY NO.	SURVEYED	DATE
NOTE BOOK	PLOTTED	
AREAS CHECKED	TEMPLATE	
	AREAS CHECKED	

ORIGINAL SURVEY NO.	SURVEYED	DATE
NOTE BOOK	PLOTTED	
AREAS CHECKED	TEMPLATE	
	AREAS CHECKED	

MODEL: Definit
 FILE NAME: S:\PROJECTS\2010\095510 - IDOT PFB\ESTIM\29 Galena US 20\DESIGN\TRANS\XSS SHEETS - MAIN\1F.dwg



C = 42.5
 F = 6.7
 RE = 0.0

C = 14.9
 F = 17.6
 RE = 0.0



USER NAME = mslick	DESIGNED - AMF	REVISED -
	DRAWN - TJA	REVISED -
PLOT SCALE = 240,0000' / ft.	CHECKED - GFS	REVISED -
PLOT DATE = 10/15/2021	DATE - 5/22/20	REVISED -

**STATE OF ILLINOIS
 DEPARTMENT OF TRANSPORTATION**

**IL RTE 84 / US 20
 CROSS SECTIONS**

SCALE: N / A SHEET 101 OF 199 SHEETS STA. 1217+25.00 TO STA. 1217+25.00

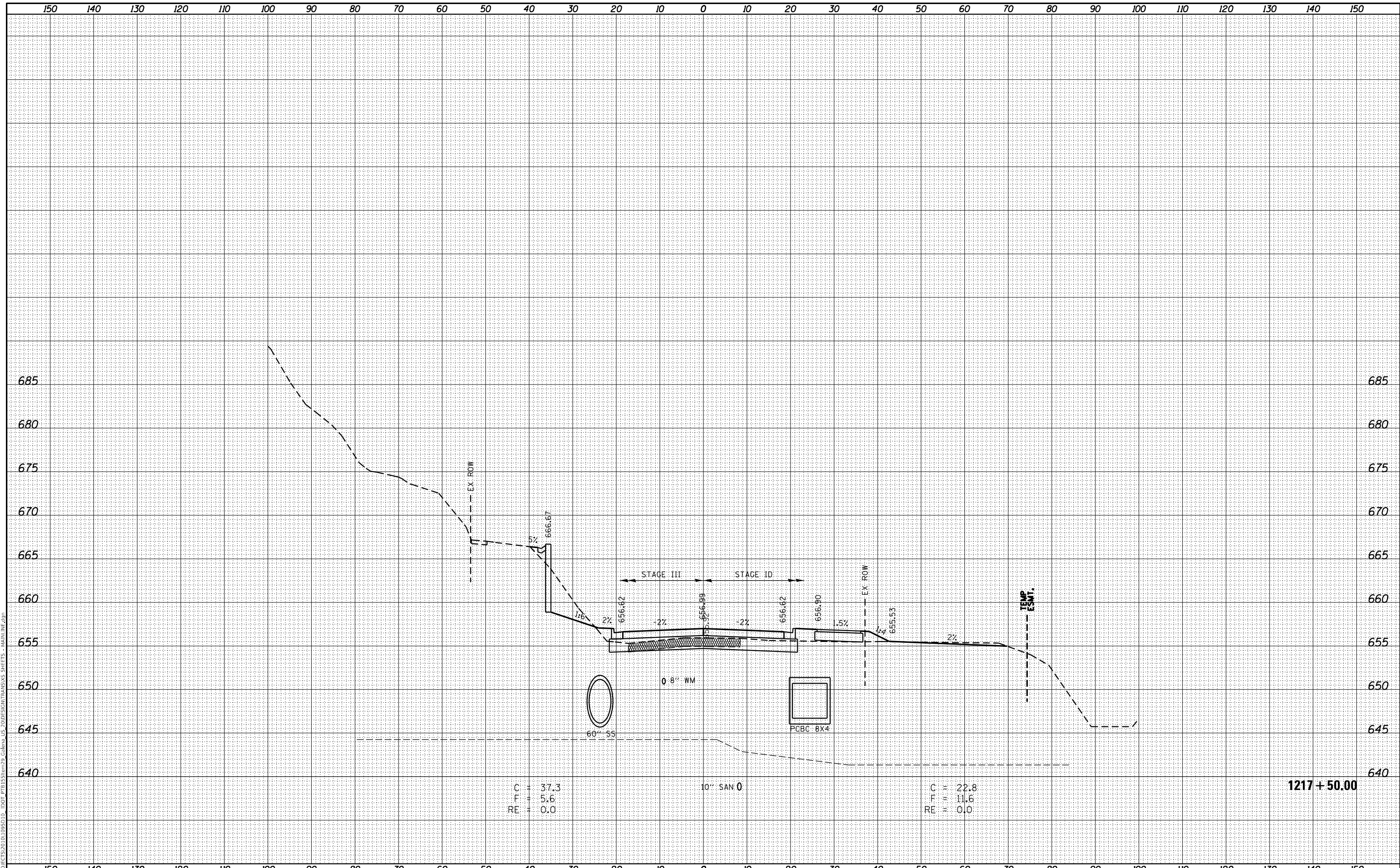
F.A.P. RTE.	SECTION	COUNTY	TOTAL SHEETS	SHEET NO.
301	29R-1	JO DAVIESS	679	523
			CONTRACT NO. 64880	

ILLINOIS FED. AID PROJECT

FINAL SURVEY NO.	SURVEYED	DATE
NOTE BOOK	PLOTTED	
AREAS CHECKED	TEMPLATE	
	AREAS CHECKED	

ORIGINAL SURVEY NO.	SURVEYED	DATE
NOTE BOOK	PLOTTED	
AREAS CHECKED	TEMPLATE	
	AREAS CHECKED	

MODEL: Definit
 FILE NAME: S:\PROJECTS\2010\095510 - IDOT PFB\ESTIM\29 Galena US 20\DESIGN\TRANSXS SHEETS - MAIN\1F.dwg



C = 37.3
 F = 5.6
 RE = 0.0

C = 22.8
 F = 11.6
 RE = 0.0

1217 + 50.00



USER NAME = mslick	DESIGNED - AMF	REVISED -
	DRAWN - TJA	REVISED -
PLOT SCALE = 240,0000' / ft.	CHECKED - GFS	REVISED -
PLOT DATE = 10/15/2021	DATE - 5/22/20	REVISED -

STATE OF ILLINOIS
DEPARTMENT OF TRANSPORTATION

IL RTE 84 / US 20
CROSS SECTIONS

SCALE: N / A SHEET 102 OF 199 SHEETS STA. 1217+50.00 TO STA. 1217+50.00

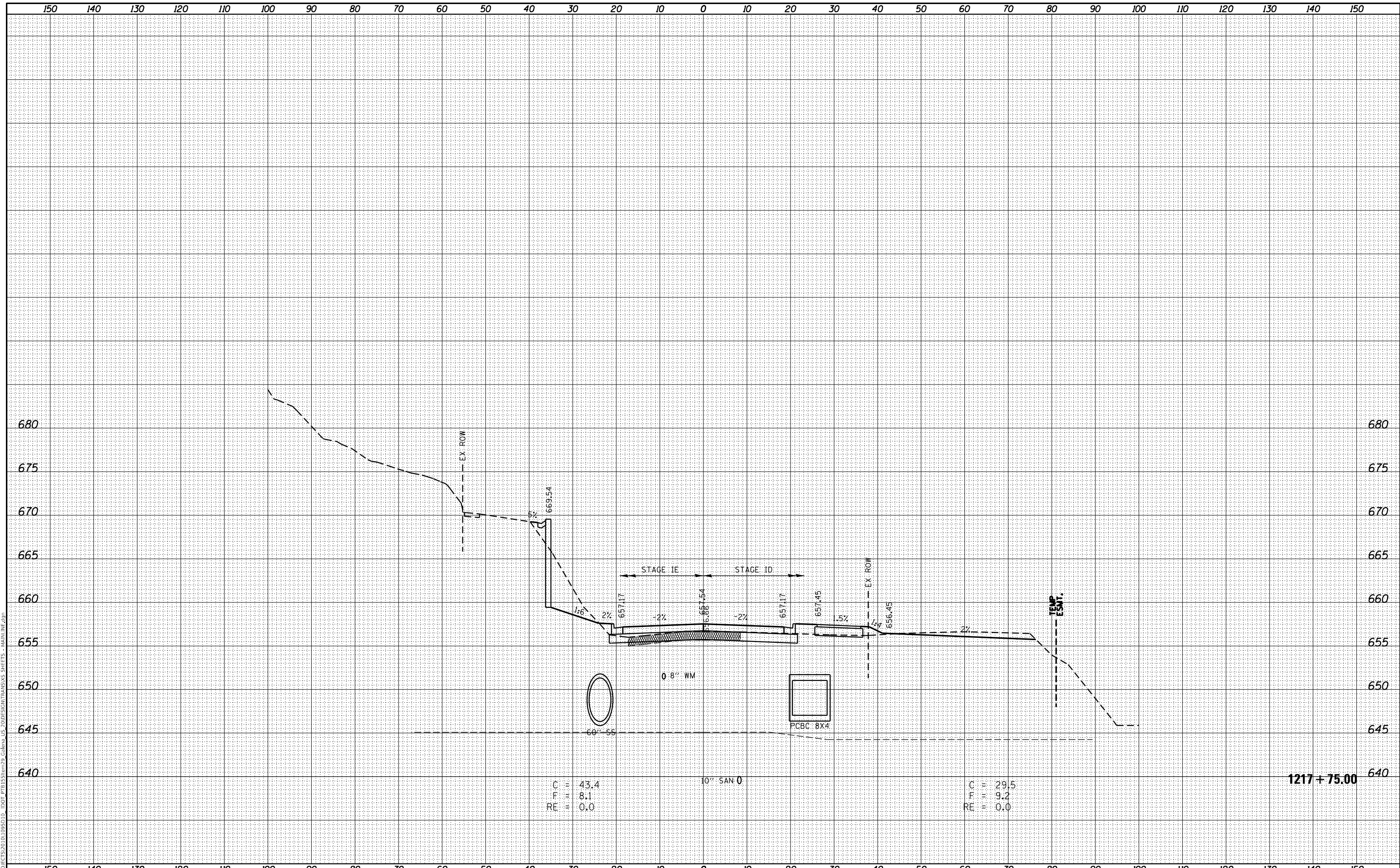
F.A.P. RTE.	SECTION	COUNTY	TOTAL SHEETS	SHEET NO.
301	29R-1	JO DAVIESS	679	524
			CONTRACT NO. 64880	

ILLINOIS FED. AID PROJECT

FINAL SURVEY	SURVEYED	BY	DATE
NOTE BOOK	PLOTTED		
NO.	TEMPLATE		
	AREAS CHECKED		

ORIGINAL SURVEY	SURVEYED	BY	DATE
NOTE BOOK	PLOTTED		
NO.	TEMPLATE		
	AREAS CHECKED		

MODEL: Definit
 FILE NAME: S:\PROJECTS\2010\095510 - IDOT PFB\ESTIM\29 Galena US 20\DESIGN\TRANSXS SHEETS - MAIN\1F.dwg



C = 43.4
 F = 8.1
 RE = 0.0

C = 29.5
 F = 9.2
 RE = 0.0

1217 + 75.00



USER NAME = mslick	DESIGNED - AMF	REVISED -
	DRAWN - TJA	REVISED -
PLOT SCALE = 240,0000' / ft.	CHECKED - GFS	REVISED -
PLOT DATE = 10/15/2021	DATE - 5/22/20	REVISED -

STATE OF ILLINOIS
 DEPARTMENT OF TRANSPORTATION

IL RTE 84 / US 20
 CROSS SECTIONS

SCALE: N / A SHEET 103 OF 199 SHEETS STA. 1217+75.00 TO STA. 1217+75.00

F.A.P. RTE.	SECTION	COUNTY	TOTAL SHEETS	SHEET NO.
301	29R-1	JO DAVIESS	679	525
			CONTRACT NO. 64880	

ILLINOIS FED. AID PROJECT

FINAL SURVEY	SURVEYED	BY	DATE
NOTE BOOK	PLOTTED		
NO.	TEMPLATE		
	AREAS CHECKED		

ORIGINAL SURVEY	SURVEYED	BY	DATE
NOTE BOOK	PLOTTED		
NO.	TEMPLATE		
	AREAS CHECKED		

MODEL: Default
 FILE NAME: S:\PROJECTS\2010\095510 - IDOT PFB\ESTIM\29_Galena_US-20\DESIGN\TRANSXS\SHEETS - MAIN\16.dwg



C = 61.5
 F = 5.4
 RE = 0.0

C = 14.6
 F = 9.4
 RE = 0.0



USER NAME = mslick	DESIGNED - AMF	REVISED -
	DRAWN - TJA	REVISED -
PLOT SCALE = 240,0000' / ft.	CHECKED - GFS	REVISED -
PLOT DATE = 10/15/2021	DATE - 5/22/20	REVISED -

STATE OF ILLINOIS
 DEPARTMENT OF TRANSPORTATION

IL RTE 84 / US 20
 CROSS SECTIONS

SCALE: N / A SHEET 104 OF 199 SHEETS STA. 1217+98.00 TO STA. 1217+98.00

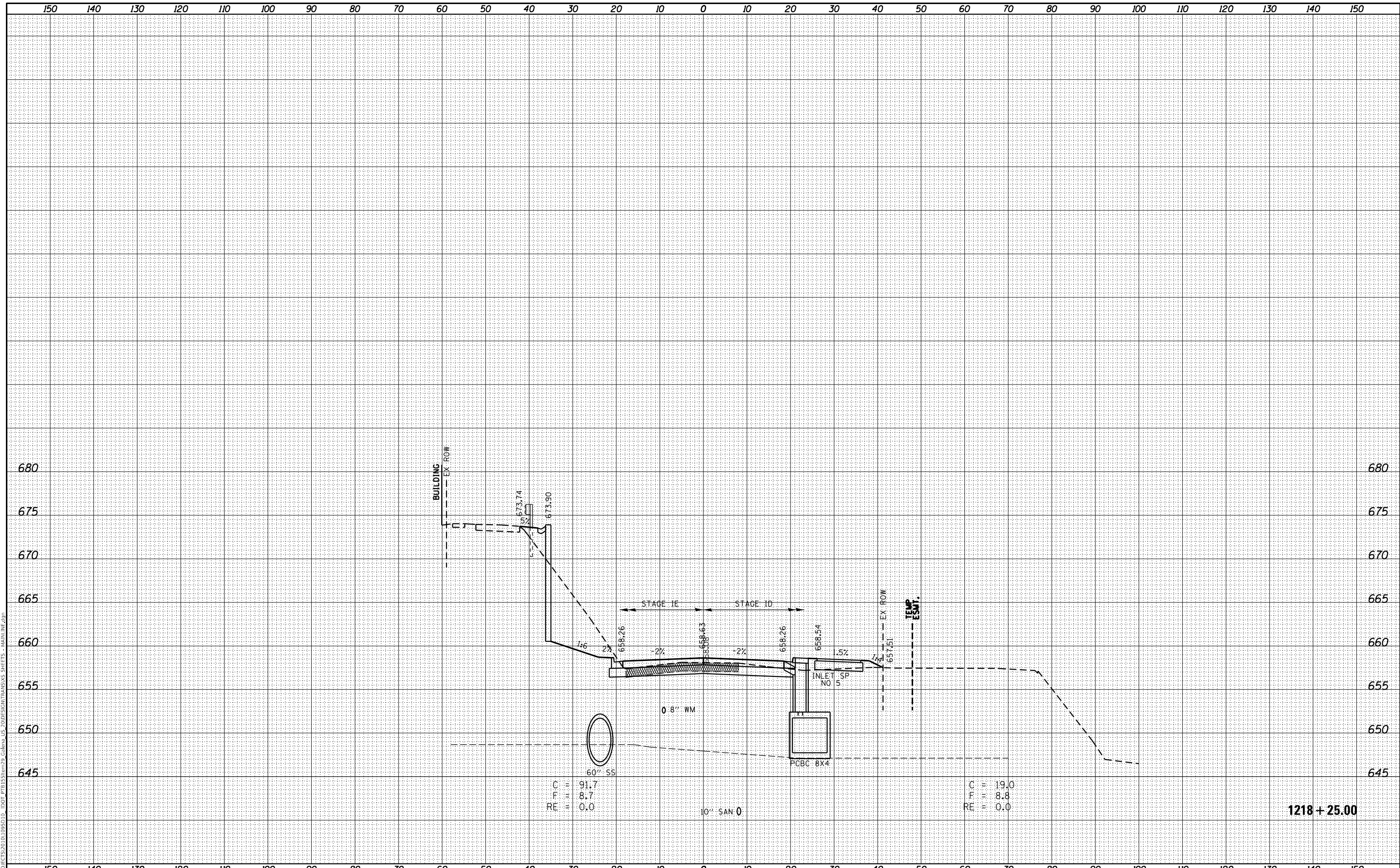
F.A.P. RTE.	SECTION	COUNTY	TOTAL SHEETS	SHEET NO.
301	29R-1	JO DAVIESS	679	526
			CONTRACT NO. 64880	

ILLINOIS FED. AID PROJECT

FINAL SURVEY NO.	SURVEYED	DATE
NOTE BOOK	PLOTTED	
AREAS CHECKED	TEMPLATE	
	AREAS CHECKED	

ORIGINAL SURVEY NO.	SURVEYED	DATE
NOTE BOOK	PLOTTED	
AREAS CHECKED	TEMPLATE	
	AREAS CHECKED	

MODEL: Definit
 FILE NAME: S:\PROJECTS\2010\095510 - IDOT PFB\ESTIM\29 Galena US 20\DESIGN\TRANSXS SHEETS - MAIN\1F.dwg



C = 91.7
 F = 8.7
 RE = 0.0

C = 19.0
 F = 8.8
 RE = 0.0



USER NAME = mslick	DESIGNED - AMF	REVISED -
	DRAWN - TJA	REVISED -
PLOT SCALE = 240,0000' / ft.	CHECKED - GFS	REVISED -
PLOT DATE = 10/15/2021	DATE - 5/22/20	REVISED -

STATE OF ILLINOIS
 DEPARTMENT OF TRANSPORTATION

IL RTE 84 / US 20
 CROSS SECTIONS

SCALE: N / A SHEET 105 OF 199 SHEETS STA. 1218+25.00 TO STA. 1218+25.00

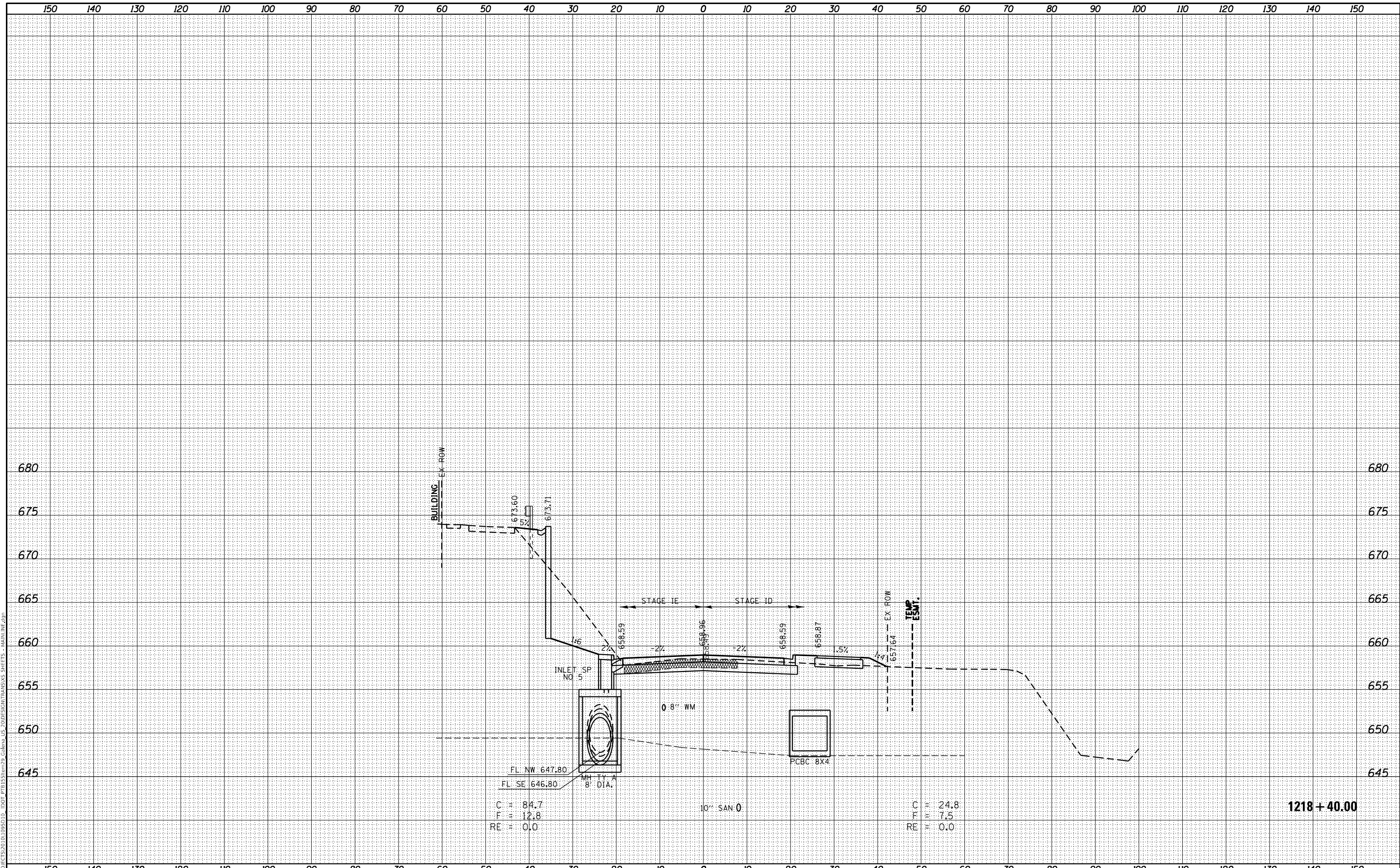
F.A.P. RTE.	SECTION	COUNTY	TOTAL SHEETS	SHEET NO.
301	29R-1	JO DAVISSL	679	527
			CONTRACT NO. 64880	

ILLINOIS FED. AID PROJECT

FINAL SURVEY NO.	SURVEYED	DATE
NOTE BOOK	PLOTTED	
AREAS CHECKED	TEMPLATE	
	AREAS CHECKED	

ORIGINAL SURVEY NO.	SURVEYED	DATE
NOTE BOOK	PLOTTED	
AREAS CHECKED	TEMPLATE	
	AREAS CHECKED	

MODEL: Definit
 FILE NAME: S:\PROJECTS\2010\095510 - IDOT PFB\ESTIM\29 Galena US 20\DESIGN\TRANSXS SHEETS - MAIN\WF.dwg



C = 84.7
 F = 12.8
 RE = 0.0

C = 24.8
 F = 7.5
 RE = 0.0

1218+40.00



USER NAME = mslick	DESIGNED - AMF	REVISED -
	DRAWN - TJA	REVISED -
PLOT SCALE = 240,0000' / ft.	CHECKED - GFS	REVISED -
PLOT DATE = 10/15/2021	DATE - 5/22/20	REVISED -

STATE OF ILLINOIS
 DEPARTMENT OF TRANSPORTATION

IL RTE 84 / US 20 CROSS SECTIONS	
SCALE: N / A	SHEET 106 OF 199 SHEETS
STA. 1218+40.00 TO STA. 1218+40.00	

F.A.P. RTE. 301	SECTION 29R-1	COUNTY JO DAVIESS	TOTAL SHEETS 679	SHEET NO. 528
			CONTRACT NO. 64880	
ILLINOIS FED. AID PROJECT				

FINAL SURVEY NO.	SURVEYED	DATE
NOTE BOOK	PLOTTED	
AREAS CHECKED	TEMPLATE	
	AREAS CHECKED	

ORIGINAL SURVEY NO.	SURVEYED	DATE
NOTE BOOK	PLOTTED	
AREAS CHECKED	TEMPLATE	
	AREAS CHECKED	

MODEL: Definit
 FILE NAME: S:\PROJECTS\2010\095510 - IDOT PFB\ESTIM\29_Galena_US-20\DESIGN\TRANS\XSS SHEETS - MAIN\1F.dwg



C = 75.6
 F = 24.8
 RE = 0.0

C = 25.9
 F = 8.1
 RE = 0.0

1218 + 50.00



USER NAME = mslick	DESIGNED - AMF	REVISED -
	DRAWN - TJA	REVISED -
PLOT SCALE = 240,0000' / ft.	CHECKED - GFS	REVISED -
PLOT DATE = 10/15/2021	DATE - 5/22/20	REVISED -

STATE OF ILLINOIS
 DEPARTMENT OF TRANSPORTATION

IL RTE 84 / US 20
 CROSS SECTIONS

SCALE: N / A SHEET 107 OF 199 SHEETS STA. 1218+50.00 TO STA. 1218+50.00

F.A.P. RTE. 301	SECTION 29R-1	COUNTY JO DAVIESS	TOTAL SHEETS 679	SHEET NO. 529
			CONTRACT NO. 64880	

ILLINOIS FED. AID PROJECT

FINAL SURVEY NO.	SURVEYED	DATE
NOTE BOOK	PLOTTED	
AREAS CHECKED	TEMPLATE	
	AREAS CHECKED	

ORIGINAL SURVEY NO.	SURVEYED	DATE
NOTE BOOK	PLOTTED	
AREAS CHECKED	TEMPLATE	
	AREAS CHECKED	

MODEL: Definit
 FILE NAME: S:\PROJECTS\2010\095510 - IDOT PFB\ESTIM\29 Galena US 20\DESIGN\TRANSXS SHEETS - MAIN\1F.dwg



C = 59.0
 F = 35.1
 RE = 0.0

C = 25.9
 F = 11.3
 RE = 0.0

1218 + 75.00



USER NAME = mslick	DESIGNED - AMF	REVISED -
	DRAWN - TJA	REVISED -
PLOT SCALE = 240,0000' / ft.	CHECKED - GFS	REVISED -
PLOT DATE = 10/15/2021	DATE - 5/22/20	REVISED -

STATE OF ILLINOIS
 DEPARTMENT OF TRANSPORTATION

IL RTE 84 / US 20
 CROSS SECTIONS

SCALE: N / A SHEET 108 OF 199 SHEETS STA. 1218+75.00 TO STA. 1218+75.00

F.A.P. RTE.	SECTION	COUNTY	TOTAL SHEETS	SHEET NO.
301	29R-1	JO DAVIESS	679	530
			CONTRACT NO. 64880	

ILLINOIS FED. AID PROJECT

FINAL SURVEY NO.	SURVEYED	DATE
NOTE BOOK	PLOTTED	
AREAS CHECKED	TEMPLATE	
	AREAS CHECKED	

ORIGINAL SURVEY NO.	SURVEYED	DATE
NOTE BOOK	PLOTTED	
AREAS CHECKED	TEMPLATE	
	AREAS CHECKED	

MODEL: Definit
 FILE NAME: S:\PROJECTS\2010\095510 - IDOT PFB\ESTIM\29_Galena_US-20\FSIGM\TRANSXS SHEETS - MAIN\1F.dwg



C = 36.5
 F = 28.4
 RE = 0.0

C = 22.8
 F = 246.9
 RE = 0.0



USER NAME = mslick	DESIGNED - AMF	REVISED -
	DRAWN - TJA	REVISED -
PLOT SCALE = 240,0000' / ft.	CHECKED - GFS	REVISED -
PLOT DATE = 10/15/2021	DATE - 5/22/20	REVISED -

**STATE OF ILLINOIS
 DEPARTMENT OF TRANSPORTATION**

**IL RTE 84 / US 20
 CROSS SECTIONS**

SCALE: N / A SHEET 109 OF 199 SHEETS STA. 1219+00.00 TO STA. 1219+00.00

F.A.P. RTE.	SECTION	COUNTY	TOTAL SHEETS	SHEET NO.
301	29R-1	JO DAVIESS	679	531
			CONTRACT NO. 64880	

ILLINOIS FED. AID PROJECT

FINAL SURVEY NO.	SURVEYED	DATE
NOTE BOOK	PLOTTED	
AREAS CHECKED	TEMPLATE	
	AREAS CHECKED	

ORIGINAL SURVEY NO.	SURVEYED	DATE
NOTE BOOK	PLOTTED	
AREAS CHECKED	TEMPLATE	
	AREAS CHECKED	

MODEL: Definit
 FILE NAME: S:\PROJECTS\2010\095510 - IDOT PFB\ESTIM\29 Galena US 20\DESIGN\TRANSVS SHEETS - MAIN\1F.dwg



C = 13.1
 F = 33.1
 RE = 0.0

C = 9.9
 F = 273.6
 RE = 0.0

1219 + 25.00



USER NAME = mslick	DESIGNED - AMF	REVISED -
	DRAWN - TJA	REVISED -
PLOT SCALE = 240,0000' / ft.	CHECKED - GFS	REVISED -
PLOT DATE = 10/15/2021	DATE - 5/22/20	REVISED -

STATE OF ILLINOIS
 DEPARTMENT OF TRANSPORTATION

IL RTE 84 / US 20
 CROSS SECTIONS

SCALE: N / A SHEET 110 OF 199 SHEETS STA. 1219+25.00 TO STA. 1219+25.00

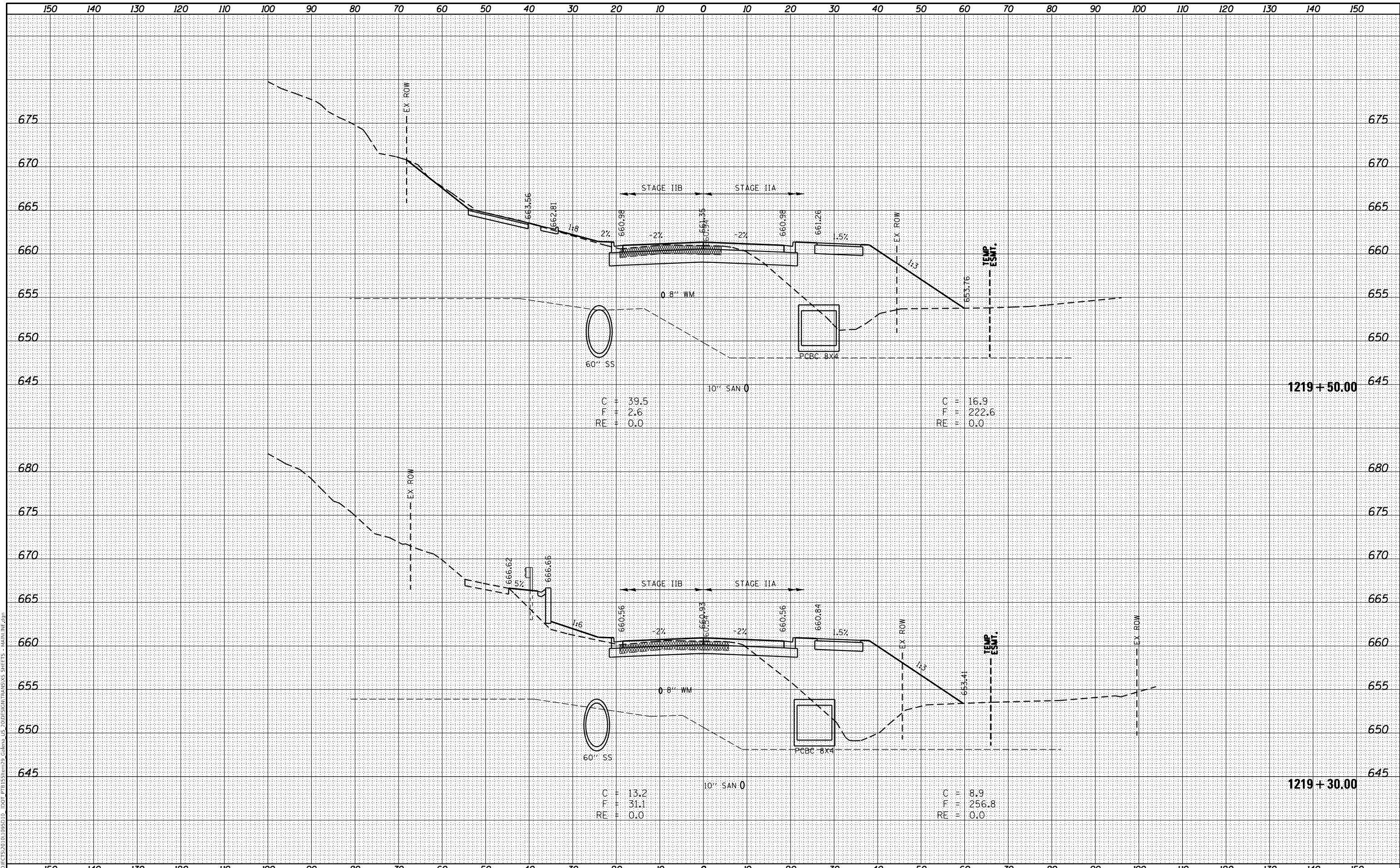
F.A.P. RTE.	SECTION	COUNTY	TOTAL SHEETS	SHEET NO.
301	29R-1	JO DAVIESS	679	532
			CONTRACT NO. 64880	

ILLINOIS FED. AID PROJECT

DATE	
BY	
SURVEYED	
PLOTTED	
TEMPLATE	
AREAS	
CHECKED	
FINAL SURVEY	
NOTE BOOK	
NO.	

DATE	
BY	
SURVEYED	
PLOTTED	
TEMPLATE	
AREAS	
CHECKED	
ORIGINAL SURVEY	
NOTE BOOK	
NO.	

MODEL: Definit
 FILE NAME: S:\PROJECTS\2010\095510 - IDOT PFB E-Stream\9 - Galena US 20\DESIGN\TRANSXS SHEETS - MAIN\1F.dwg



WILLET HOFMANN ASSOCIATES INC.
 ENGINEERING ARCHITECTURE LAND SURVEYING
 809 EAST 2ND STREET, DEKalb, IL 61021-0387
 T: 815-284-1330 F: 815-284-0998

USER NAME = mslick	DESIGNED - AMF	REVISED -
	DRAWN - TJA	REVISED -
PLOT SCALE = 240,000' / ft.	CHECKED - GFS	REVISED -
PLOT DATE = 10/15/2021	DATE - 5/22/20	REVISED -

STATE OF ILLINOIS
 DEPARTMENT OF TRANSPORTATION

IL RTE 84 / US 20
 CROSS SECTIONS

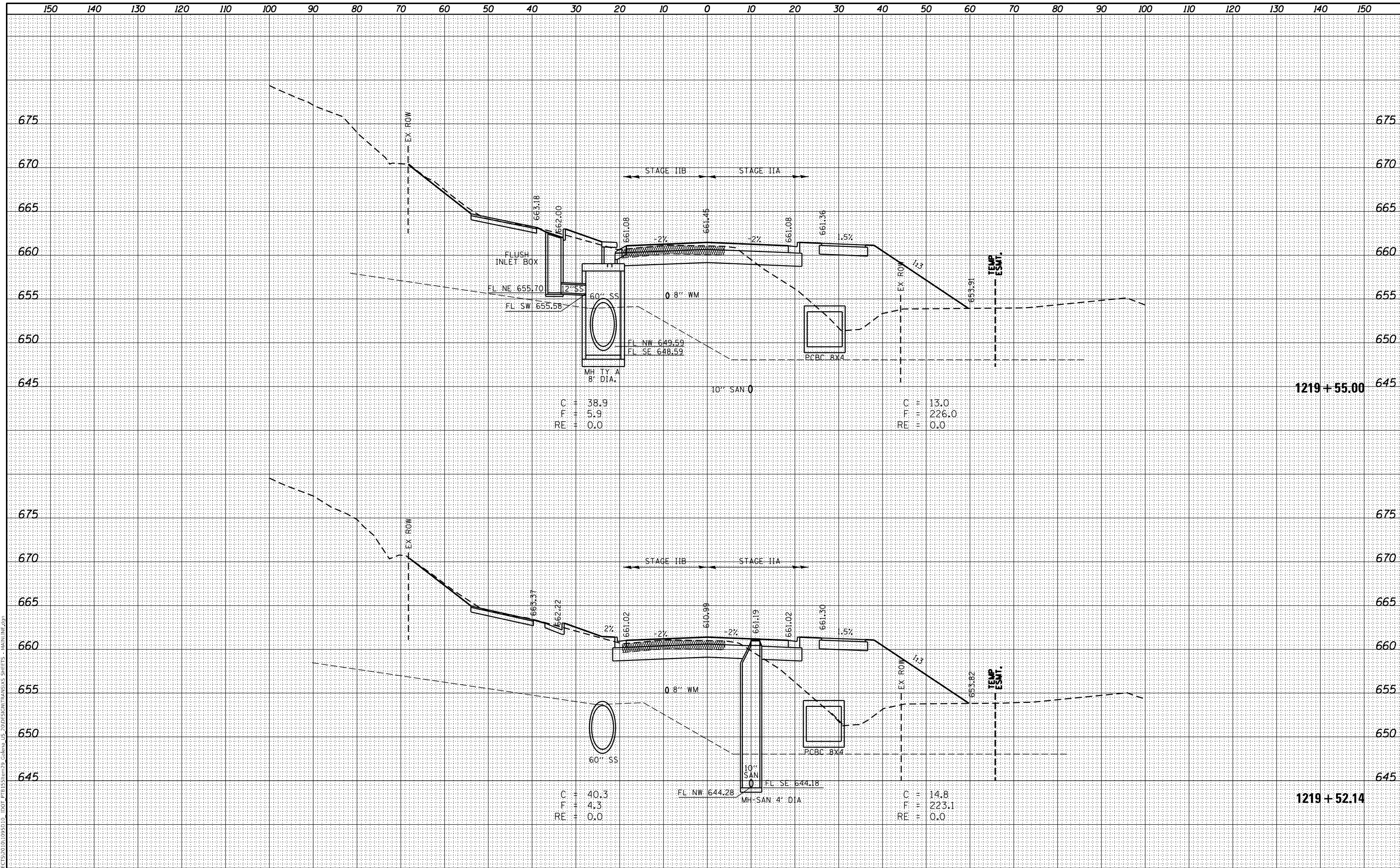
SCALE: N / A SHEET 111 OF 199 SHEETS STA. 1219+30.00 TO STA. 1219+50.00

F.A.P. RTE.	SECTION	COUNTY	TOTAL SHEETS	SHEET NO.
301	29R-1	JO DAVIESS	679	533
			CONTRACT NO. 64880	
ILLINOIS FED. AID PROJECT				

DATE	
BY	
FINAL SURVEY	SURVEYED
NOTE BOOK	PLOTTED
NO.	TEMPLATE
	AREAS
	CHECKED

DATE	
BY	
ORIGINAL SURVEY	SURVEYED
NOTE BOOK	PLOTTED
NO.	TEMPLATE
	AREAS
	CHECKED

MODEL: Definit
 FILE NAME: S:\PROJECTS\2010\095510 - IDOT PFB E-Stream\9_Galena US 20\DESIGN\TRANSXS SHEETS - MAIN\116.dwg



USER NAME = mslick
 DESIGNED - AMF
 DRAWN - TJA
 CHECKED - GFS
 DATE - 5/22/20

REVISIONS:
 1. DESIGNED - AMF
 2. DRAWN - TJA
 3. CHECKED - GFS
 4. DATE - 5/22/20

**STATE OF ILLINOIS
 DEPARTMENT OF TRANSPORTATION**

**IL RTE 84 / US 20
 CROSS SECTIONS**

SCALE: N / A SHEET 112 OF 199 SHEETS STA. 1219+52.14 TO STA. 1219+55.00

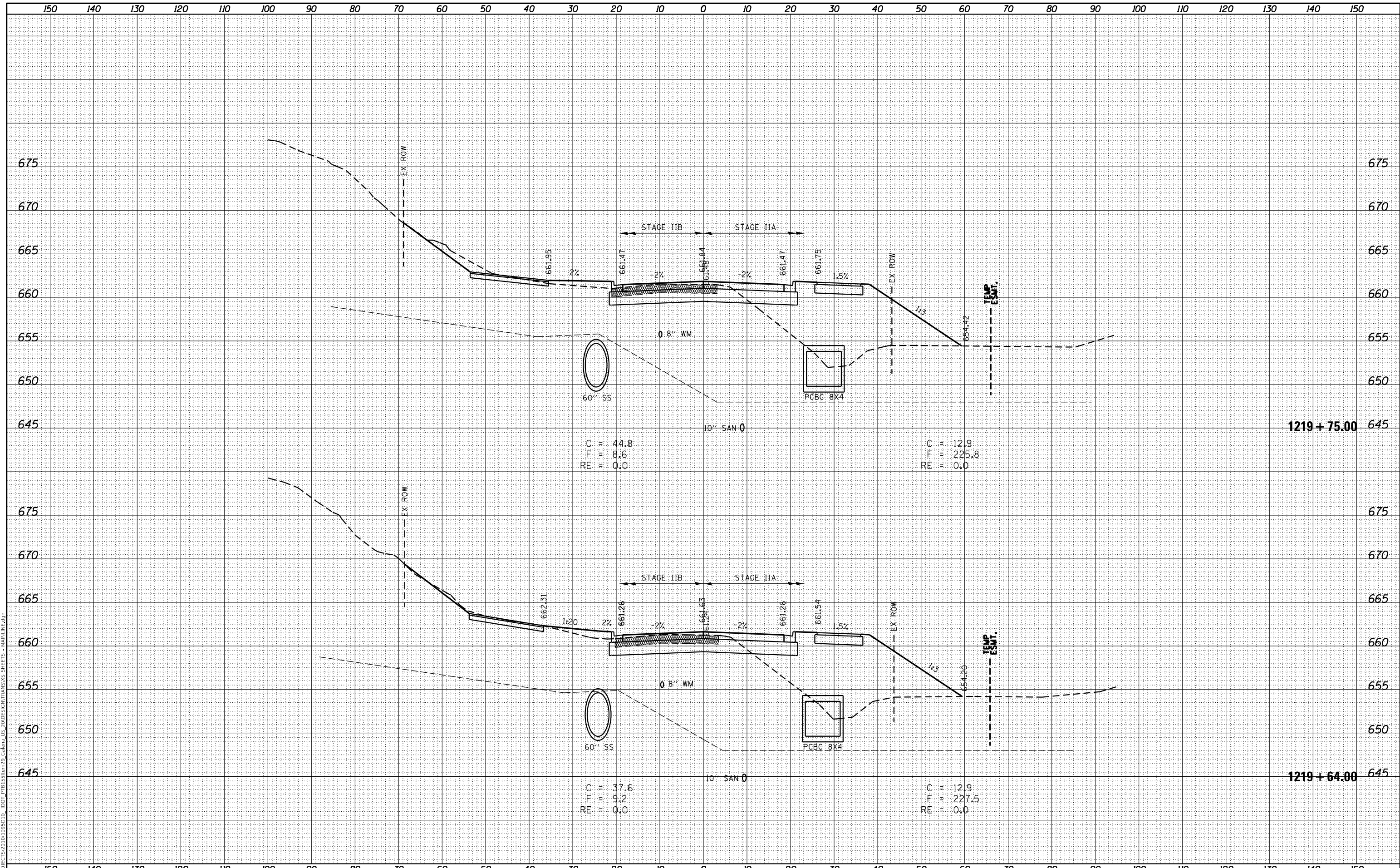
F.A.P. RTE.	SECTION	COUNTY	TOTAL SHEETS	SHEET NO.
301	29R-1	JO DAVIESS	679	534
CONTRACT NO. 64880				

ILLINOIS FED. AID PROJECT

DATE	
BY	
FINAL SURVEY	SURVEYED
NOTE BOOK	PLOTTED
NO.	TEMPLATE
	AREAS CHECKED
	AREAS CHECKED

DATE	
BY	
ORIGINAL SURVEY	SURVEYED
NOTE BOOK	PLOTTED
NO.	TEMPLATE
	AREAS CHECKED
	AREAS CHECKED

MODEL: Definit
 FILE NAME: S:\PROJECTS\2010\095510 - IDOT PFB E-Stream\29 Galena US 20\DESIGN\TRANSXVS SHEETS - MAIN\116.dwg



USER NAME = mslick	DESIGNED - AMF	REvised -
	DRAWN - TJA	REvised -
PLOT SCALE = 240,0000' / ft.	CHECKED - GFS	REvised -
PLOT DATE = 10/15/2021	DATE - 5/22/20	REvised -

**STATE OF ILLINOIS
DEPARTMENT OF TRANSPORTATION**

**IL RTE 84 / US 20
CROSS SECTIONS**

SCALE: N / A SHEET 113 OF 199 SHEETS STA. 1219+64.00 TO STA. 1219+75.00

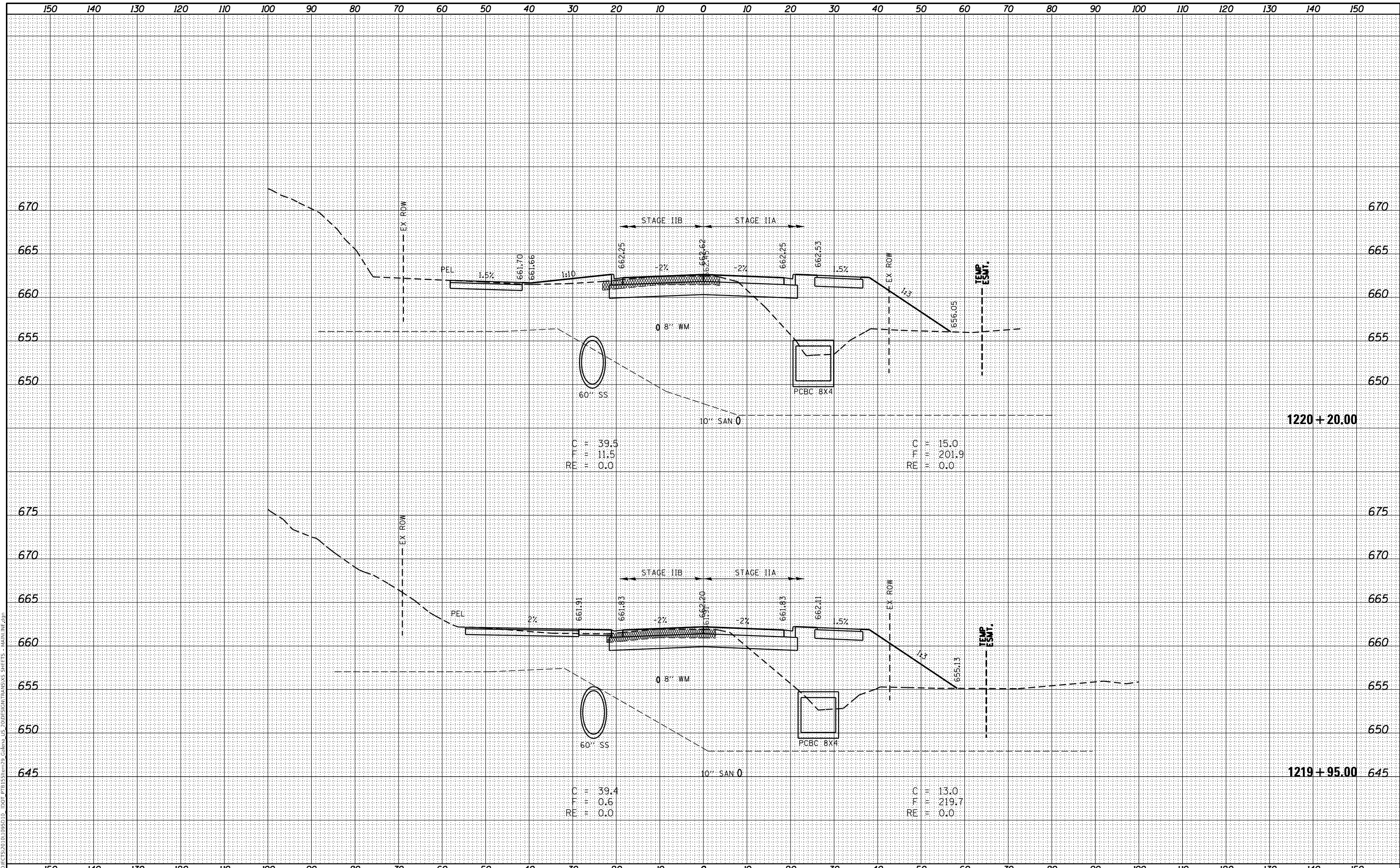
F.A.P. RTE.	SECTION	COUNTY	TOTAL SHEETS	SHEET NO.
301	29R-1	JO DAVIESS	679	535
			CONTRACT NO. 64880	

ILLINOIS FED. AID PROJECT

DATE	
BY	
FINAL SURVEY	SURVEYED
NOTE BOOK	PLOTTED
NO.	TEMPLATE
	AREAS
	CHECKED

DATE	
BY	
ORIGINAL SURVEY	SURVEYED
NOTE BOOK	PLOTTED
NO.	TEMPLATE
	AREAS
	CHECKED

MODEL: Definit
 FILE NAME: S:\PROJECTS\2010\095510 - IDOT PFB\ES\29 Galena US 20\DESIGN\TRANSXS SHEETS - MAIN\1F.dwg



USER NAME = mslick	DESIGNED - AMF	REVISED -
	DRAWN - TJA	REVISED -
PLOT SCALE = 240,0000' / ft.	CHECKED - GFS	REVISED -
PLOT DATE = 10/15/2021	DATE - 5/22/20	REVISED -

**STATE OF ILLINOIS
DEPARTMENT OF TRANSPORTATION**

**IL RTE 84 / US 20
CROSS SECTIONS**

SCALE: N / A SHEET 114 OF 199 SHEETS STA. 1219+95.00 TO STA. 1220+20.00

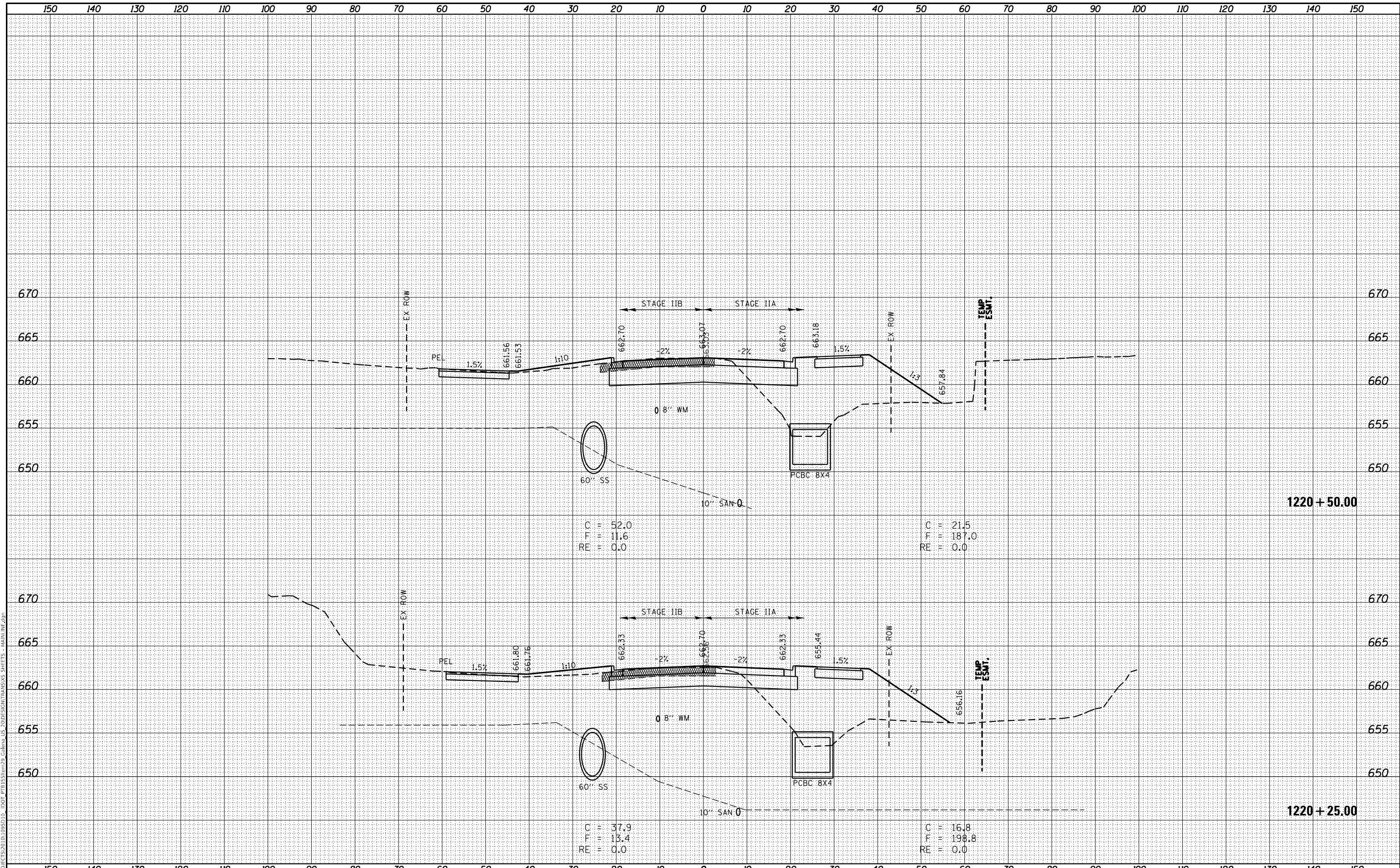
F.A.P. RTE.	SECTION	COUNTY	TOTAL SHEETS	SHEET NO.
301	29R-1	JO DAVIESS	679	536
			CONTRACT NO. 64880	

ILLINOIS FED. AID PROJECT

DATE	
BY	
SURVEYED	
PLOTTED	
TEMPLATE	
NOTE BOOK	
AREAS CHECKED	
NO.	

DATE	
BY	
SURVEYED	
PLOTTED	
TEMPLATE	
NOTE BOOK	
AREAS CHECKED	
NO.	

MODEL: Definit
 FILE NAME: S:\PROJECTS\2010\095510 - IDOT PFB\ESTIM\29_Galena_US-20\DESIGN\TRANSXS\SHEETS - MAIN\WF.dwg



WILLET HOFMANN ASSOCIATES INC.
 ENGINEERING ARCHITECTURE LAND SURVEYING
 809 EAST 2ND STREET, DEKalb, IL 61021-0387
 T: 815-284-4330 F: 815-284-0998

USER NAME = mslick	DESIGNED - AMF	REVISED -
	DRAWN - TJA	REVISED -
PLOT SCALE = 240,0000' / ft.	CHECKED - GFS	REVISED -
PLOT DATE = 10/15/2021	DATE - 5/22/20	REVISED -

**STATE OF ILLINOIS
 DEPARTMENT OF TRANSPORTATION**

**IL RTE 84 / US 20
 CROSS SECTIONS**

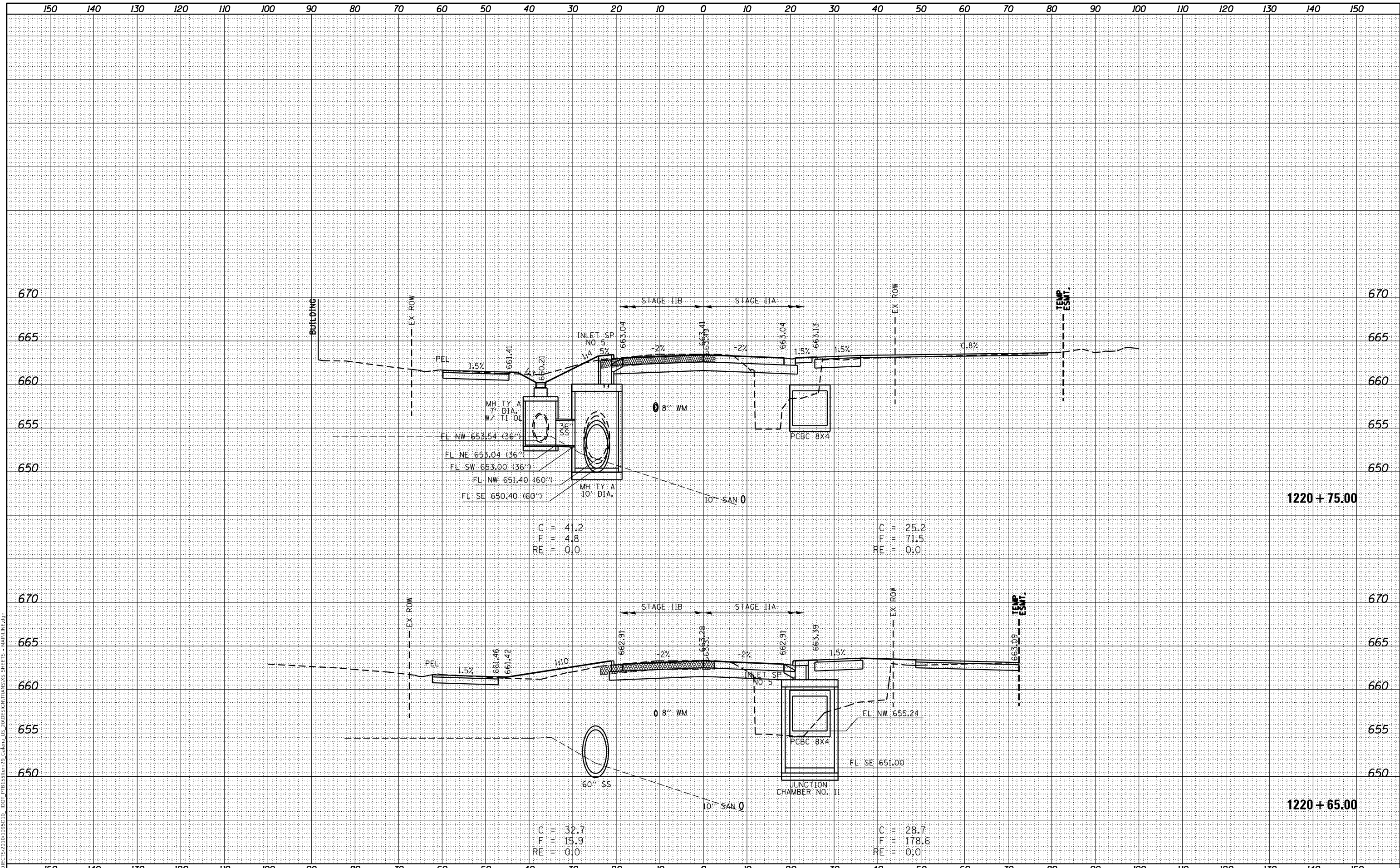
SCALE: N / A SHEET 115 OF 199 SHEETS STA. 1220+25.00 TO STA. 1220+50.00

F.A.P. RTE.	SECTION	COUNTY	TOTAL SHEETS	SHEET NO.
301	29R-1	JO DAVISS	679	537
			CONTRACT NO. 64880	
ILLINOIS FED. AID PROJECT				

DATE	
BY	
FINAL SURVEY	SURVEYED
NOTE BOOK	PLOTTED
NO.	TEMPLATE
	AREAS CHECKED

DATE	
BY	
ORIGINAL SURVEY	SURVEYED
NOTE BOOK	PLOTTED
NO.	TEMPLATE
	AREAS CHECKED

MODEL: Definit
 FILE NAME: S:\PROJECTS\2010\095510 - IDOT PFB\ESTIM99_Gallena_US-200DESIGN\TRANSXIS SHEETS - MAIN\INF.dwg



C = 41.2
 F = 4.8
 RE = 0.0

C = 25.2
 F = 71.5
 RE = 0.0

C = 32.7
 F = 15.9
 RE = 0.0

C = 28.7
 F = 178.6
 RE = 0.0



USER NAME = mslick	DESIGNED - AMF	REVISED -
	DRAWN - TJA	REVISED -
PLOT SCALE = 240,0000' / ft.	CHECKED - GFS	REVISED -
PLOT DATE = 10/15/2021	DATE - 5/22/20	REVISED -

**STATE OF ILLINOIS
 DEPARTMENT OF TRANSPORTATION**

**IL RTE 84 / US 20
 CROSS SECTIONS**

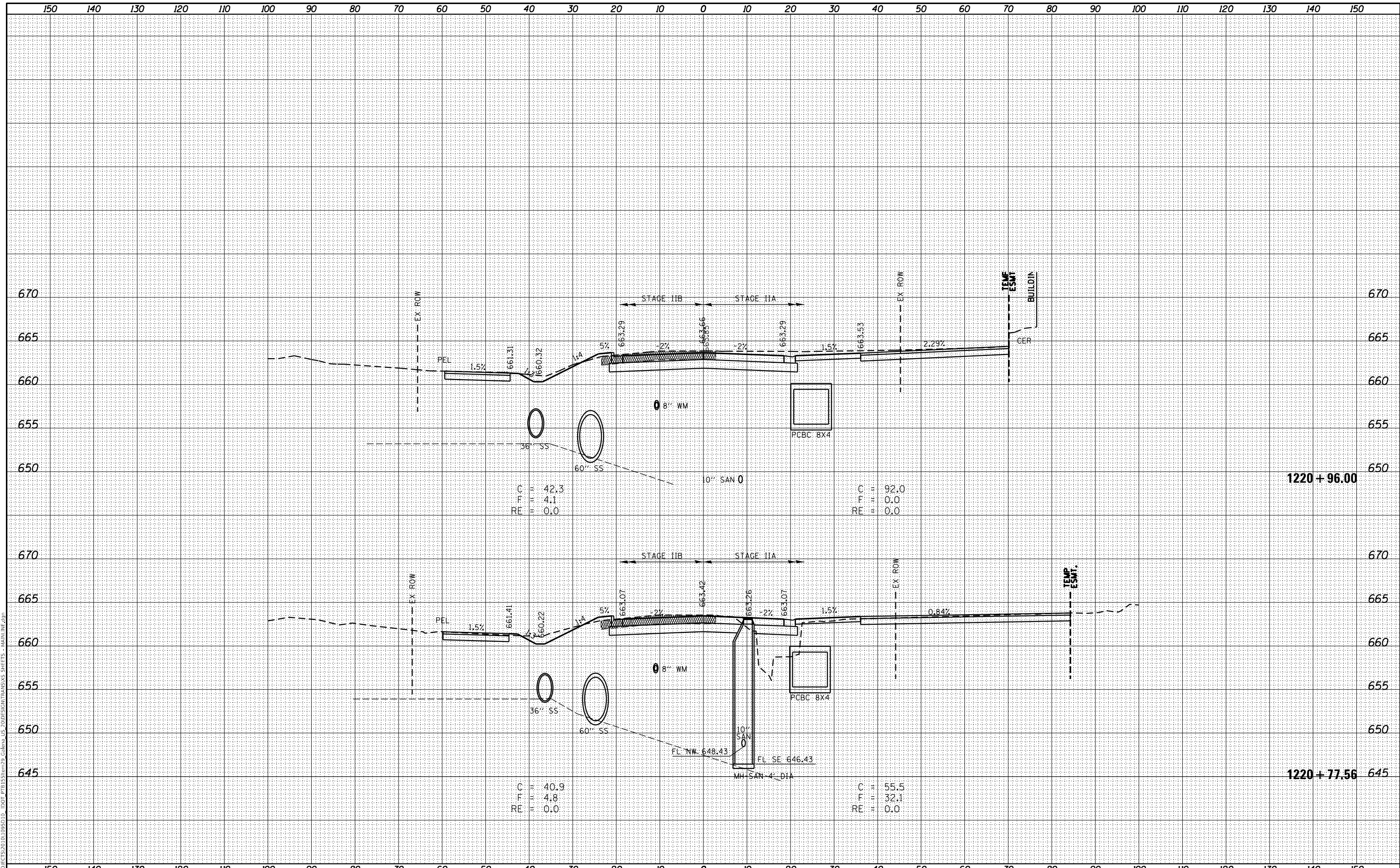
SCALE: N / A SHEET 116 OF 199 SHEETS STA. 1220+65.00 TO STA. 1220+75.00

F.A.P. RTE. 301	SECTION 29R-1	COUNTY JO DAVISS	TOTAL SHEETS 679	SHEET NO. 538
			CONTRACT NO. 64880	
ILLINOIS FED. AID PROJECT				

DATE	
BY	
FINAL SURVEY	
SURVEYED	
PLOTTED	
TEMPLATE	
NOTE BOOK	
AREAS CHECKED	
NO.	

DATE	
BY	
ORIGINAL SURVEY	
SURVEYED	
PLOTTED	
TEMPLATE	
NOTE BOOK	
AREAS CHECKED	
NO.	

MODEL: Definit
 FILE NAME: S:\PROJECTS\2010\095510 - IDOT PFB\ESTIM\29_Gallena_US-20\FINAL\TRANSXS SHEETS - MAIN\117.dwg



USER NAME = mslick	DESIGNED - AMF	REVISED -
	DRAWN - TJA	REVISED -
PLOT SCALE = 240,0000' / ft.	CHECKED - GFS	REVISED -
PLOT DATE = 10/15/2021	DATE - 5/22/20	REVISED -

**STATE OF ILLINOIS
DEPARTMENT OF TRANSPORTATION**

**IL RTE 84 / US 20
CROSS SECTIONS**

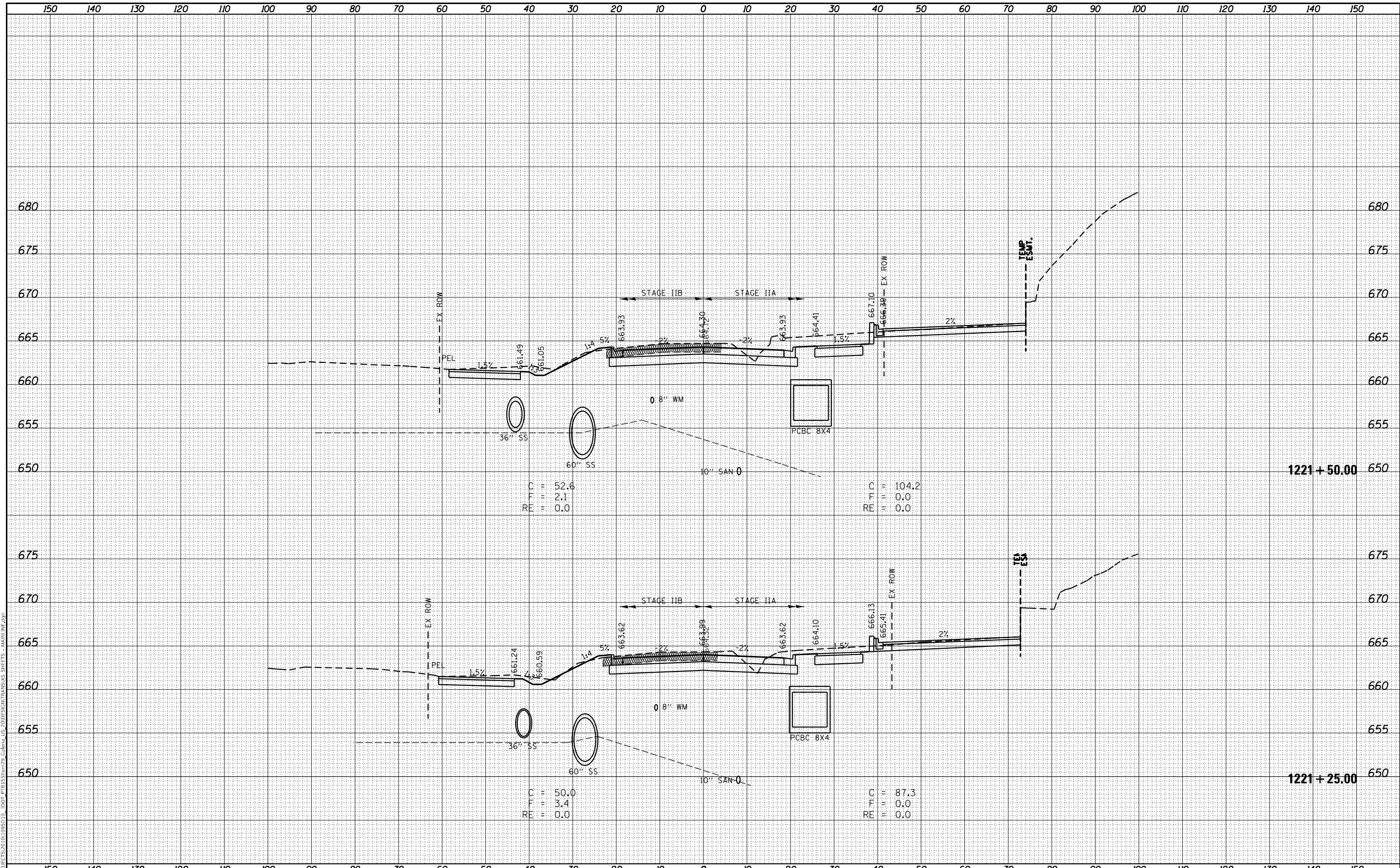
SCALE: N / A SHEET 117 OF 199 SHEETS STA. 1220+77.56 TO STA. 1220+96.00

F.A.P. RTE.	SECTION	COUNTY	TOTAL SHEETS	SHEET NO.
301	29R-1	JO DAVIESS	679	539
			CONTRACT NO. 64880	
ILLINOIS FED. AID PROJECT				

DATE	
BY	
SURVEYED	
PLOTTED	
TEMPLATE	
AREAS	
CHECKED	
NO.	

DATE	
BY	
SURVEYED	
PLOTTED	
TEMPLATE	
AREAS	
CHECKED	
NO.	

MODEL: Definit
 FILE NAME: S:\PROJECTS\2010\095510 - IDOT PFB\ESTIM\29 Galena US 20\DESIGN\TRANSXS SHEETS - MAIN\1F.dwg



USER NAME	= mslick
DESIGNED	- AMF
DRAWN	- TJA
CHECKED	- GFS
DATE	- 5/22/20

REVISED	-
REVISED	-
REVISED	-
REVISED	-

**STATE OF ILLINOIS
DEPARTMENT OF TRANSPORTATION**

**IL RTE 84 / US 20
CROSS SECTIONS**

SCALE: N / A SHEET 118 OF 199 SHEETS STA. 1221+25.00 TO STA. 1221+50.00

F.A.P. RTE.	SECTION	COUNTY	TOTAL SHEETS	SHEET NO.
301	29R-1	JO DAVIESS	679	540
				CONTRACT NO. 64880
ILLINOIS FED. AID PROJECT				

FINAL SURVEY NO.	SURVEYED	DATE
NOTE BOOK	PLOTTED	
AREAS CHECKED	TEMPLATE	
	AREAS CHECKED	

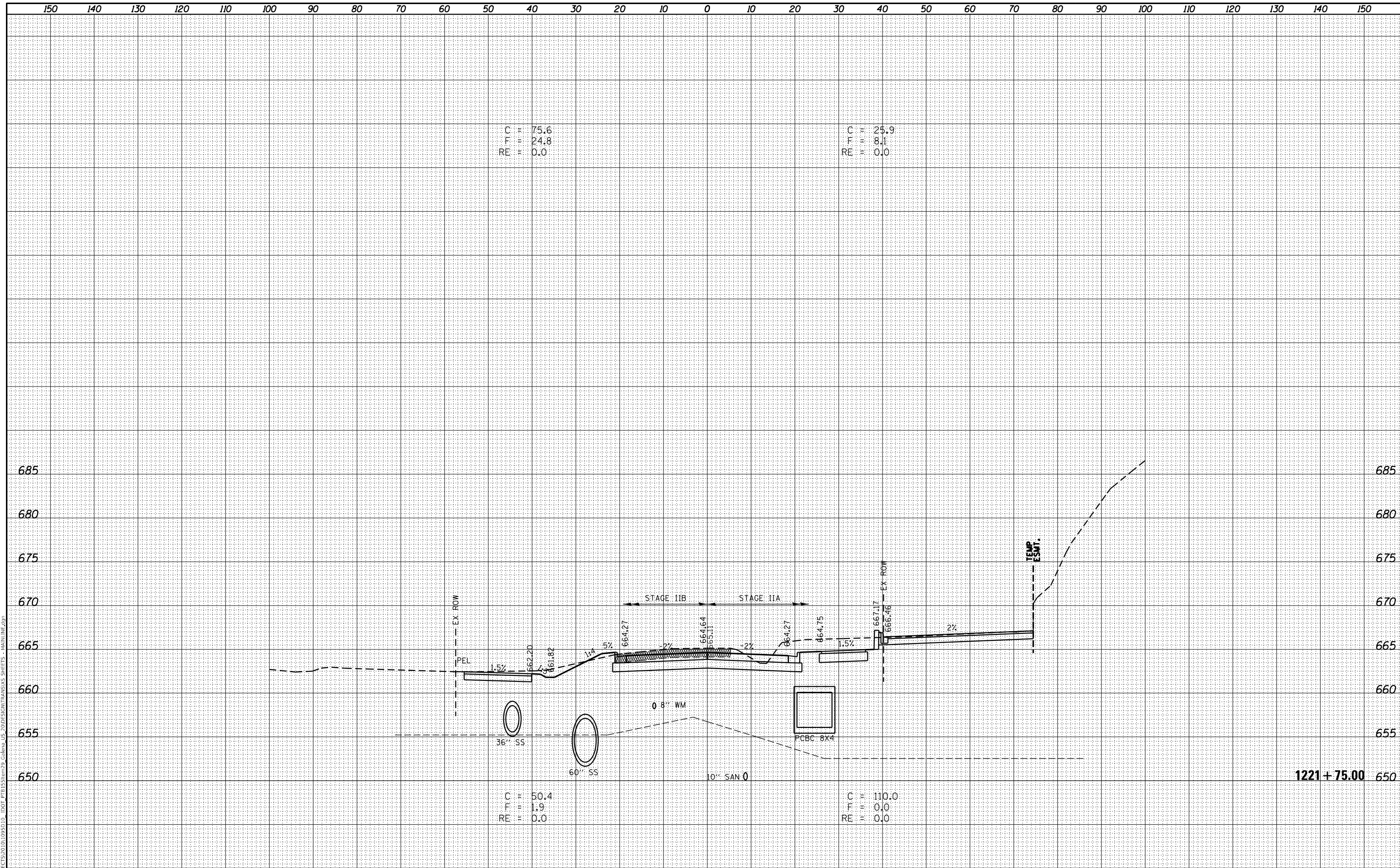
ORIGINAL SURVEY NO.	SURVEYED	DATE
NOTE BOOK	PLOTTED	
AREAS CHECKED	TEMPLATE	
	AREAS CHECKED	

C = 75.6
F = 24.8
RE = 0.0

C = 25.9
F = 8.1
RE = 0.0

C = 50.4
F = 1.9
RE = 0.0

C = 110.0
F = 0.0
RE = 0.0



1221+75.00



USER NAME = mslick	DESIGNED - AMF	REVISIED -
	DRAWN - TJA	REVISIED -
PLOT SCALE = 240,0000' / ft.	CHECKED - GFS	REVISIED -
PLOT DATE = 10/15/2021	DATE - 5/22/20	REVISIED -

STATE OF ILLINOIS
DEPARTMENT OF TRANSPORTATION

IL RTE 84 / US 20
CROSS SECTIONS

SCALE: N / A SHEET 119 OF 199 SHEETS STA. 1221+75.00 TO STA. 1221+75.00

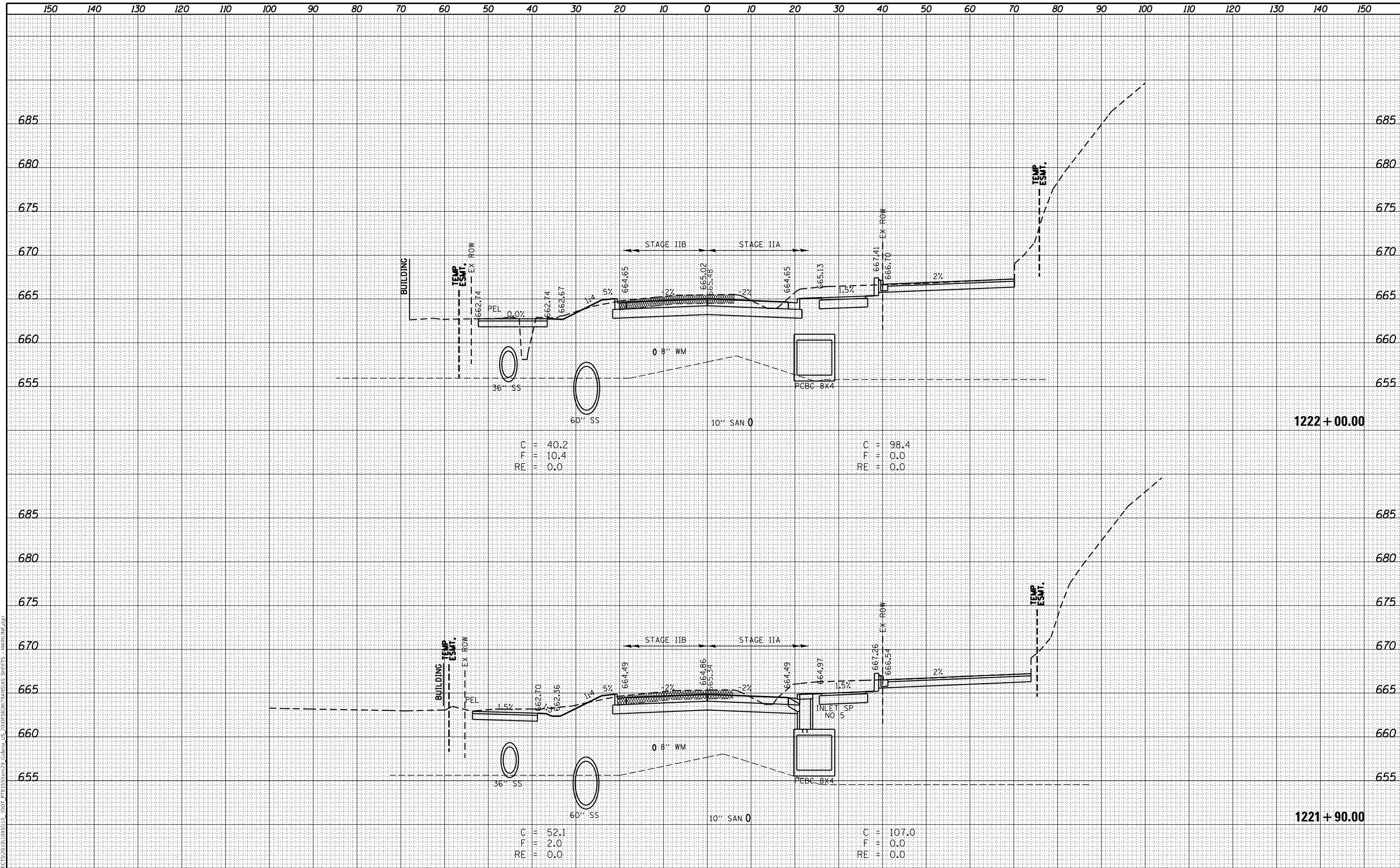
F.A.P. RTE.	SECTION	COUNTY	TOTAL SHEETS	SHEET NO.
301	29R-1	JO DAVIESS	679	541
				CONTRACT NO. 64880

ILLINOIS FED. AID PROJECT

DATE	
BY	
SURVEYED	
PLOTTED	
TEMPLATE	
NOTE BOOK	
AREAS CHECKED	
NO.	

DATE	
BY	
SURVEYED	
PLOTTED	
TEMPLATE	
NOTE BOOK	
AREAS CHECKED	
NO.	

MODEL: Definit
 FILE NAME: S:\PROJECTS\2010\1095510 - IDOT PFB E-Station 29 - Galena US 20\DESIGN\TRANSXIS SHEETS - MAIN\1095510.dwg



C = 40.2
 F = 10.4
 RE = 0.0

C = 98.4
 F = 0.0
 RE = 0.0

C = 52.1
 F = 2.0
 RE = 0.0

C = 107.0
 F = 0.0
 RE = 0.0



USER NAME	= mslick
DESIGNED	- AMF
DRAWN	- TJA
CHECKED	- GFS
DATE	- 5/22/20
PLLOT SCALE	= 240,0000' / ft.
PLLOT DATE	= 10/15/2021

REVISED	-
REVISED	-
REVISED	-
REVISED	-

STATE OF ILLINOIS
DEPARTMENT OF TRANSPORTATION

IL RTE 84 / US 20
CROSS SECTIONS

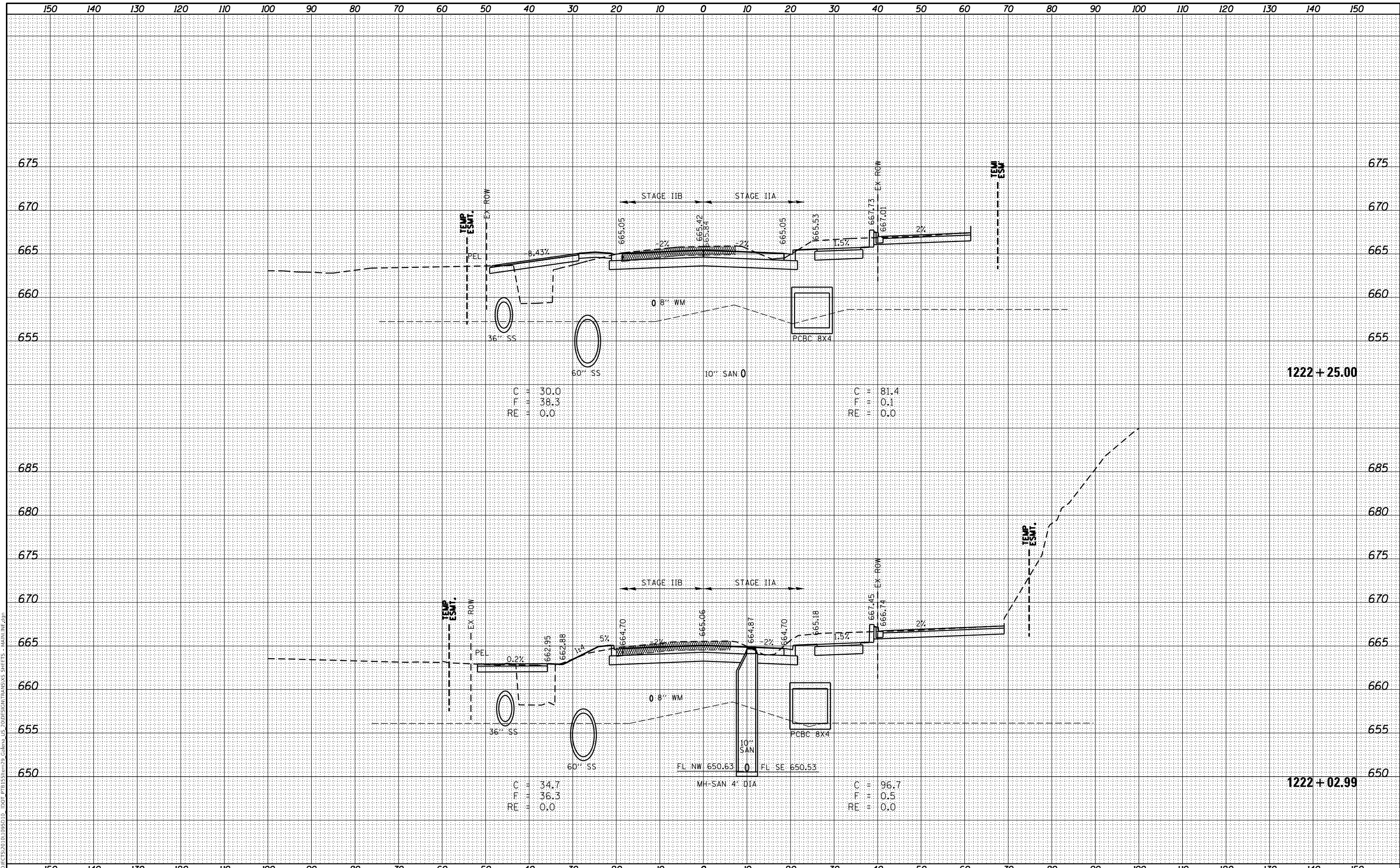
SCALE: N / A SHEET 120 OF 199 SHEETS STA. 1221+90.00 TO STA. 1222+00.00

F.A.P. RTE.	SECTION	COUNTY	TOTAL SHEETS	SHEET NO.
301	29R-1	JO DAVIESS	679	542
			CONTRACT NO. 64880	
ILLINOIS FED. AID PROJECT				

DATE	
BY	
FINAL SURVEY	SURVEYED
NOTE BOOK	PLOTTED
NO.	TEMPLATE
	AREAS CHECKED
	AREAS CHECKED

DATE	
BY	
ORIGINAL SURVEY	SURVEYED
NOTE BOOK	PLOTTED
NO.	TEMPLATE
	AREAS CHECKED
	AREAS CHECKED

MODEL: Definit
 FILE NAME: S:\PROJECTS\2010\1095510 - IDOT PFB\ESTIM99_Gallena_US-200\DESIGN\TRANSXS\SHEETS - MAIN\1F1E.dwg



USER NAME = mslick	DESIGNED - AMF	REVISED -
	DRAWN - TJA	REVISED -
PLOT SCALE = 240,0000' / ft.	CHECKED - GFS	REVISED -
PLOT DATE = 10/15/2021	DATE - 5/22/20	REVISED -

**STATE OF ILLINOIS
DEPARTMENT OF TRANSPORTATION**

**IL RTE 84 / US 20
CROSS SECTIONS**

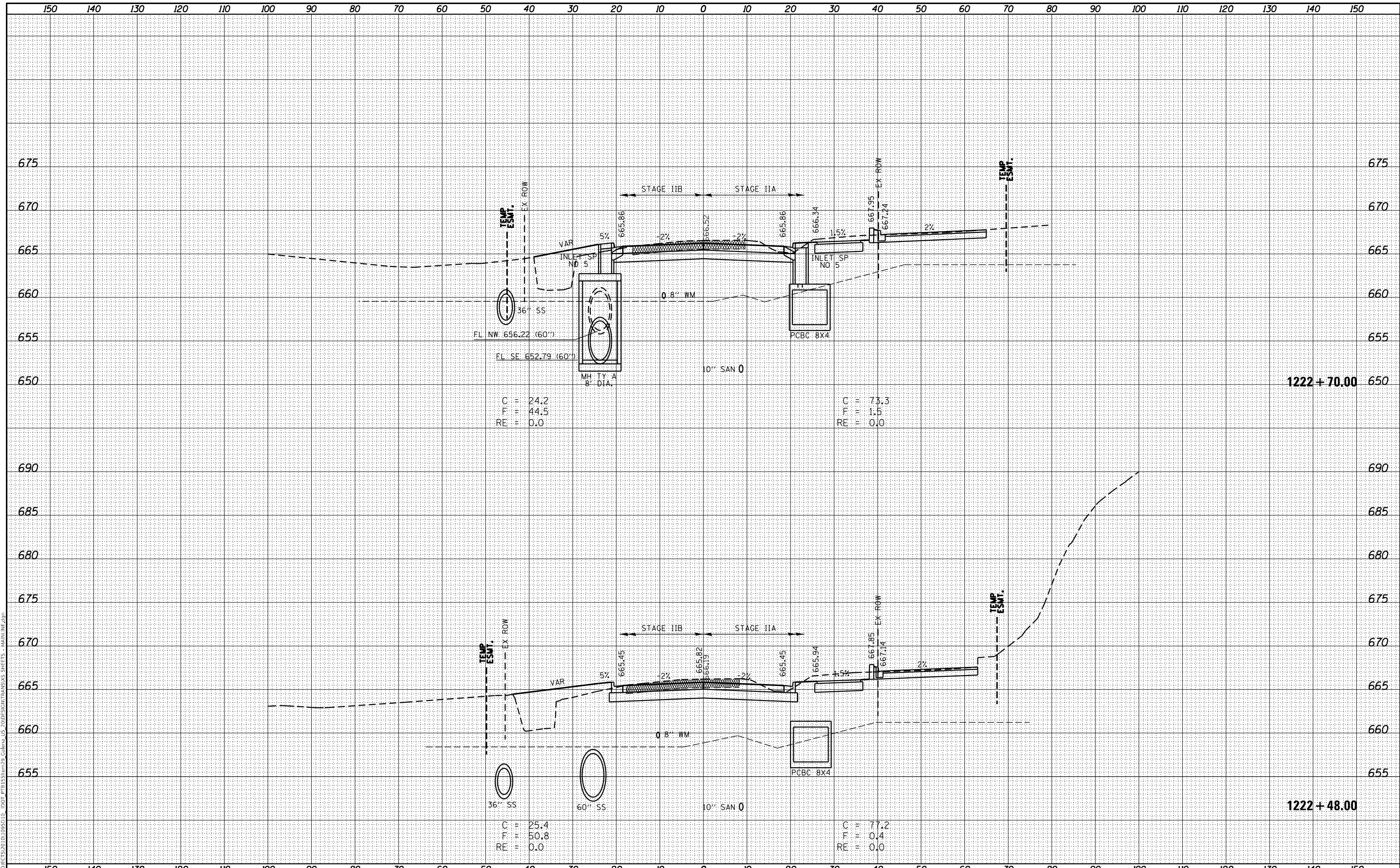
SCALE: N / A SHEET 121 OF 199 SHEETS STA. 1222+02.99 TO STA. 1222+25.00

F.A.P. RTE. 301	SECTION 29R-1	COUNTY JO DAVIESS	TOTAL SHEETS 679	SHEET NO. 543
			CONTRACT NO. 64880	
ILLINOIS FED. AID PROJECT				

DATE	
BY	
FINAL SURVEY	SURVEYED
NOTE BOOK	PLOTTED
NO.	TEMPLATE
	AREAS CHECKED

DATE	
BY	
ORIGINAL SURVEY	SURVEYED
NOTE BOOK	PLOTTED
NO.	TEMPLATE
	AREAS CHECKED

MODEL: Definit
 FILE NAME: S:\PROJECTS\2010\095510 - IDOT P1B15\29-Galena US 20\DESIGN\TRANSXS SHEETS - MAIN\1F.dwg
 NO. 29



USER NAME	= mslick
DESIGNED	- AMF
DRAWN	- TJA
CHECKED	- GFS
DATE	- 5/22/20
PLOT SCALE	= 240,0000' / ft.
PLOT DATE	= 10/15/2021

REVISED	-
REVISED	-
REVISED	-
REVISED	-

STATE OF ILLINOIS
DEPARTMENT OF TRANSPORTATION

IL RTE 84 / US 20
CROSS SECTIONS

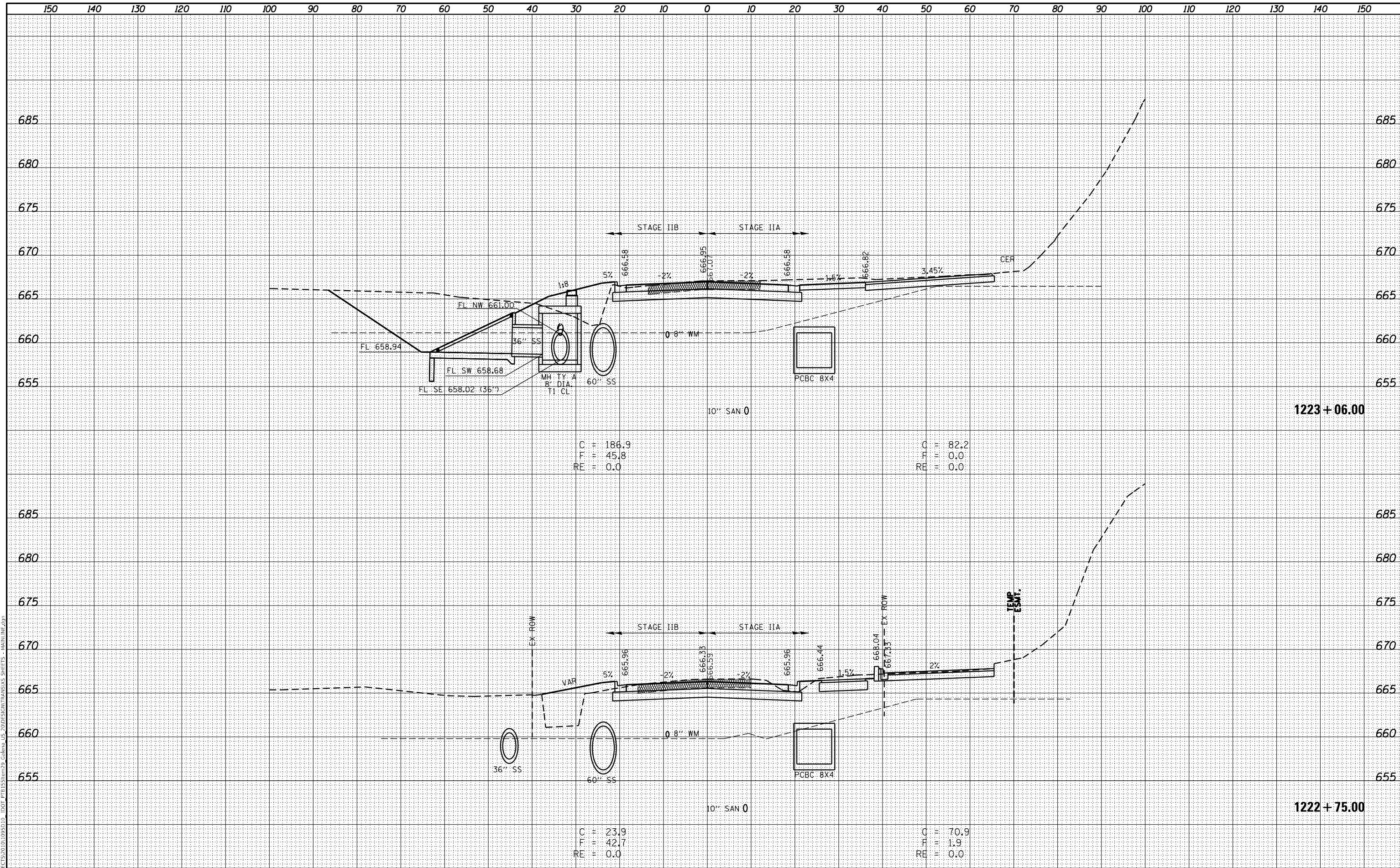
SCALE: N / A SHEET 122 OF 199 SHEETS STA. 1222+48.00 TO STA. 1222+70.00

F.A.P. RTE.	SECTION	COUNTY	TOTAL SHEETS	SHEET NO.
301	29R-1	JO DAVIESS	679	544
			CONTRACT NO. 64880	
ILLINOIS FED. AID PROJECT				

DATE	
BY	
FINAL SURVEY	SURVEYED
NOTE BOOK	PLOTTED
NO.	TEMPLATE
	AREAS
	CHECKED

DATE	
BY	
ORIGINAL SURVEY	SURVEYED
NOTE BOOK	PLOTTED
NO.	TEMPLATE
	AREAS
	CHECKED

MODEL: Definit
 FILE NAME: S:\PROJECTS\2010\095510 - IDOT P1B15\29 Galena US 20\DESIGN\TRANSXS SHEETS - MAIN\1F.dwg



C = 186.9
 F = 45.8
 RE = 0.0

C = 82.2
 F = 0.0
 RE = 0.0

C = 23.9
 F = 42.7
 RE = 0.0

C = 70.9
 F = 1.9
 RE = 0.0



USER NAME = mslick	DESIGNED - AMF	REVISED -
	DRAWN - TJA	REVISED -
PLOT SCALE = 240,0000' / ft.	CHECKED - GFS	REVISED -
PLOT DATE = 10/15/2021	DATE - 5/22/20	REVISED -

STATE OF ILLINOIS
 DEPARTMENT OF TRANSPORTATION

IL RTE 84 / US 20
 CROSS SECTIONS

SCALE: N / A SHEET 123 OF 199 SHEETS STA. 1222+75.00 TO STA. 1223+06.00

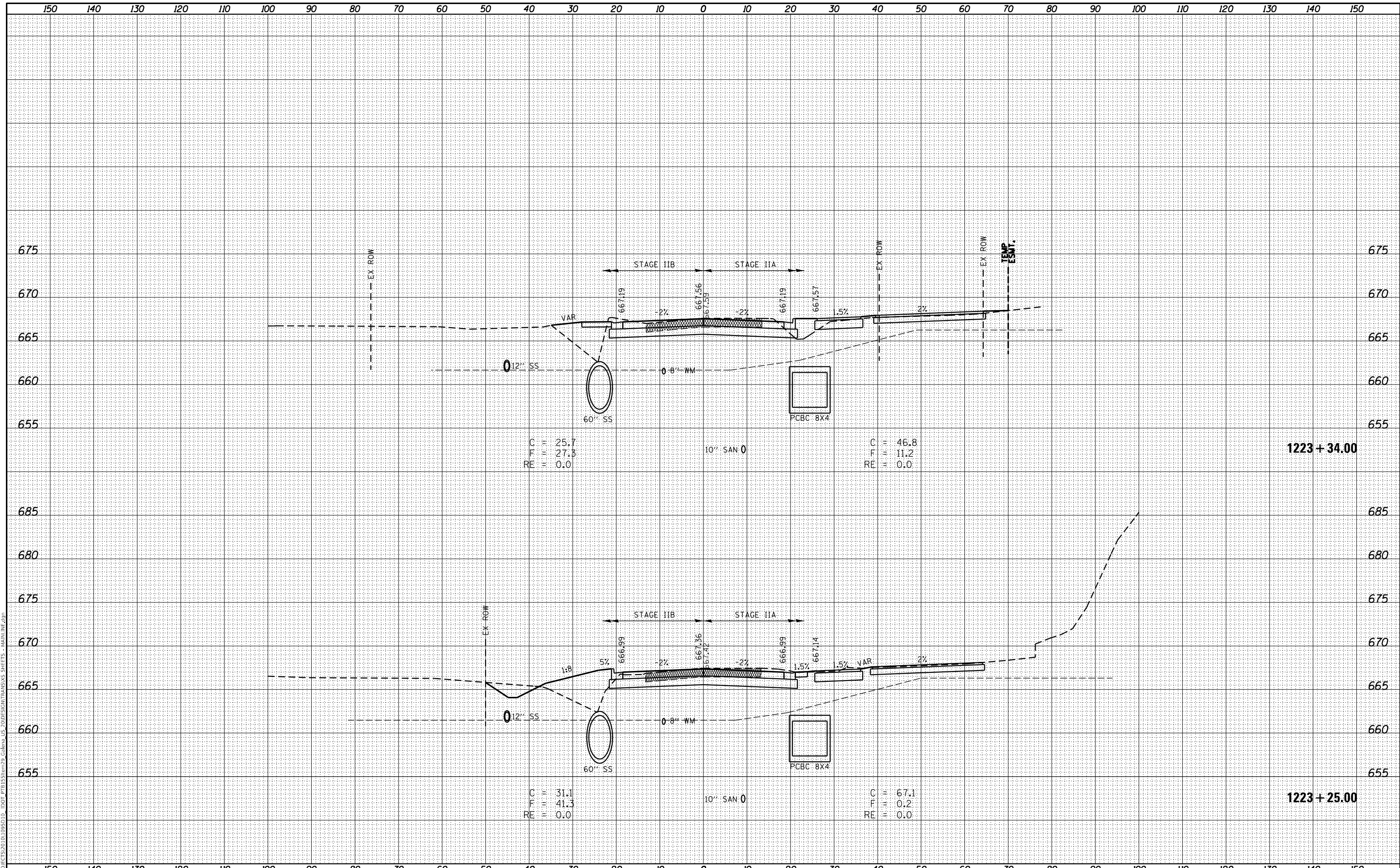
F.A.P. RTE.	SECTION	COUNTY	TOTAL SHEETS	SHEET NO.
301	29R-1	JO DAVIESS	679	545
			CONTRACT NO. 64880	

ILLINOIS FED. AID PROJECT

DATE	
BY	
SURVEYED	
PLOTTED	
TEMPLATE	
NOTE BOOK	
AREAS CHECKED	
NO.	

DATE	
BY	
SURVEYED	
PLOTTED	
TEMPLATE	
NOTE BOOK	
AREAS CHECKED	
NO.	

MODEL: Definit
 FILE NAME: S:\PROJECTS\2010\1095510 - IDOT PFB\ESTIM99_Gallena_US-20\DESIGN\TRANSXS SHEETS - MAIN\1F.dwg



USER NAME = mslick	DESIGNED - AMF	REVISD -
	DRAWN - TJA	REVISD -
PLOT SCALE = 240,0000' / ft.	CHECKED - GFS	REVISD -
PLOT DATE = 10/15/2021	DATE - 5/22/20	REVISD -

**STATE OF ILLINOIS
 DEPARTMENT OF TRANSPORTATION**

**IL RTE 84 / US 20
 CROSS SECTIONS**

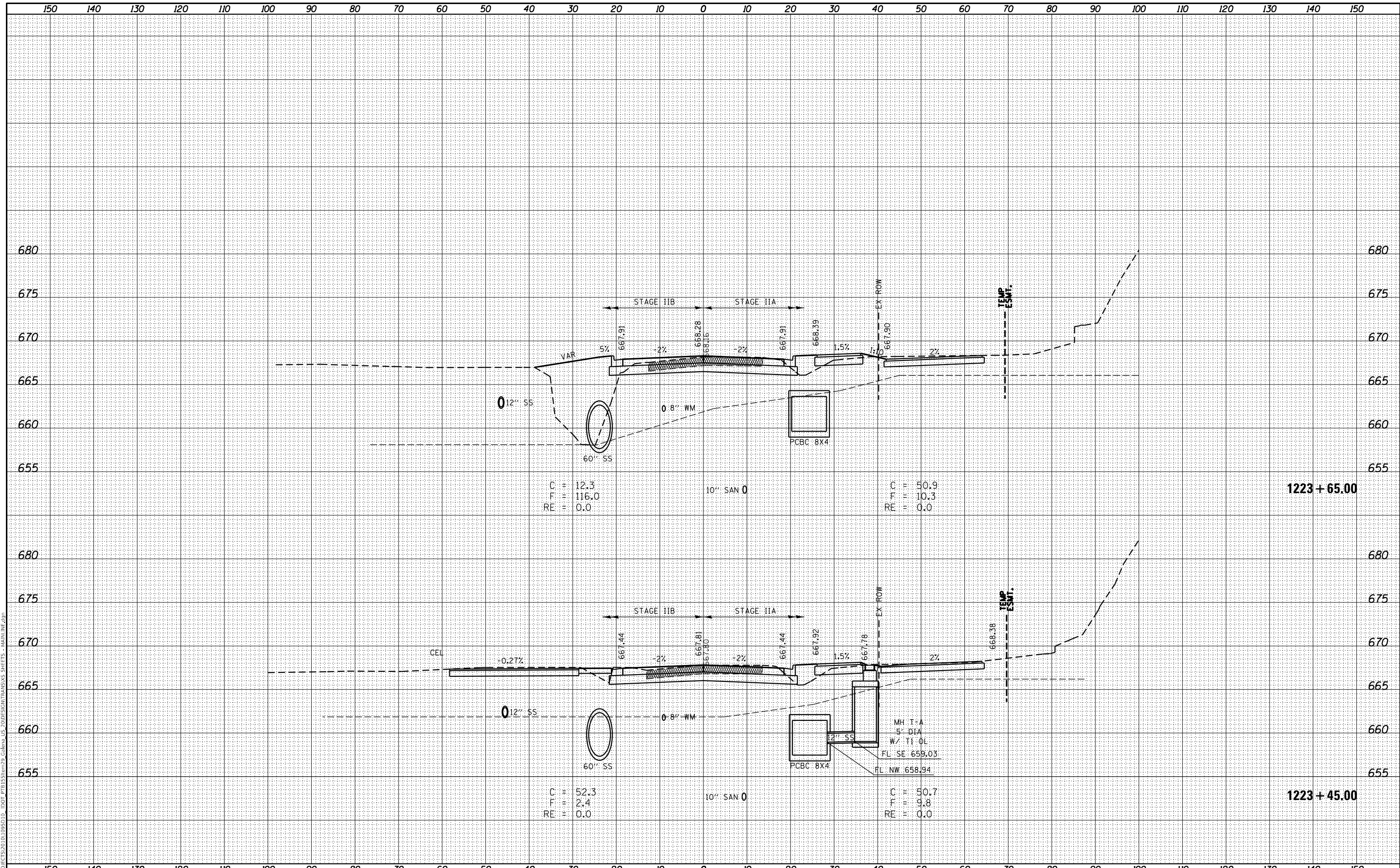
SCALE: N / A SHEET 124 OF 199 SHEETS STA. 1223+25.00 TO STA. 1223+34.00

F.A.P. RTE.	SECTION	COUNTY	TOTAL SHEETS	SHEET NO.
301	29R-1	JO DAVISSL	679	546
			CONTRACT NO. 64880	
ILLINOIS FED. AID PROJECT				

DATE	
BY	
FINAL SURVEY	SURVEYED
NOTE BOOK	PLOTTED
NO.	TEMPLATE
	AREAS CHECKED

DATE	
BY	
ORIGINAL SURVEY	SURVEYED
NOTE BOOK	PLOTTED
NO.	TEMPLATE
	AREAS CHECKED

MODEL: Definit
 FILE NAME: S:\PROJECTS\2010\095510 - IDOT PFB E-Stream\29_Galena US 20\DOTSIGN\TRANSXIS SHEETS - MAIN\1F.dwg



WILLET HOFMANN ASSOCIATES INC.
 ENGINEERING ARCHITECTURE LAND SURVEYING
 809 EAST 2ND STREET, DEKalb, IL 61021-0387
 T: 815-284-1330 F: 815-284-1339

USER NAME = mslick	DESIGNED - AMF	REVISED -
	DRAWN - TJA	REVISED -
PLOT SCALE = 240,0000' / ft.	CHECKED - GFS	REVISED -
PLOT DATE = 10/15/2021	DATE - 5/22/20	REVISED -

STATE OF ILLINOIS
DEPARTMENT OF TRANSPORTATION

IL RTE 84 / US 20
CROSS SECTIONS

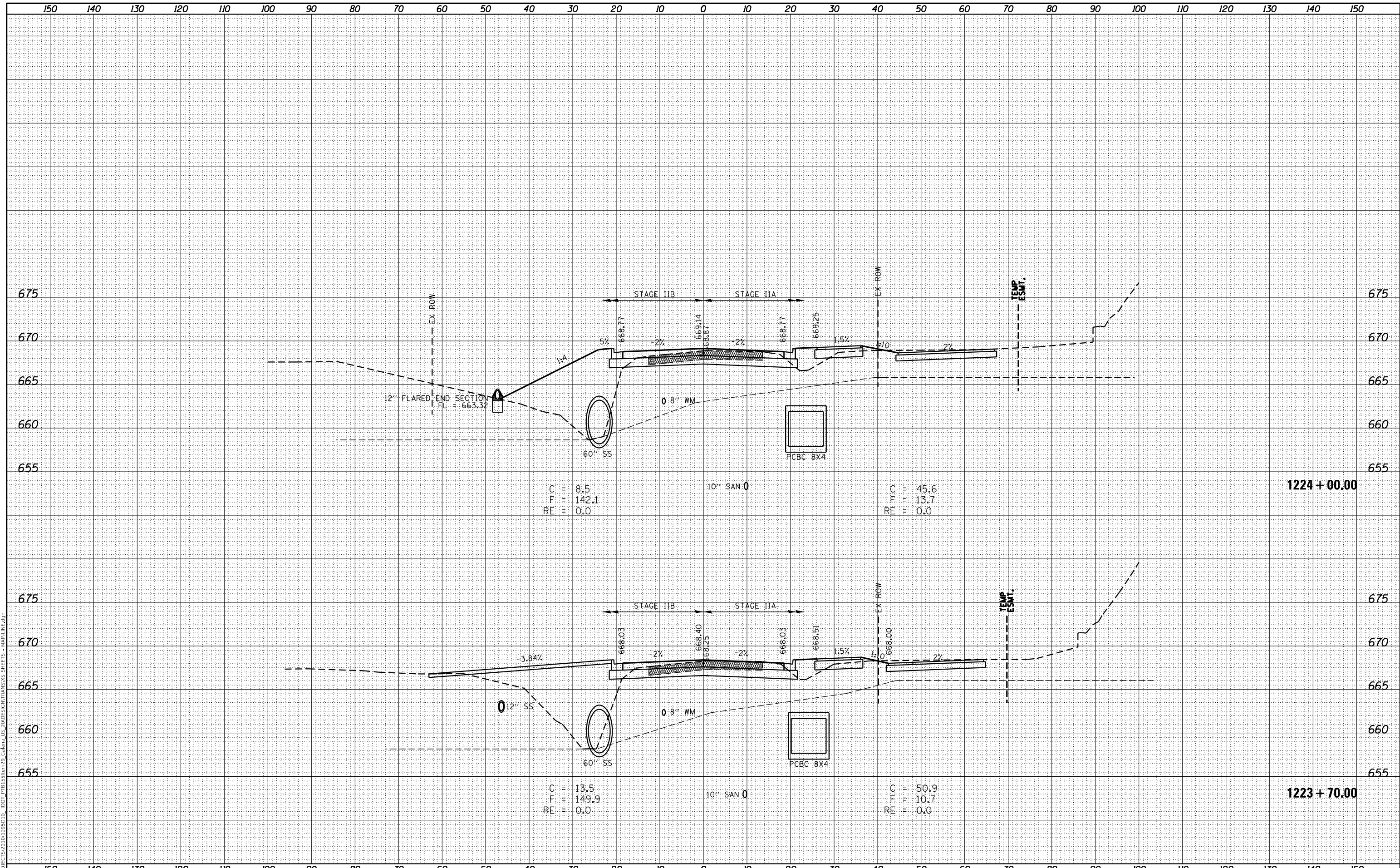
SCALE: N / A SHEET 125 OF 199 SHEETS STA. 1223+45.00 TO STA. 1223+65.00

F.A.P. RTE.	SECTION	COUNTY	TOTAL SHEETS	SHEET NO.
301	29R-1	JO DAVIESS	679	547
			CONTRACT NO. 64880	
ILLINOIS FED. AID PROJECT				

DATE	
BY	
SURVEYED	
PLOTTED	
TEMPLATE	
NOTE BOOK	
AREAS CHECKED	
NO.	

DATE	
BY	
SURVEYED	
PLOTTED	
TEMPLATE	
NOTE BOOK	
AREAS CHECKED	
NO.	

MODEL: Definit
 FILE NAME: S:\PROJECTS\2010\095510 - IDOT PFB\ESTIM\29 Galena US 20\DESIGN\TRANSXS SHEETS - MAIN\16.dwg



USER NAME = mslick	DESIGNED - AMF	REVISED -
	DRAWN - TJA	REVISED -
PLOT SCALE = 240,0000' / ft.	CHECKED - GFS	REVISED -
PLOT DATE = 10/15/2021	DATE - 5/22/20	REVISED -

**STATE OF ILLINOIS
DEPARTMENT OF TRANSPORTATION**

**IL RTE 84 / US 20
CROSS SECTIONS**

SCALE: N / A SHEET 126 OF 199 SHEETS STA. 1223+70.00 TO STA. 1224+00.00

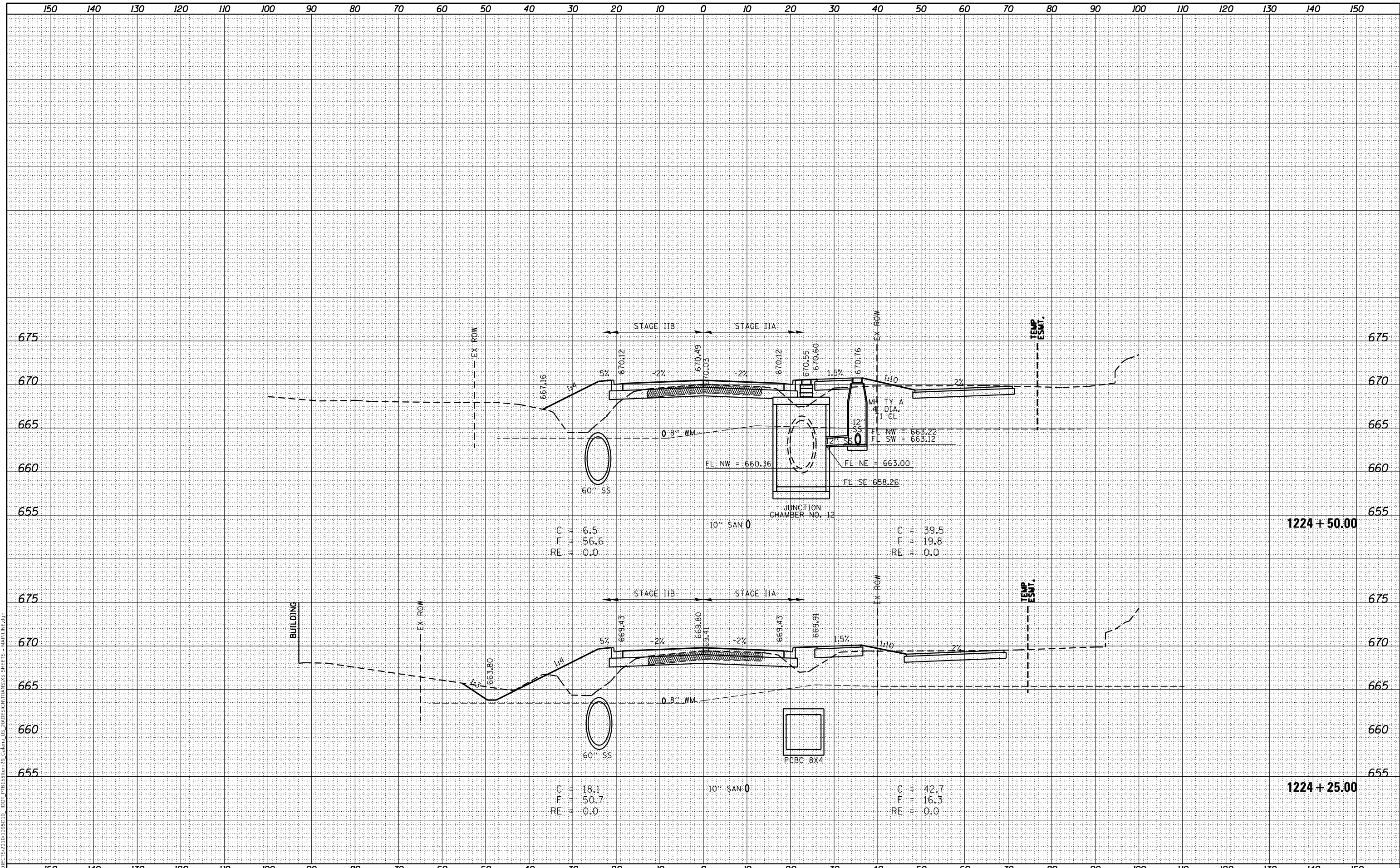
F.A.P. RTE.	SECTION	COUNTY	TOTAL SHEETS	SHEET NO.
301	29R-1	JO DAVIESS	679	548
			CONTRACT NO. 64880	

ILLINOIS FED. AID PROJECT

DATE	
BY	
SURVEYED	
PLOTTED	
TEMPLATE	
AREAS CHECKED	
FINAL SURVEY NO.	
NOTE BOOK NO.	
AREAS CHECKED	

DATE	
BY	
SURVEYED	
PLOTTED	
TEMPLATE	
AREAS CHECKED	
ORIGINAL SURVEY NO.	
NOTE BOOK NO.	
AREAS CHECKED	

MODEL: Definit
 FILE NAME: S:\PROJECTS\2010\095510 - IDOT PFB\ESTIM99_Gallena_US-200\DESIGN\TRANSXS SHEETS - MAIN\1F.dwg



WILLET HOFMANN ASSOCIATES INC.
 ENGINEERING ARCHITECTURE LAND SURVEYING
 809 EAST 2ND STREET, DEKalb, IL 61021-0387
 T: 815-284-1330 F: 815-284-0998

USER NAME = mslick	DESIGNED - AMF	REVISED -
	DRAWN - TJA	REVISED -
PLOT SCALE = 240,0000' / ft.	CHECKED - GFS	REVISED -
PLOT DATE = 10/15/2021	DATE - 5/22/20	REVISED -

**STATE OF ILLINOIS
 DEPARTMENT OF TRANSPORTATION**

**IL RTE 84 / US 20
 CROSS SECTIONS**

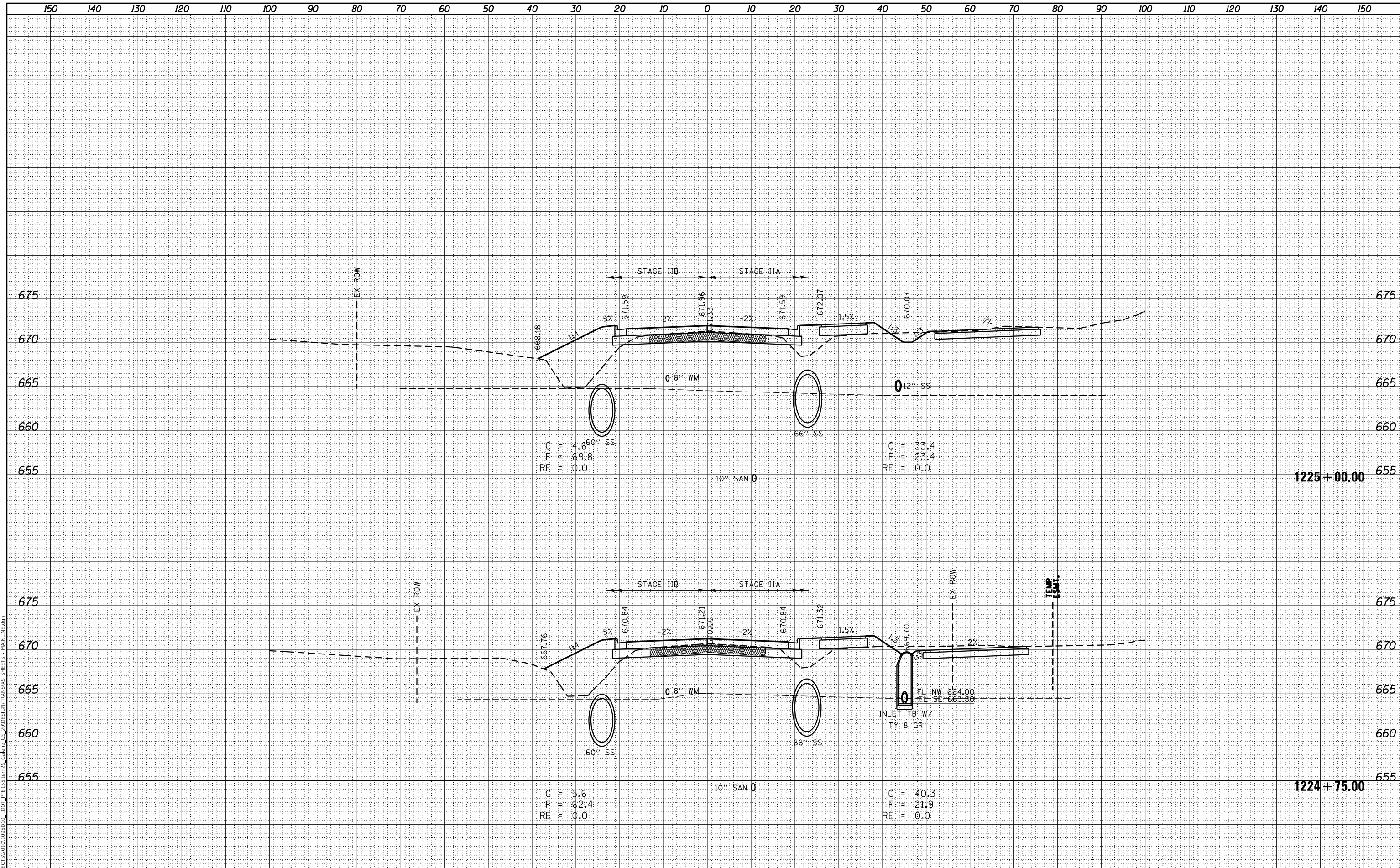
SCALE: N / A SHEET 127 OF 199 SHEETS STA. 1224+25.00 TO STA. 1224+50.00

F.A.P. RTE.	SECTION	COUNTY	TOTAL SHEETS	SHEET NO.
301	29R-1	JO DAVIESS	679	549
			CONTRACT NO. 64880	
ILLINOIS FED. AID PROJECT				

DATE	
BY	
FINAL SURVEY	SURVEYED
NOTE BOOK	PLOTTED
NO.	TEMPLATE
	AREAS CHECKED
	AREAS CHECKED

DATE	
BY	
ORIGINAL SURVEY	SURVEYED
NOTE BOOK	PLOTTED
NO.	TEMPLATE
	AREAS CHECKED
	AREAS CHECKED

MODEL: Definit
 FILE NAME: S:\PROJECTS\2010\095510 - IDOT PFB\ESTIM\29_Galena_US-20\DESIGN\TRANSXIS SHEETS - MAIN\1F.dwg



USER NAME = mslick	DESIGNED - AMF	REvised -
	DRAWN - TJA	REvised -
PLOT SCALE = 240,0000' / ft.	CHECKED - GFS	REvised -
PLOT DATE = 10/15/2021	DATE - 5/22/20	REvised -

**STATE OF ILLINOIS
DEPARTMENT OF TRANSPORTATION**

**IL RTE 84 / US 20
CROSS SECTIONS**

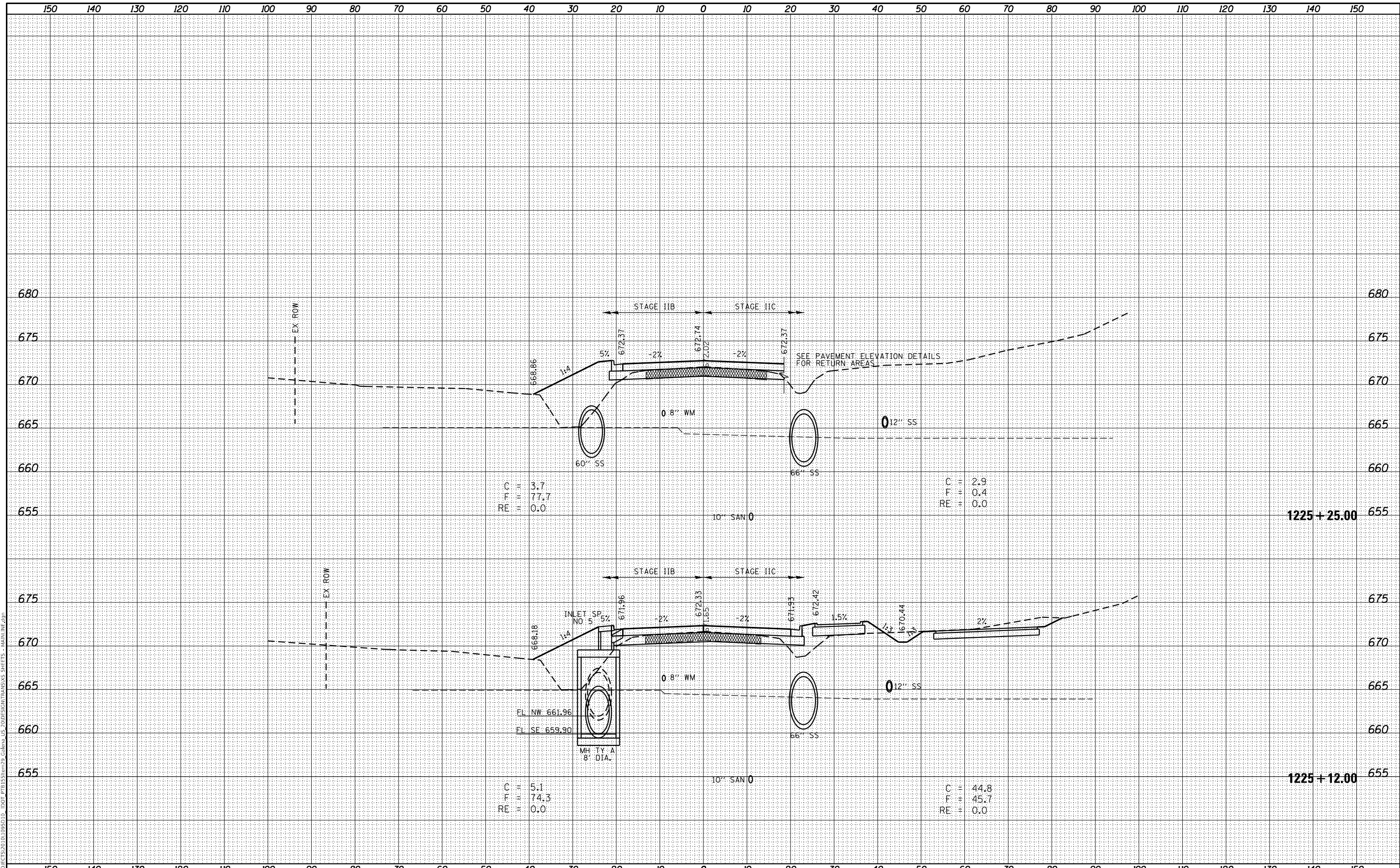
SCALE: N / A SHEET 128 OF 199 SHEETS STA. 1224+75.00 TO STA. 1225+00.00

F.A.P. RTE.	SECTION	COUNTY	TOTAL SHEETS	SHEET NO.
301	29R-1	JO DAVIESS	679	550
			CONTRACT NO. 64880	
ILLINOIS FED. AID PROJECT				

DATE	
BY	
SURVEYED	
PLOTTED	
TEMPLATE	
NOTE BOOK	
AREAS CHECKED	
NO.	

DATE	
BY	
SURVEYED	
PLOTTED	
TEMPLATE	
NOTE BOOK	
AREAS CHECKED	
NO.	

MODEL: Definit
 FILE NAME: S:\PROJECTS\2010\095510 - IDOT PFB\ESTIM\29_Galena_US-20\DESIGN\TRANSXS\SHEETS - MAIN\161.dwg



USER NAME = mslick	DESIGNED - AMF	REVISED -
	DRAWN - TJA	REVISED -
PLOT SCALE = 240,000' / ft.	CHECKED - GFS	REVISED -
PLOT DATE = 10/15/2021	DATE - 5/22/20	REVISED -

**STATE OF ILLINOIS
DEPARTMENT OF TRANSPORTATION**

**IL RTE 84 / US 20
CROSS SECTIONS**

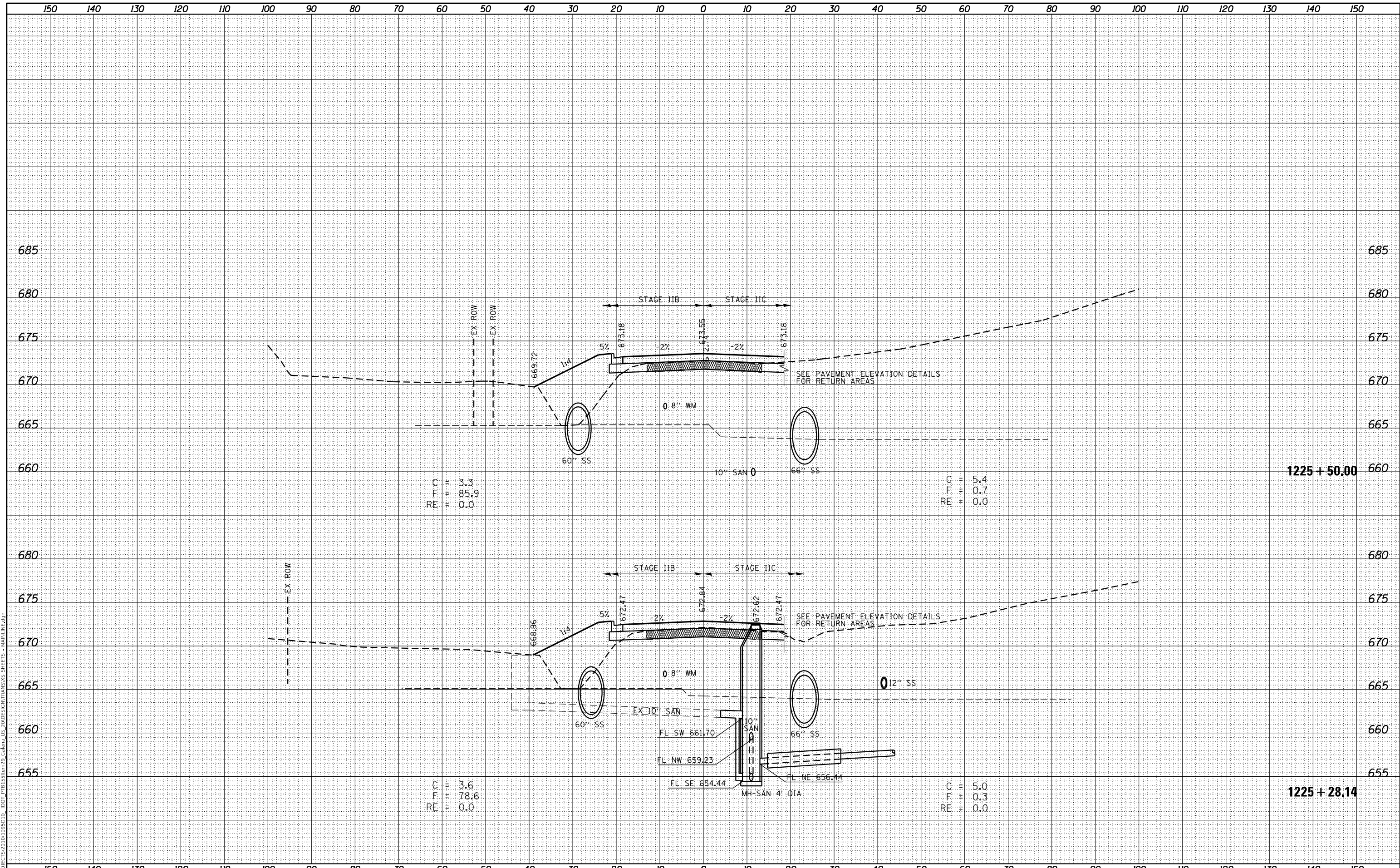
SCALE: N / A SHEET 129 OF 199 SHEETS STA. 1225+12.00 TO STA. 1225+25.00

F.A.P. RTE. 301	SECTION 29R-1	COUNTY JO DAVIESS	TOTAL SHEETS 679	SHEET NO. 551
			CONTRACT NO. 64880	
ILLINOIS FED. AID PROJECT				

DATE	
BY	
FINAL SURVEY	SURVEYED
NOTE BOOK	PLOTTED
NO.	TEMPLATE
	AREAS CHECKED

DATE	
BY	
ORIGINAL SURVEY	SURVEYED
NOTE BOOK	PLOTTED
NO.	TEMPLATE
	AREAS CHECKED

MODEL: Definit
 FILE NAME: S:\PROJECTS\2010\095510 - IDOT PFB\ESTIM\29_Galena_US-20\DESIGN\TRANSXIS SHEETS - MAIN\16.dwg

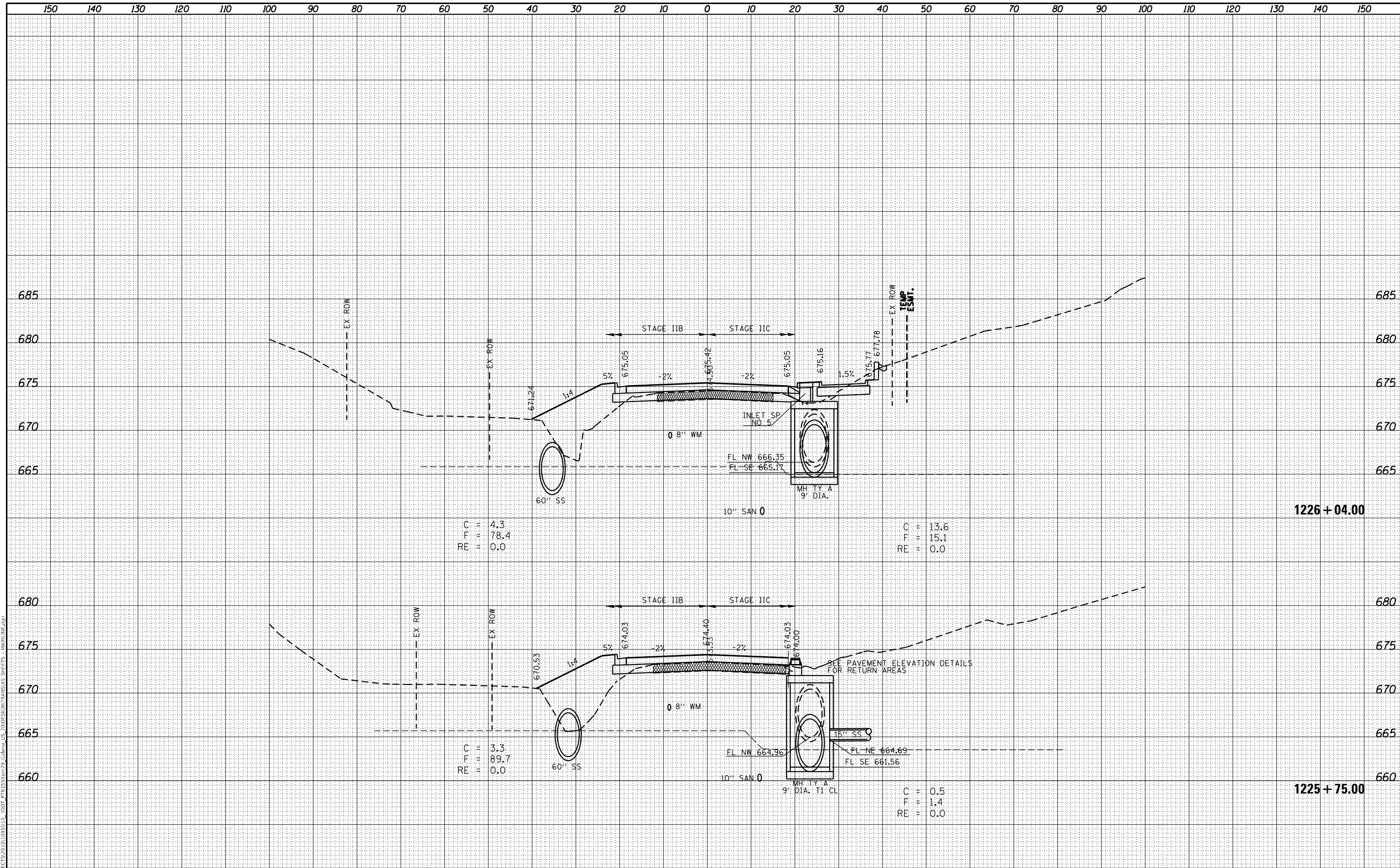


WILLET HOFMANN ASSOCIATES INC. <small>ENGINEERING ARCHITECTURE LAND SURVEYING</small> <small>809 EAST 2ND STREET, DEKalb, IL 61021-0387</small> <small>T: 815-284-1330 F: 815-284-0998</small>	USER NAME = mslick	DESIGNED - AMF	REVISED -	STATE OF ILLINOIS DEPARTMENT OF TRANSPORTATION	IL RTE 84 / US 20 CROSS SECTIONS	F.A.P. RTE. 301	SECTION 29R-1	COUNTY JO DAVIESS	TOTAL SHEETS 679	SHEET NO. 552
	PLOT SCALE = 240,000' / ft.	CHECKED - GFS	REVISIED -			SCALE: N / A	SHEET 130 OF 199 SHEETS	STA. 1225+28.14 TO STA. 1225+50.00	CONTRACT NO. 64880	
	PLOT DATE = 10/15/2021	DATE - 5/22/20	REVISIED -							

DATE	
BY	
SURVEYED	
PLOTTED	
TEMPLATE	
NOTE BOOK	
AREAS CHECKED	
NO.	

DATE	
BY	
SURVEYED	
PLOTTED	
TEMPLATE	
NOTE BOOK	
AREAS CHECKED	
NO.	

MODEL: Definit
 FILE NAME: S:\PROJECTS\2010\095510 - IDOT P1B15\29-Galena US 20\DESIGN\TRANSXS SHEETS - MAIN\1F.dwg



C = 4.3
 F = 78.4
 RE = 0.0

C = 13.6
 F = 15.1
 RE = 0.0

C = 3.3
 F = 89.7
 RE = 0.0

C = 0.5
 F = 1.4
 RE = 0.0



USER NAME = mslick	DESIGNED - AMF	REVISED -
	DRAWN - TJA	REVISED -
PLOT SCALE = 240,000' / ft.	CHECKED - GFS	REVISED -
PLOT DATE = 10/15/2021	DATE - 5/22/20	REVISED -

**STATE OF ILLINOIS
 DEPARTMENT OF TRANSPORTATION**

**IL RTE 84 / US 20
 CROSS SECTIONS**

SCALE: N/A SHEET 131 OF 199 SHEETS STA. 1225+75.00 TO STA. 1226+04.00

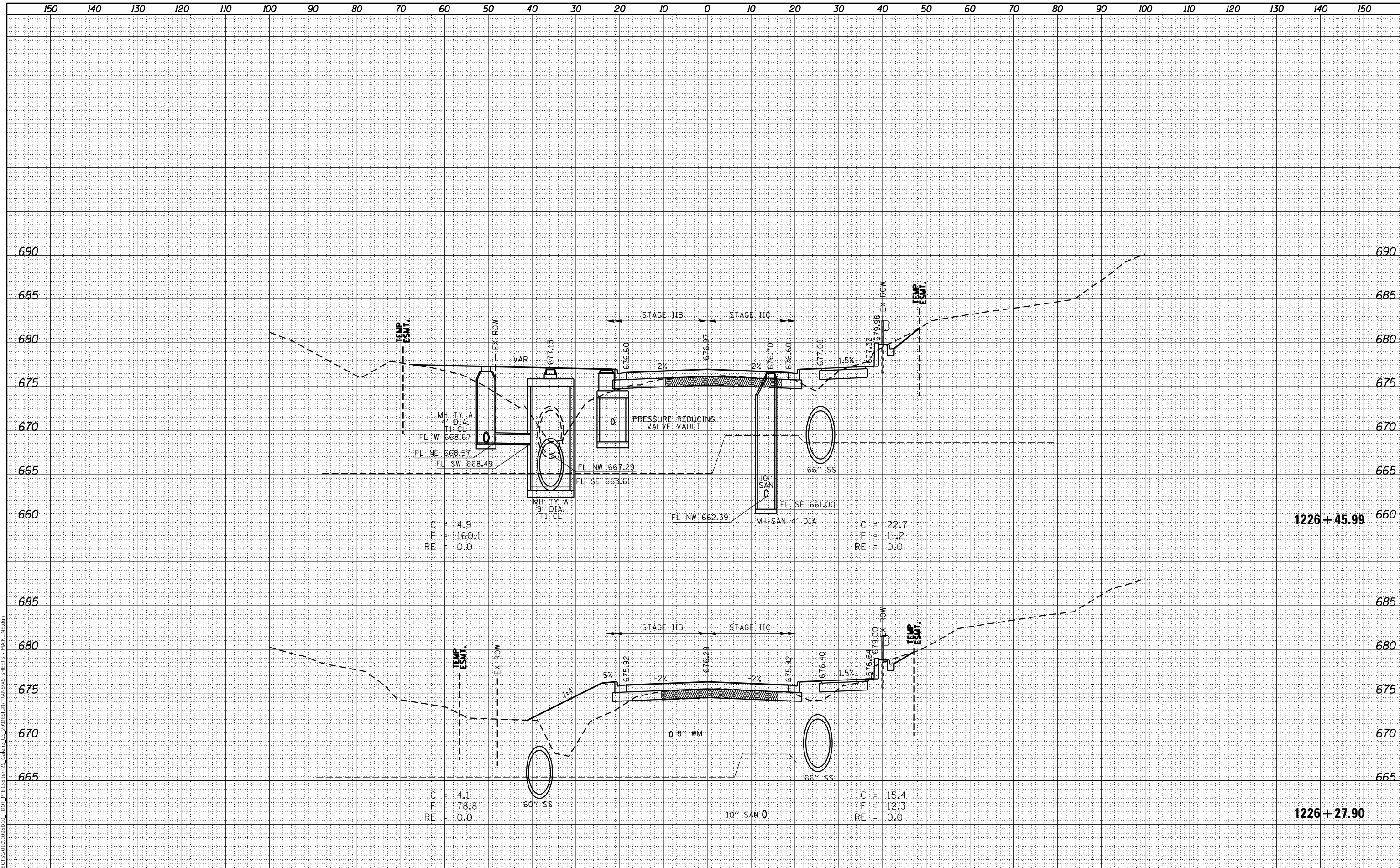
F.A.P. RTE.	SECTION	COUNTY	TOTAL SHEETS	SHEET NO.
301	29R-1	JO DAVIESS	679	553
				CONTRACT NO. 64880

ILLINOIS FED. AID PROJECT

FINAL SURVEY	SURVEYED	DATE
NOTE BOOK NO.	PLOTTED	
	TEMPLATE	
	AREAS CHECKED	

ORIGINAL SURVEY	SURVEYED	DATE
NOTE BOOK NO.	PLOTTED	
	TEMPLATE	
	AREAS CHECKED	

MODEL: Definit
 FILE NAME: S:\PROJECTS\2010\095510 - IDOT PFB\ES\29-Galena US 20\DESIGN\TRANSXIS SHEETS - MAIN\1F.dwg

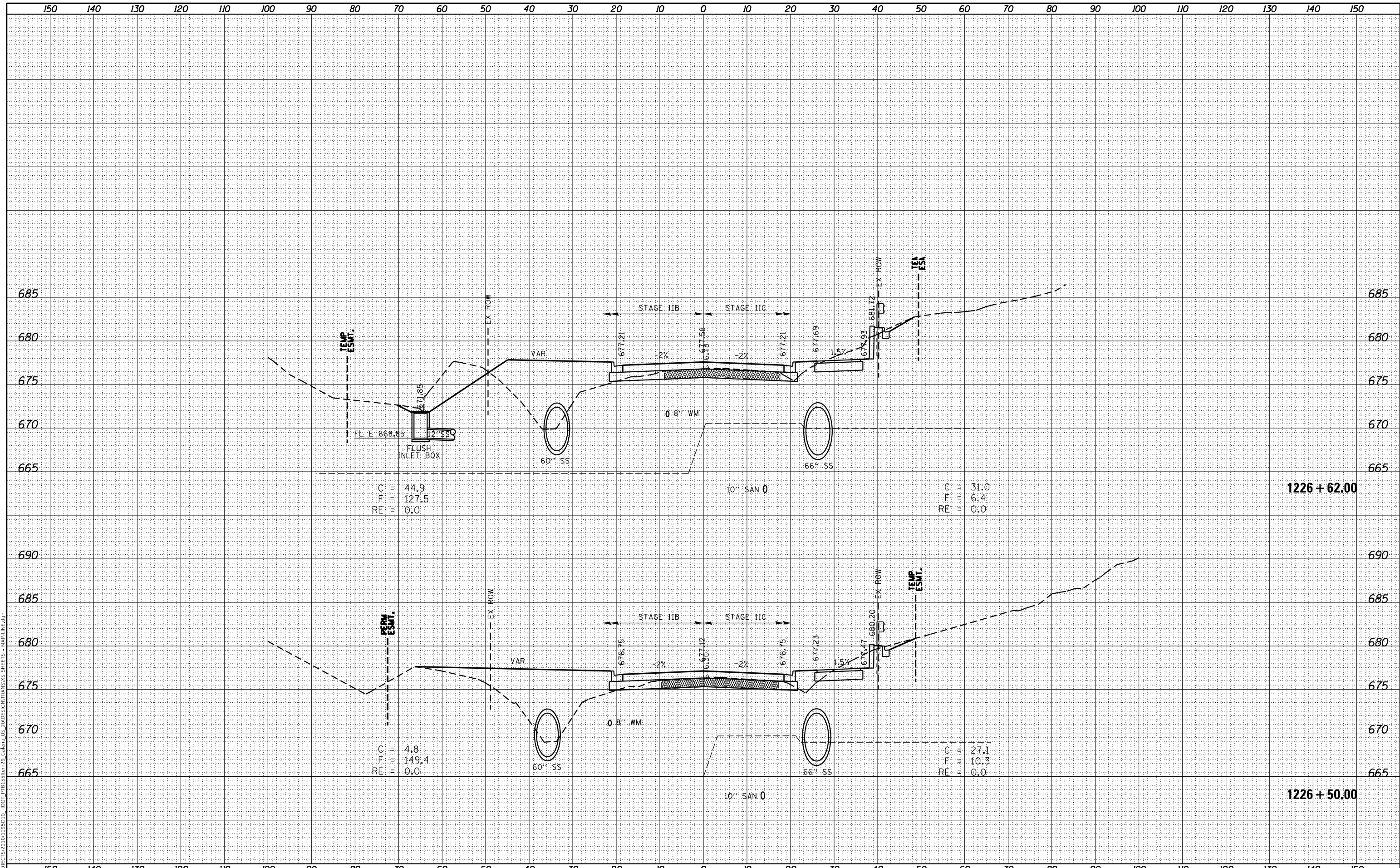


WILLET HOFMANN ASSOCIATES INC. ENGINEERING ARCHITECTURE LAND SURVEYING 809 EAST 2ND STREET, DEWON, IL 61021-0387 T: 815-284-1330 F: 815-284-0998	USER NAME = mslick DESIGNED - AMF DRAWN - TJA CHECKED - GFS DATE - 5/22/20	REVISED - REVISED - REVISED - REVISED -	STATE OF ILLINOIS DEPARTMENT OF TRANSPORTATION	IL RTE 84 / US 20 CROSS SECTIONS	F.A.P. RTE. 301 SECTION 29R-1 COUNTY JO DAVISS TOTAL SHEETS 679 SHEET NO. 554
	PLOT SCALE = 240,0000' / ft. PLOT DATE = 10/15/2021	SCALE: N / A SHEET 132 OF 199 SHEETS STA. 1226+27.90 TO STA. 1226+45.99			CONTRACT NO. 64880 ILLINOIS FED. AID PROJECT

DATE	
BY	
SURVEYED	
PLOTTED	
TEMPLATE	
NOTE BOOK	
AREAS CHECKED	
NO.	

DATE	
BY	
SURVEYED	
PLOTTED	
TEMPLATE	
NOTE BOOK	
AREAS CHECKED	
NO.	

MODEL: Definit
 FILE NAME: S:\PROJECTS\2010\1095510 - IDOT PFB\ESTIM\29 Galena US 20\DESIGN\TRANSXS\ SHEETS - MAIN\1F.dwg



C 44.9
 F 127.5
 RE 0.0

C 31.0
 F 6.4
 RE 0.0

1226 + 62.00

C 4.8
 F 149.4
 RE 0.0

C 27.1
 F 10.3
 RE 0.0

1226 + 50.00



USER NAME = mslick	DESIGNED - AMF	REVISED -
	DRAWN - TJA	REVISED -
PLOT SCALE = 240,0000' / ft.	CHECKED - GFS	REVISED -
PLOT DATE = 10/15/2021	DATE - 5/22/20	REVISED -

STATE OF ILLINOIS
 DEPARTMENT OF TRANSPORTATION

IL RTE 84 / US 20
 CROSS SECTIONS

SCALE: N / A SHEET 133 OF 199 SHEETS STA. 1226+50.00 TO STA. 1226+62.00

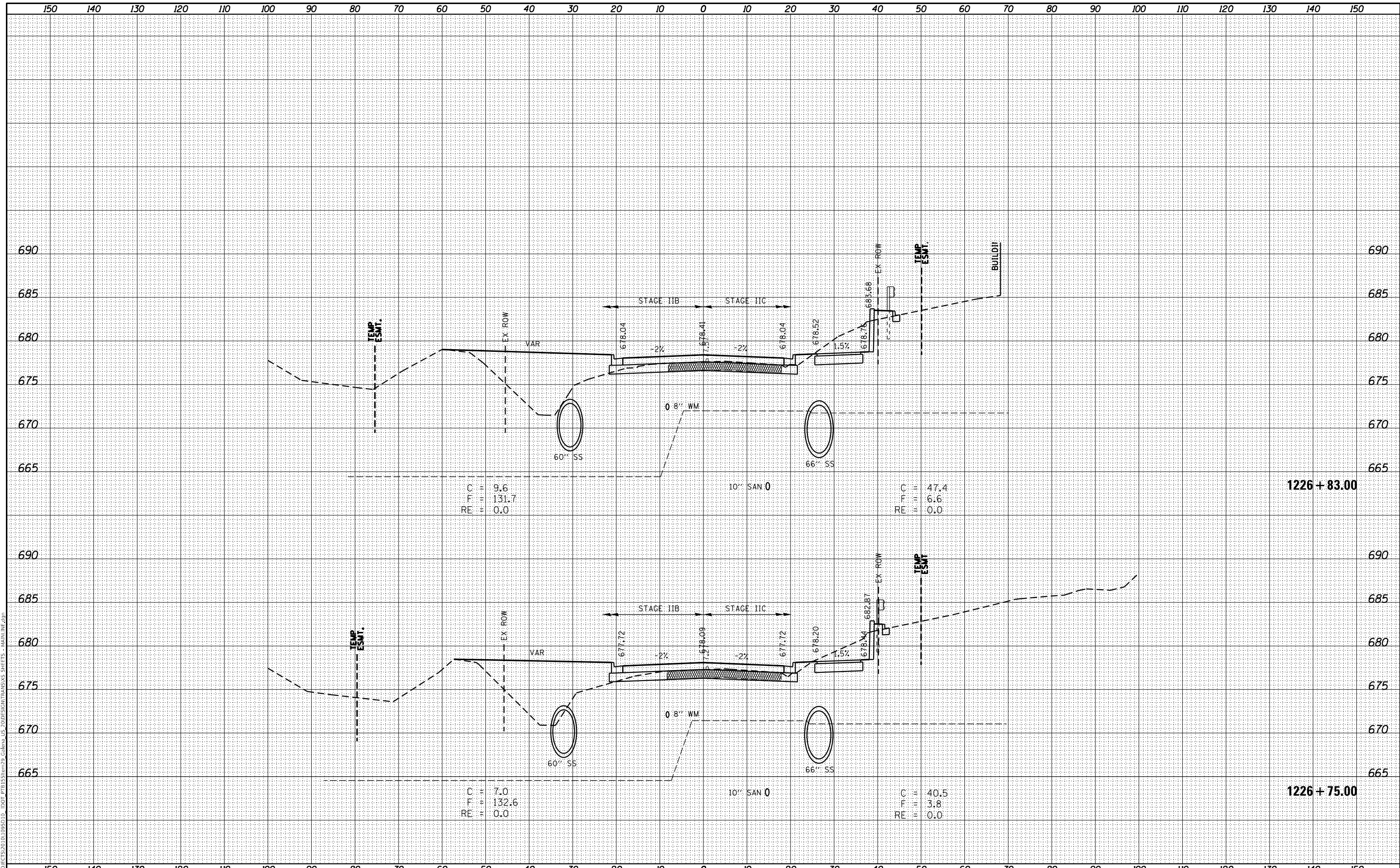
F.A.P. RTE.	SECTION	COUNTY	TOTAL SHEETS	SHEET NO.
301	29R-1	JO DAVIESS	679	555
			CONTRACT NO. 64880	

ILLINOIS FED. AID PROJECT

DATE	
BY	
SURVEYED	
PLOTTED	
TEMPLATE	
NOTE BOOK	
AREAS CHECKED	
NO.	

DATE	
BY	
SURVEYED	
PLOTTED	
TEMPLATE	
NOTE BOOK	
AREAS CHECKED	
NO.	

MODEL: Definit
 FILE NAME: S:\PROJECTS\2010\095510 - IDOT PFB\ESTIM\29_Gallena_US-200\DESIGN\TRANSXIS SHEETS - MAIN\16.dwg



USER NAME = mslick	DESIGNED - AMF	REVISED -
	DRAWN - TJA	REVISED -
PLOT SCALE = 240,0000' / ft.	CHECKED - GFS	REVISED -
PLOT DATE = 10/15/2021	DATE - 5/22/20	REVISED -

**STATE OF ILLINOIS
 DEPARTMENT OF TRANSPORTATION**

**IL RTE 84 / US 20
 CROSS SECTIONS**

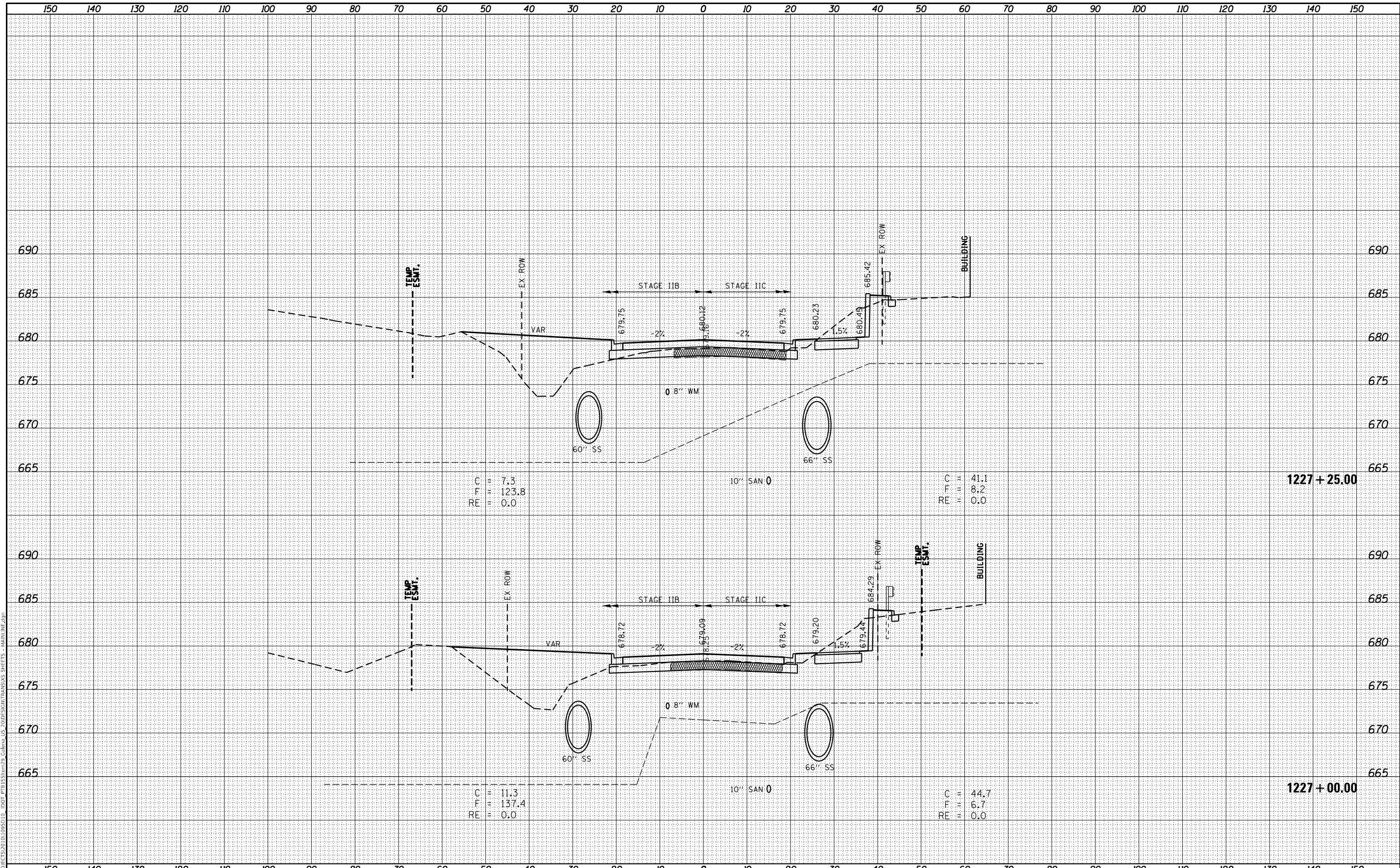
SCALE: N / A SHEET 134 OF 199 SHEETS STA. 1226+75.00 TO STA. 1226+83.00

F.A.P. RTE.	SECTION	COUNTY	TOTAL SHEETS	SHEET NO.
301	29R-1	JO DAVIESS	679	556
			CONTRACT NO. 64880	
ILLINOIS FED. AID PROJECT				

DATE	
BY	
FINAL SURVEY	SURVEYED
NOTE BOOK	PLOTTED
NO.	TEMPLATE
	AREAS
	CHECKED

DATE	
BY	
ORIGINAL SURVEY	SURVEYED
NOTE BOOK	PLOTTED
NO.	TEMPLATE
	AREAS
	CHECKED

MODEL: Definit
 FILE NAME: S:\PROJECTS\2010\095510 - IDOT PFB\ESTIM\29_Galena_US-200\DESIGN\TRANS\XSS SHEETS - MAIN\116.dgn



C = 7.3
 F = 123.8
 RE = 0.0

C = 41.1
 F = 8.2
 RE = 0.0

1227 + 25.00

C = 11.3
 F = 137.4
 RE = 0.0

C = 44.7
 F = 6.7
 RE = 0.0

1227 + 00.00



USER NAME = mslick	DESIGNED - AMF	REVISED -
	DRAWN - TJA	REVISED -
PLOT SCALE = 240,0000' / ft.	CHECKED - GFS	REVISED -
PLOT DATE = 10/15/2021	DATE - 5/22/20	REVISED -

STATE OF ILLINOIS
DEPARTMENT OF TRANSPORTATION

IL RTE 84 / US 20
CROSS SECTIONS

SCALE: N / A SHEET 135 OF 199 SHEETS STA. 1227+00.00 TO STA. 1227+25.00

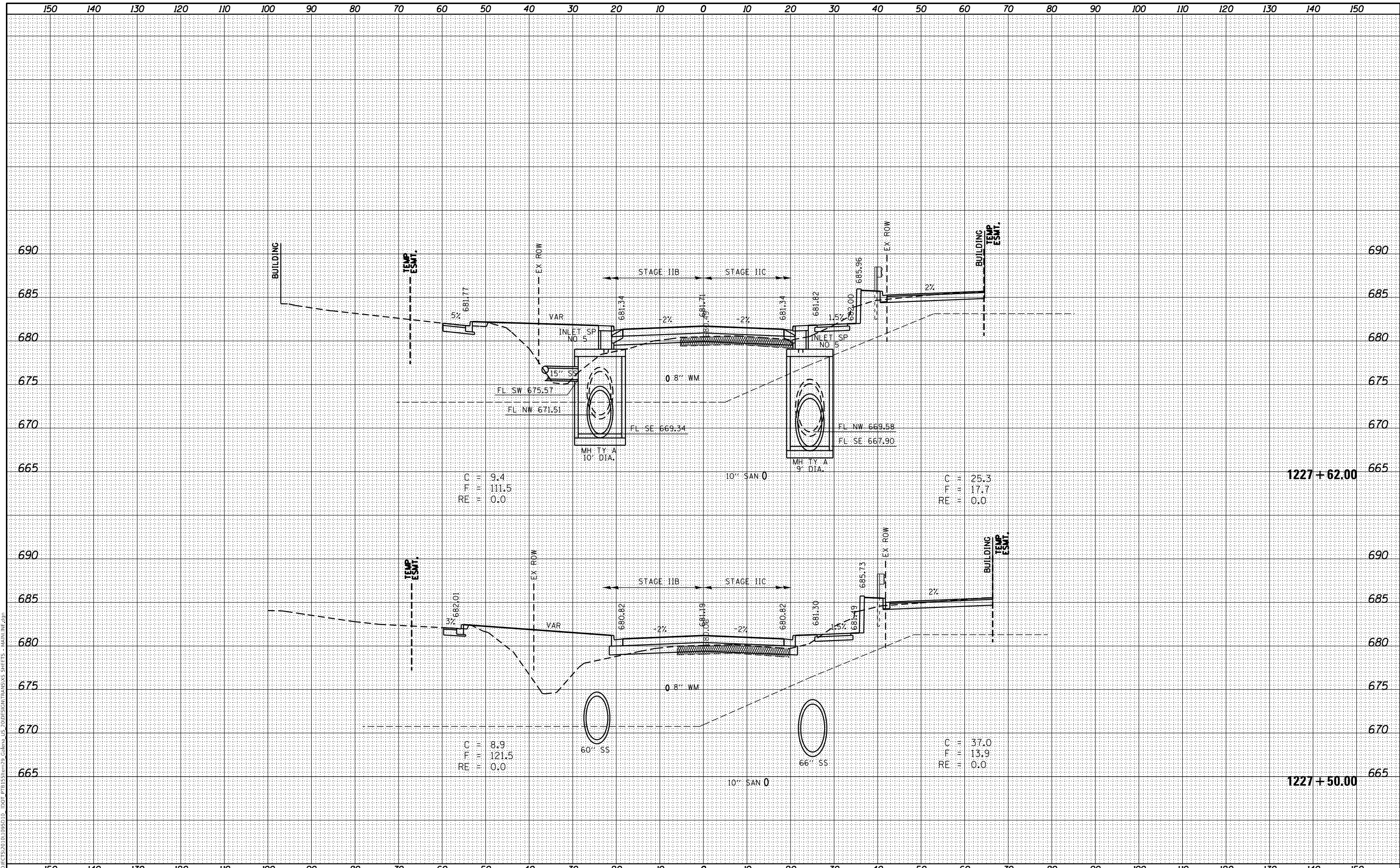
F.A.P. RTE.	SECTION	COUNTY	TOTAL SHEETS	SHEET NO.
301	29R-1	JO DAVIESS	679	557
			CONTRACT NO. 64880	

ILLINOIS FED. AID PROJECT

DATE	
BY	
SURVEYED	
PLOTTED	
TEMPLATE	
NOTE BOOK	
AREAS CHECKED	
NO.	

DATE	
BY	
SURVEYED	
PLOTTED	
TEMPLATE	
NOTE BOOK	
AREAS CHECKED	
NO.	

MODEL: Definit
 FILE NAME: S:\PROJECTS\2010\095510 - IDOT PFB\ESTIM\29 Galena US 20\DESIGN\TRANSXS SHEETS - MAIN\16.dwg



C = 9.4
 F = 111.5
 RE = 0.0

C = 25.3
 F = 17.7
 RE = 0.0

C = 8.9
 F = 121.5
 RE = 0.0

C = 37.0
 F = 13.9
 RE = 0.0



USER NAME = mslick	DESIGNED - AMF	REVISED -
	DRAWN - TJA	REVISED -
PLOT SCALE = 240,0000' / ft.	CHECKED - GFS	REVISED -
PLOT DATE = 10/15/2021	DATE - 5/22/20	REVISED -

STATE OF ILLINOIS
DEPARTMENT OF TRANSPORTATION

IL RTE 84 / US 20
CROSS SECTIONS

SCALE: N / A SHEET 136 OF 199 SHEETS STA. 1227+50.00 TO STA. 1227+62.00

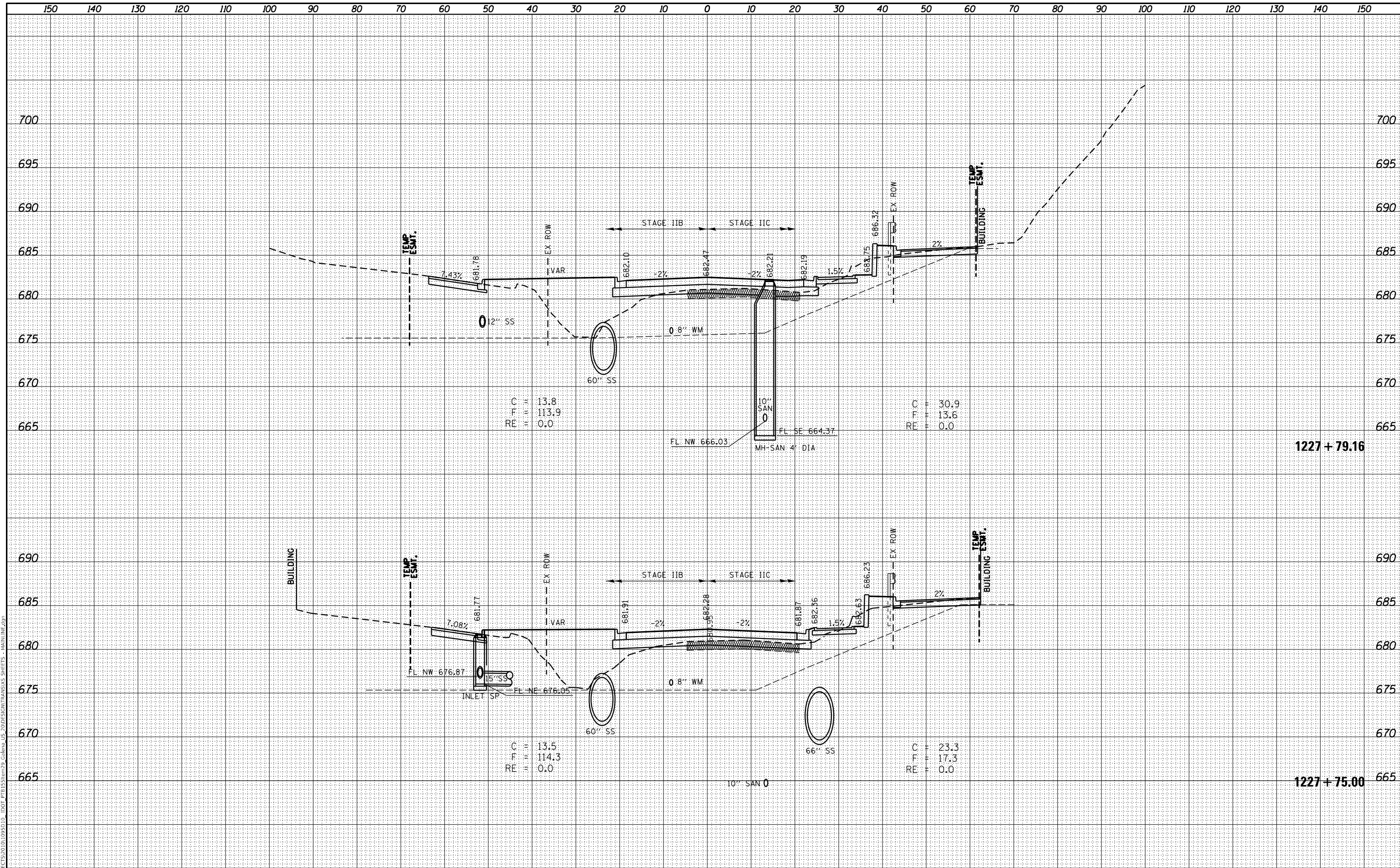
F.A.P. RTE.	SECTION	COUNTY	TOTAL SHEETS	SHEET NO.
301	29R-1	JO DAVIESS	679	558
			CONTRACT NO. 64880	

ILLINOIS FED. AID PROJECT

DATE	
BY	
FINAL SURVEY	SURVEYED
NOTE BOOK	PLOTTED
NO.	TEMPLATE
	AREAS CHECKED
	AREAS CHECKED

DATE	
BY	
ORIGINAL SURVEY	SURVEYED
NOTE BOOK	PLOTTED
NO.	TEMPLATE
	AREAS CHECKED
	AREAS CHECKED

MODEL: Definit
 FILE NAME: S:\PROJECTS\2010\095510 - IDOT PFB\ESTIM\29 Galena US 20\DESIGN\TRANSXIS SHEETS - MAIN\1F.dwg
 NO. 29



USER NAME = mslick	DESIGNED - AMF	REVISED -
	DRAWN - TJA	REVISED -
PLOT SCALE = 240,0000' / ft.	CHECKED - GFS	REVISED -
PLOT DATE = 10/15/2021	DATE - 5/22/20	REVISED -

**STATE OF ILLINOIS
DEPARTMENT OF TRANSPORTATION**

**IL RTE 84 / US 20
CROSS SECTIONS**

SCALE: N / A SHEET 137 OF 199 SHEETS STA. 1227+75.00 TO STA. 1227+79.16

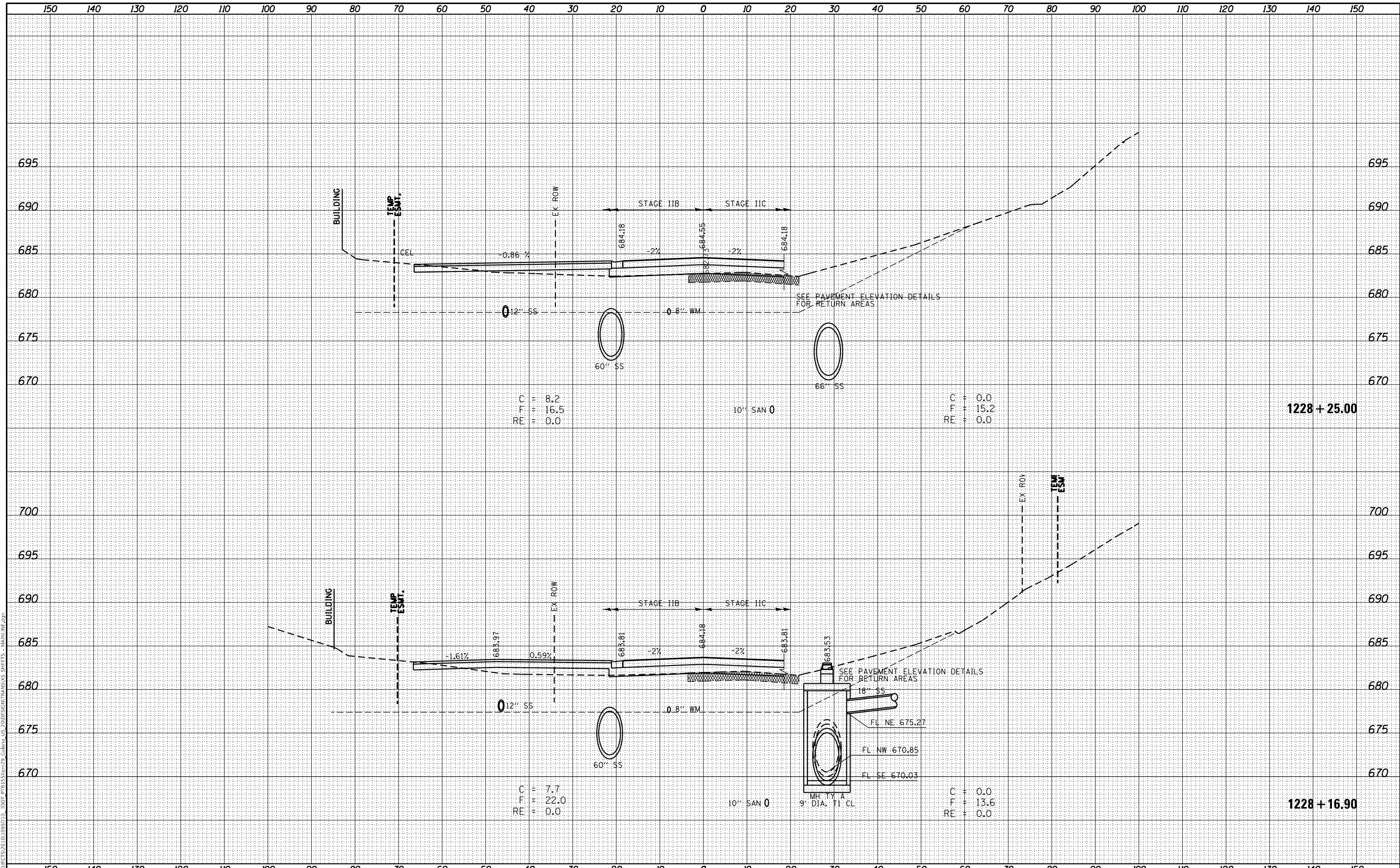
F.A.P. RTE.	SECTION	COUNTY	TOTAL SHEETS	SHEET NO.
301	29R-1	JO DAVIESS	679	559
			CONTRACT NO. 64880	

ILLINOIS FED. AID PROJECT

DATE	
BY	
SURVEYED	
PLOTTED	
TEMPLATE	
NOTE BOOK	
AREAS CHECKED	
NO.	

DATE	
BY	
SURVEYED	
PLOTTED	
TEMPLATE	
NOTE BOOK	
AREAS CHECKED	
NO.	

MODEL: Definit
 FILE NAME: S:\PROJECTS\2010\095510 - IDOT P1B15\12199\29_Galena_US-20\DESIGN\TRANSXVS SHEETS - MAIN\16.dwg



USER NAME	= mslick
DESIGNED	- AMF
DRAWN	- TJA
CHECKED	- GFS
DATE	- 5/22/20

REVISED	-
REVISED	-
REVISED	-
REVISED	-

**STATE OF ILLINOIS
DEPARTMENT OF TRANSPORTATION**

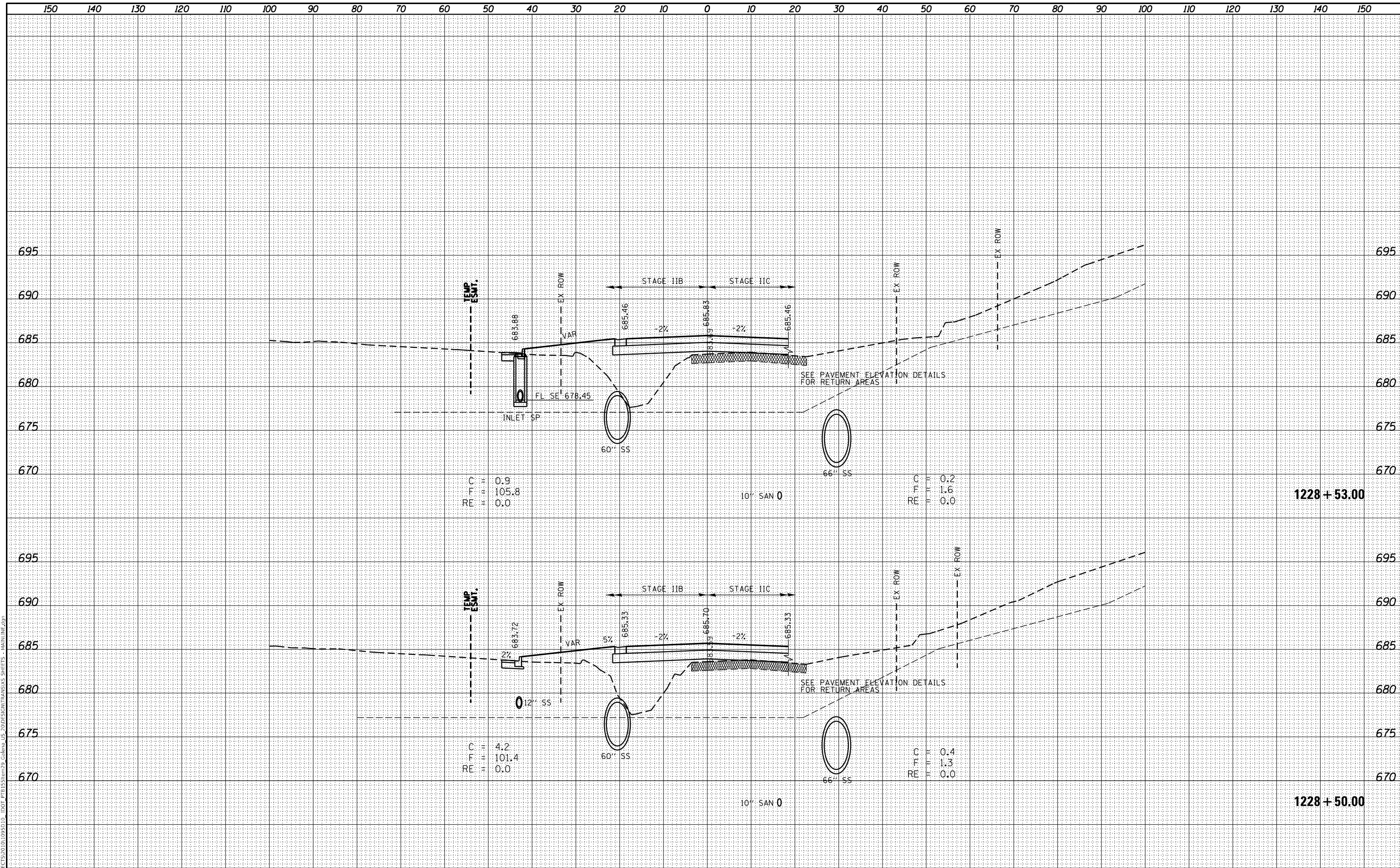
IL RTE 84 / US 20 CROSS SECTIONS	
SCALE: N/A	SHEET 138 OF 199 SHEETS
STA. 1228+16.90	TO STA. 1228+25.00

F.A.P. RTE.	SECTION	COUNTY	TOTAL SHEETS	SHEET NO.
301	29R-1	JO DAVIESS	679	560
CONTRACT NO. 64880				
ILLINOIS FED. AID PROJECT				

FINAL SURVEY	SURVEYED	DATE
NOTE BOOK	PLOTTED	
NO.	TEMPLATE	
	AREAS CHECKED	
	AREAS CHECKED	

ORIGINAL SURVEY	SURVEYED	DATE
NOTE BOOK	PLOTTED	
NO.	TEMPLATE	
	AREAS CHECKED	
	AREAS CHECKED	

MODEL: Definit
 FILE NAME: S:\PROJECTS\2010\095510 - IDOT PFB\ESTIM99_Gallena_US-200PDSIGNTRANSXS SHEETS - MAIN\1F.dwg



USER NAME = mslick	DESIGNED - AMF	REVISIED -
	DRAWN - TJA	REVISIED -
PLOT SCALE = 240,0000' / ft.	CHECKED - GFS	REVISIED -
PLOT DATE = 10/15/2021	DATE - 5/22/20	REVISIED -

**STATE OF ILLINOIS
DEPARTMENT OF TRANSPORTATION**

**IL RTE 84 / US 20
CROSS SECTIONS**

SCALE: N / A SHEET 139 OF 199 SHEETS STA. 1228+50.00 TO STA. 1228+53.00

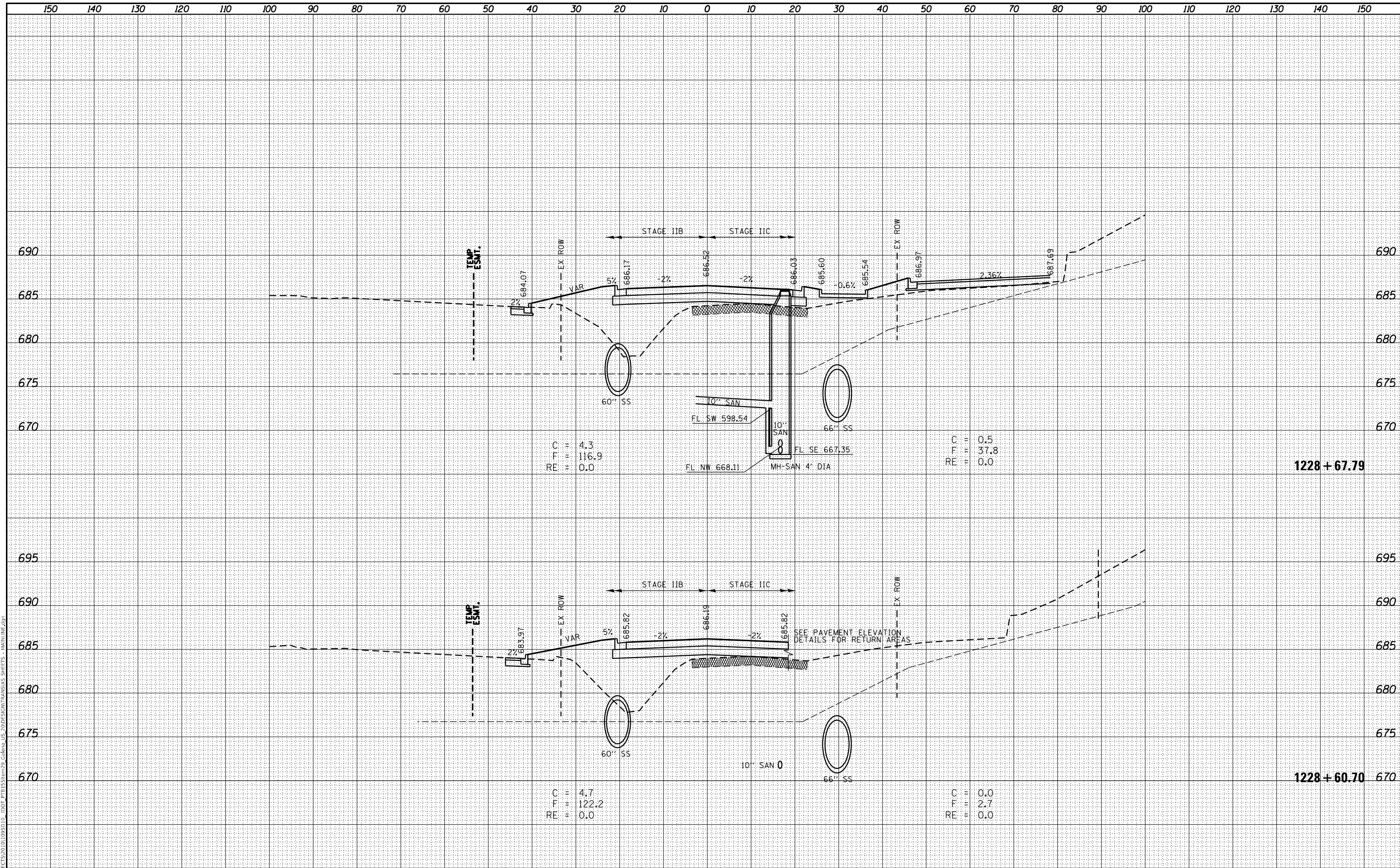
F.A.P. RTE.	SECTION	COUNTY	TOTAL SHEETS	SHEET NO.
301	29R-1	JO DAVIESS	679	561
			CONTRACT NO. 64880	

ILLINOIS FED. AID PROJECT

DATE	
BY	
FINAL SURVEY	SURVEYED
NOTE BOOK	PLOTTED
NO.	TEMPLATE
	AREAS CHECKED
	AREAS CHECKED

DATE	
BY	
ORIGINAL SURVEY	SURVEYED
NOTE BOOK	PLOTTED
NO.	TEMPLATE
	AREAS CHECKED
	AREAS CHECKED

MODEL: Definit
 FILE NAME: S:\PROJECTS\2010\095510 - IDOT PFB\ESTIM\29 Galena US 20\DESIGN\TRANSXS\ SHEETS - MAIN\167.79



C = 4.3
 F = 116.9
 RE = 0.0

C = 0.5
 F = 37.8
 RE = 0.0

1228 + 67.79

C = 4.7
 F = 122.2
 RE = 0.0

C = 0.0
 F = 2.7
 RE = 0.0

1228 + 60.70



USER NAME = mslick	DESIGNED - AMF	REVISED -
	DRAWN - TJA	REVISED -
PLOT SCALE = 240,0000' / ft.	CHECKED - GFS	REVISED -
PLOT DATE = 10/15/2021	DATE - 5/22/20	REVISED -

STATE OF ILLINOIS
DEPARTMENT OF TRANSPORTATION

IL RTE 84 / US 20
CROSS SECTIONS

SCALE: N / A SHEET 140 OF 199 SHEETS STA. 1228+60.70 TO STA. 1228+67.79

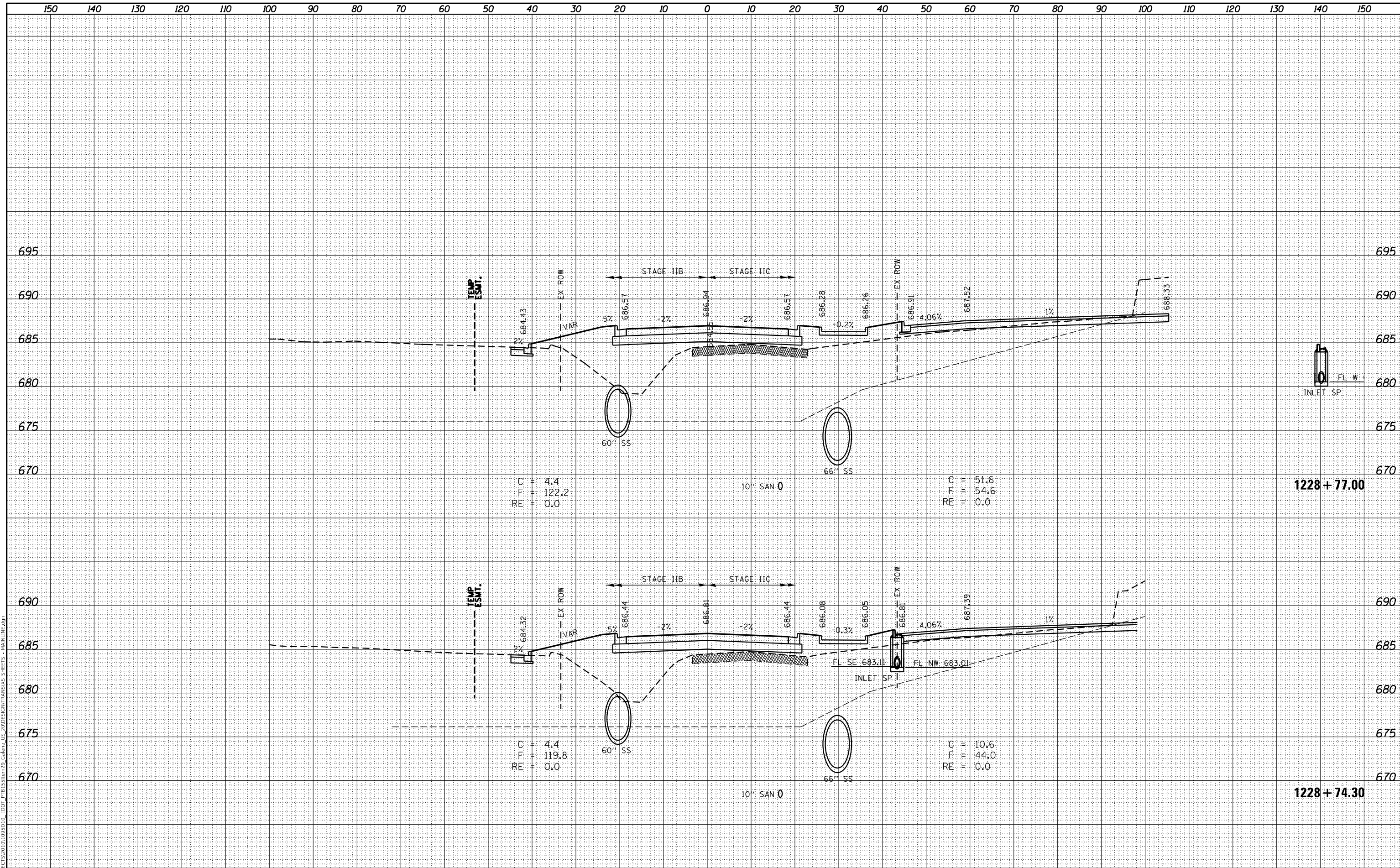
F.A.P. RTE.	SECTION	COUNTY	TOTAL SHEETS	SHEET NO.
301	29R-1	JO DAVIESS	679	562
			CONTRACT NO. 64880	

ILLINOIS FED. AID PROJECT

FINAL SURVEY	SURVEYED	DATE
NOTE BOOK	PLOTTED	
NO.	TEMPLATE	
	AREAS	
	CHECKED	

ORIGINAL SURVEY	SURVEYED	DATE
NOTE BOOK	PLOTTED	
NO.	TEMPLATE	
	AREAS	
	CHECKED	

MODEL: Definit
 FILE NAME: S:\PROJECTS\2010\095510 - IDOT P1B15\29-Galena US 20\DESIGN\TRANSXS SHEETS - MAIN\1F.dwg



C = 4.4
 F = 122.2
 RE = 0.0

C = 51.6
 F = 54.6
 RE = 0.0

C = 4.4
 F = 119.8
 RE = 0.0

C = 10.6
 F = 44.0
 RE = 0.0



USER NAME = mslick	DESIGNED - AMF	REVISED -
	DRAWN - TJA	REVISED -
PLOT SCALE = 240,0000' / ft.	CHECKED - GFS	REVISED -
PLOT DATE = 10/15/2021	DATE - 5/22/20	REVISED -

STATE OF ILLINOIS
 DEPARTMENT OF TRANSPORTATION

IL RTE 84 / US 20
 CROSS SECTIONS

SCALE: N/A SHEET 141 OF 199 SHEETS STA. 1228+74.30 TO STA. 1228+77.00

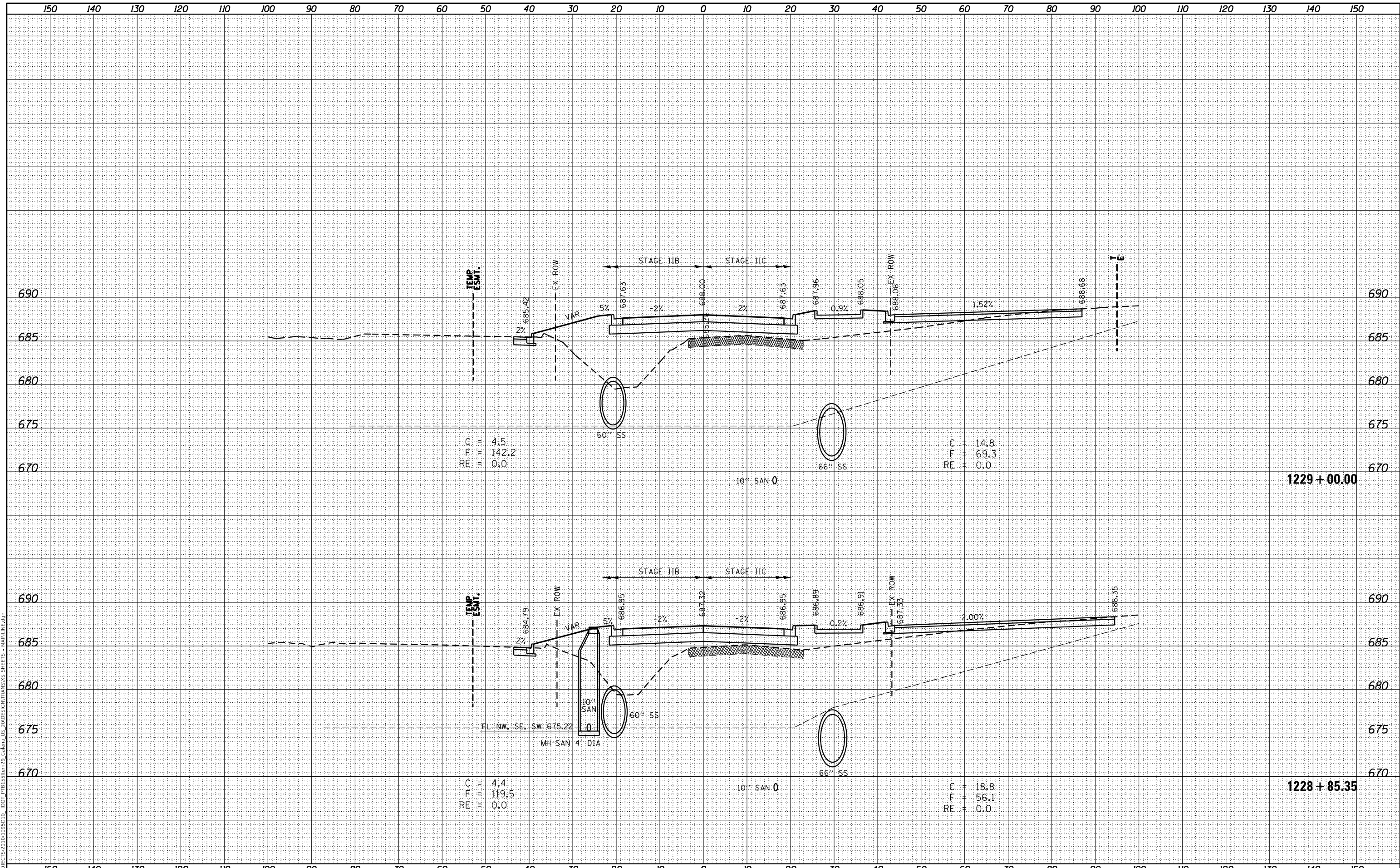
F.A.P. RTE.	SECTION	COUNTY	TOTAL SHEETS	SHEET NO.
301	29R-1	JO DAVIESS	679	563
			CONTRACT NO. 64880	

ILLINOIS FED. AID PROJECT

DATE	
BY	
SURVEYED	
PLOTTED	
TEMPLATE	
NOTE BOOK	
AREAS CHECKED	
NO.	

DATE	
BY	
SURVEYED	
PLOTTED	
TEMPLATE	
NOTE BOOK	
AREAS CHECKED	
NO.	

MODEL: Definit
 FILE NAME: S:\PROJECTS\2010\095510 - IDOT P1B15\1229 Galena US 20\DESIGN\TRANSXS SHEETS - MAIN\1F.dwg



USER NAME = mslick	DESIGNED - AMF	REVISED -
	DRAWN - TJA	REVISED -
PLOT SCALE = 240,0000' / ft.	CHECKED - GFS	REVISED -
PLOT DATE = 10/15/2021	DATE - 5/22/20	REVISED -

**STATE OF ILLINOIS
DEPARTMENT OF TRANSPORTATION**

**IL RTE 84 / US 20
CROSS SECTIONS**

SCALE: N / A SHEET 142 OF 199 SHEETS STA. 1228+85.35 TO STA. 1229+00.00

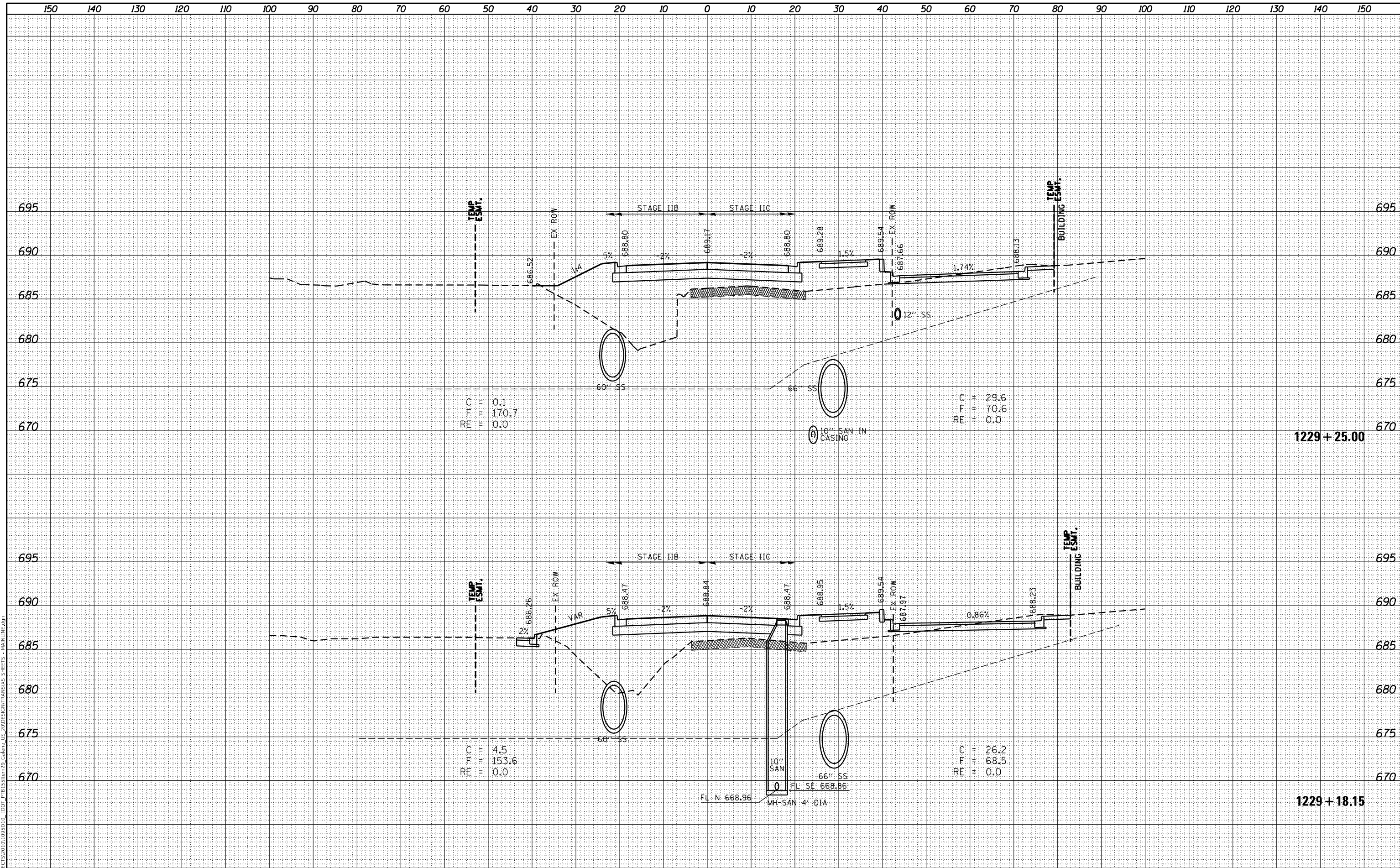
F.A.P. RTE.	SECTION	COUNTY	TOTAL SHEETS	SHEET NO.
301	29R-1	JO DAVIESS	679	564
			CONTRACT NO. 64880	

ILLINOIS FED. AID PROJECT

DATE	
BY	
SURVEYED	
PLOTTED	
TEMPLATE	
NOTE BOOK	
AREAS CHECKED	
NO.	

DATE	
BY	
SURVEYED	
PLOTTED	
TEMPLATE	
NOTE BOOK	
AREAS CHECKED	
NO.	

MODEL: Definit
 FILE NAME: S:\PROJECTS\2010\1095510 - IDOT PFB\15121929_Galena US 200\DESIGN\TRANS\XSS SHEETS - MAIN\1F.dwg



C = 0.1
 F = 170.7
 RE = 0.0

C = 29.6
 F = 70.6
 RE = 0.0

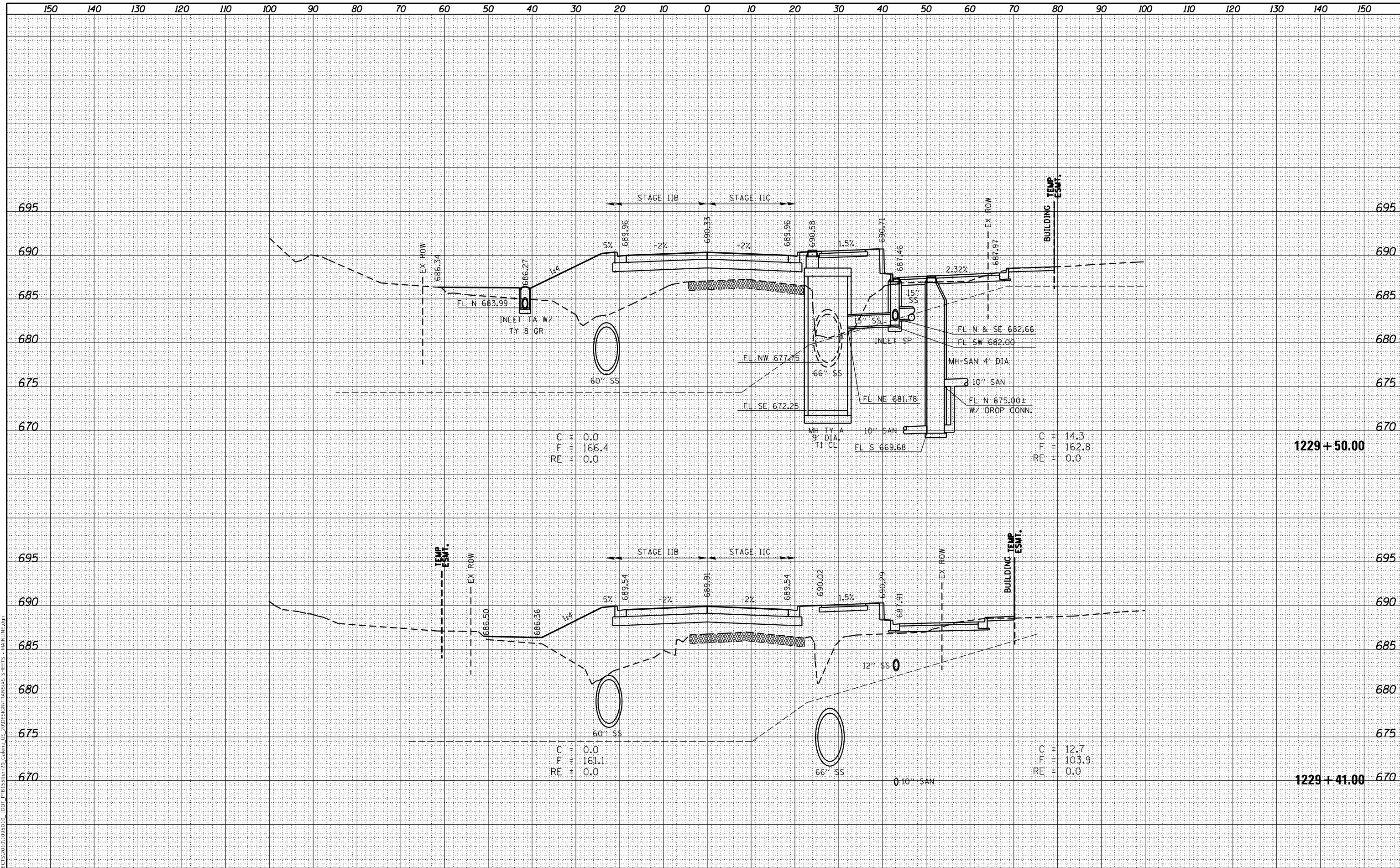
C = 4.5
 F = 153.6
 RE = 0.0

C = 26.2
 F = 68.5
 RE = 0.0

DATE	
BY	
FINAL SURVEY	SURVEYED
NOTE BOOK	PLOTTED
NO.	TEMPLATE
	AREAS
	CHECKED

DATE	
BY	
ORIGINAL SURVEY	SURVEYED
NOTE BOOK	PLOTTED
NO.	TEMPLATE
	AREAS
	CHECKED

MODEL: Definit
 FILE NAME: S:\PROJECTS\2010\095510 - IDOT PFB\ESTIM99_Gallena_US-200\DESIGN\TRANSXIS SHEETS - MAIN\1F.dwg



C = 0.0
 F = 166.4
 RE = 0.0

C = 14.3
 F = 162.8
 RE = 0.0

1229 + 50.00

C = 0.0
 F = 161.1
 RE = 0.0

C = 12.7
 F = 103.9
 RE = 0.0

1229 + 41.00



USER NAME	= mslick
DESIGNED	- AMF
DRAWN	- TJA
CHECKED	- GFS
DATE	- 5/22/20
PLOT SCALE	= 240,0000' / ft.
PLOT DATE	= 10/15/2021

REVISED	-
REVISED	-
REVISED	-
REVISED	-

STATE OF ILLINOIS
DEPARTMENT OF TRANSPORTATION

IL RTE 84 / US 20
CROSS SECTIONS

SCALE: N / A SHEET 144 OF 199 SHEETS STA. 1229+41.00 TO STA. 1229+50.00

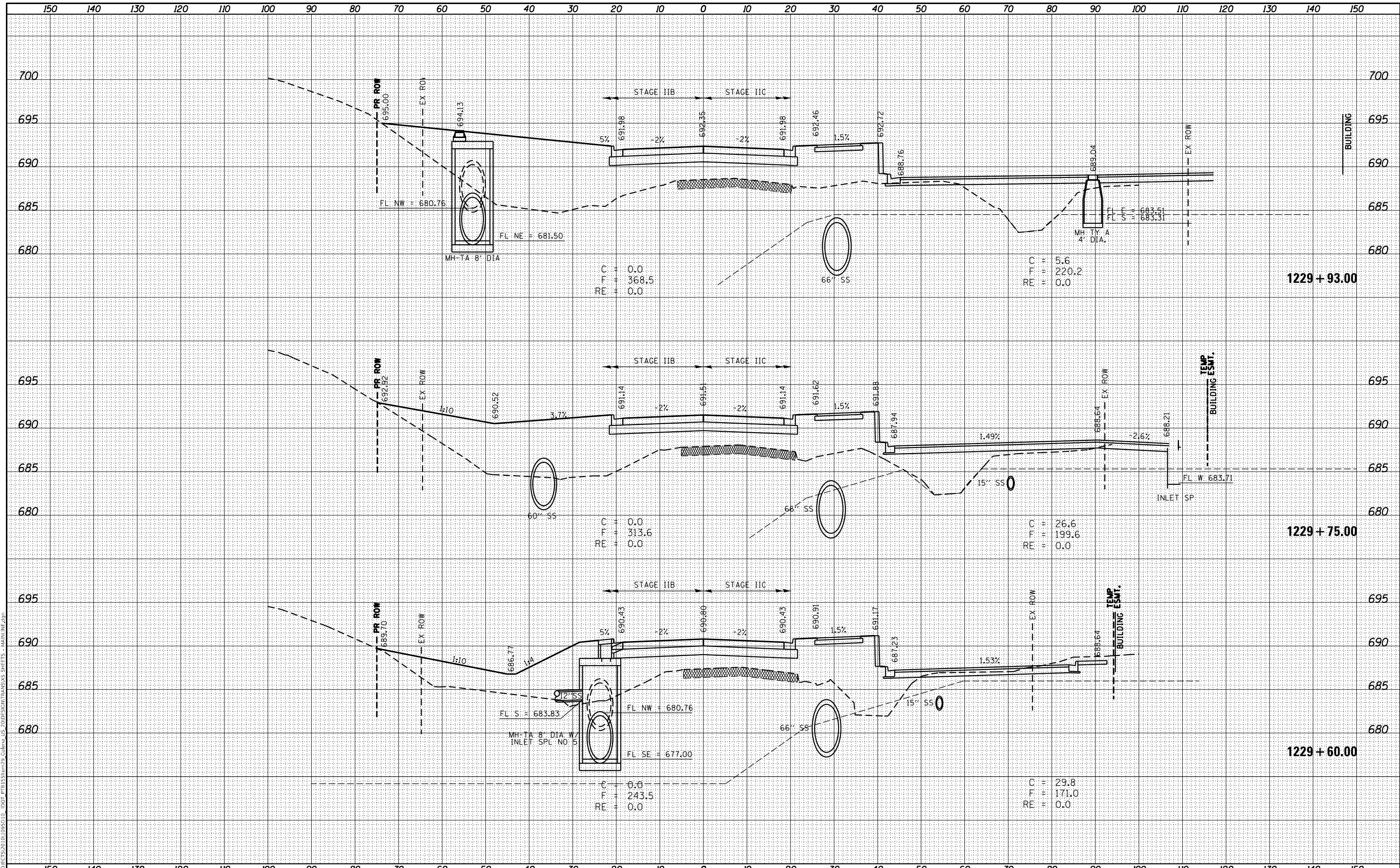
F.A.P. RTE.	SECTION	COUNTY	TOTAL SHEETS	SHEET NO.
301	29R-1	JO DAVIESS	679	566
			CONTRACT NO. 64880	

ILLINOIS FED. AID PROJECT

DATE	
BY	
FINAL SURVEY	SURVEYED
NOTE BOOK	PLOTTED
NO.	TEMPLATE
	AREAS CHECKED
	AREAS CHECKED

DATE	
BY	
ORIGINAL SURVEY	SURVEYED
NOTE BOOK	PLOTTED
NO.	TEMPLATE
	AREAS CHECKED
	AREAS CHECKED

MODEL: Definitive
 FILE NAME: S:\PROJECTS\2010\095510 - IDOT PFB\ESTIM29 Galena US 20\DESIGN\TRANSXIS SHEETS - MAIN\16.dwg



WILLET HOFMANN ASSOCIATES INC.
 ENGINEERING ARCHITECTURE LAND SURVEYING
 809 EAST 2ND STREET, DEWITT, IL 61021-0387
 T: 815-284-1330 F: 815-284-0998

USER NAME	= mslick
DESIGNED	- AMF
DRAWN	- TJA
CHECKED	- GFS
DATE	- 5/22/20
PLOT SCALE	= 240,0000' / ft.
PLOT DATE	= 10/15/2021

REVISED	-
REVISED	-
REVISED	-
REVISED	-

STATE OF ILLINOIS
DEPARTMENT OF TRANSPORTATION

IL RTE 84 / US 20
CROSS SECTIONS

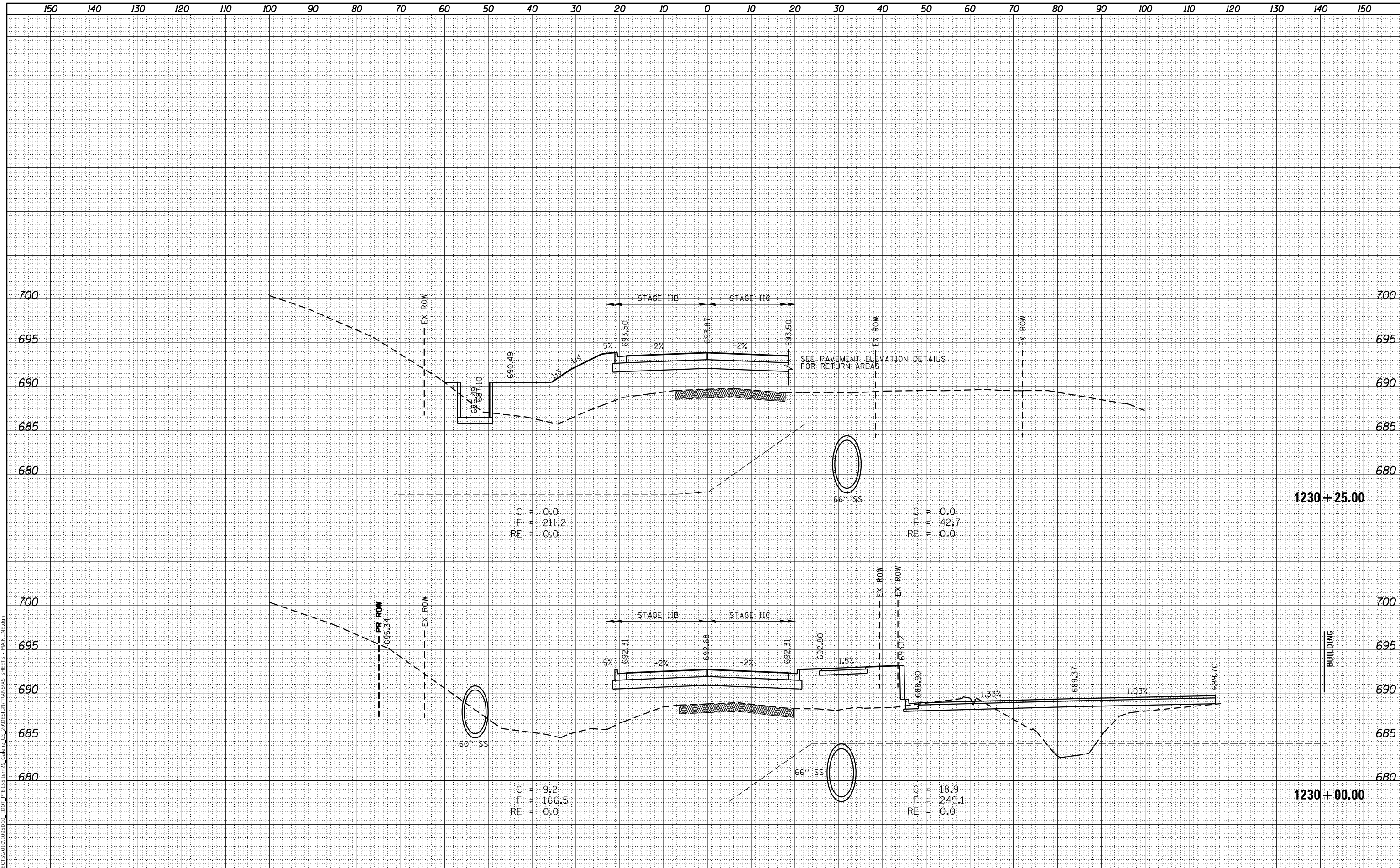
SCALE: N / A SHEET 145 OF 199 SHEETS STA. 1229+60.00 TO STA. 1229+93.00

F.A.P. RTE.	SECTION	COUNTY	TOTAL SHEETS	SHEET NO.
301	29R-1	JO DAVISS	679	567
			CONTRACT NO. 64880	
ILLINOIS FED. AID PROJECT				

FINAL SURVEY NO.	SURVEYED	DATE
NOTE BOOK	PLOTTED	
AREAS CHECKED	TEMPLATE	
	AREAS CHECKED	

ORIGINAL SURVEY NO.	SURVEYED	DATE
NOTE BOOK	PLOTTED	
AREAS CHECKED	TEMPLATE	
	AREAS CHECKED	

MODEL: Definit
 FILE NAME: S:\PROJECTS\2010\095510 - IDOT PFB E-Station 29 - Galena US 20\DESIGN\TRANSXIS SHEETS - MAIN\1F.dwg



USER NAME = mslick	DESIGNED - AMF	REVISED -
	DRAWN - TJA	REVISED -
PLOT SCALE = 240,0000' / ft.	CHECKED - GFS	REVISED -
PLOT DATE = 10/15/2021	DATE - 5/22/20	REVISED -

STATE OF ILLINOIS
 DEPARTMENT OF TRANSPORTATION

IL RTE 84 / US 20
 CROSS SECTIONS

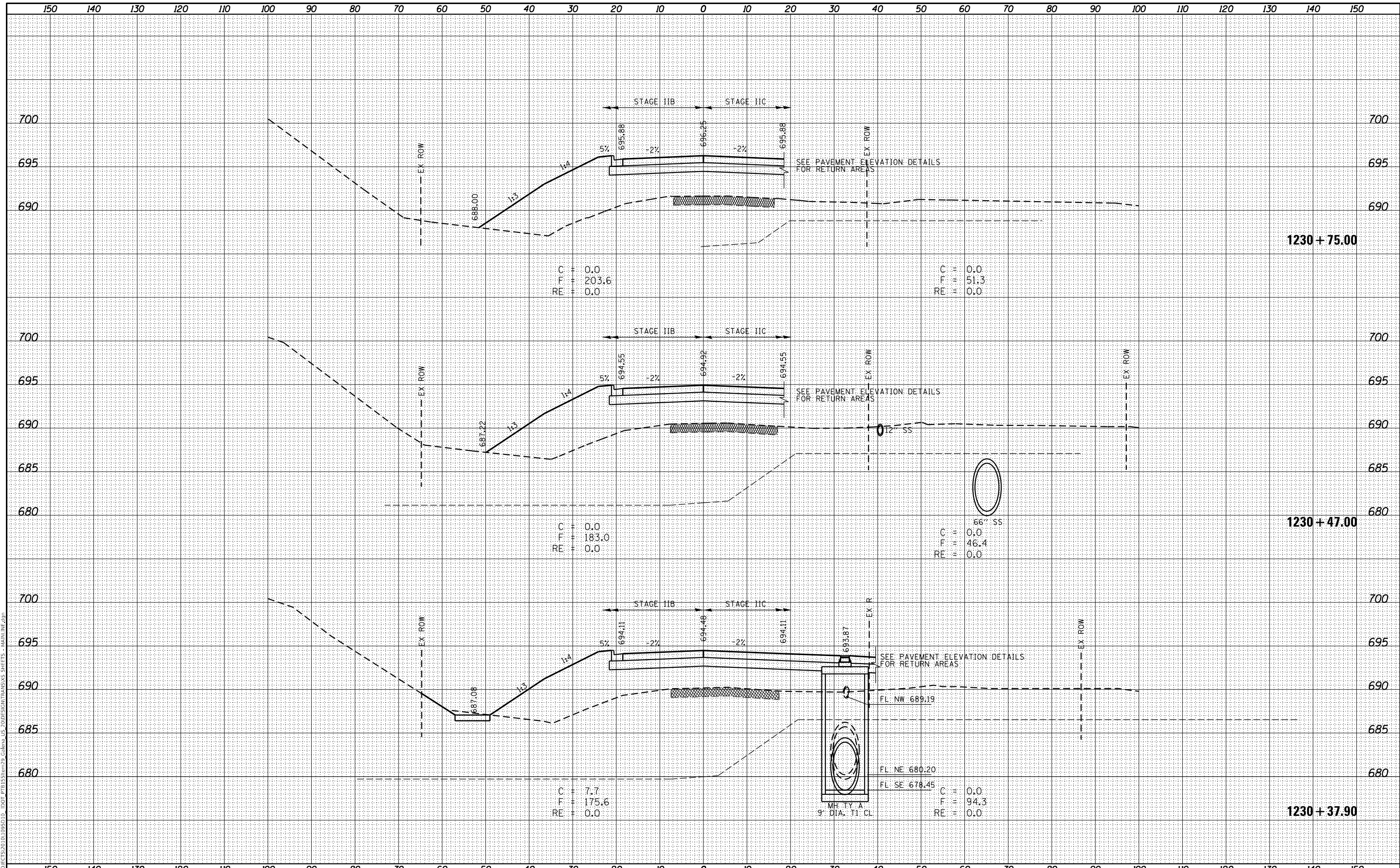
SCALE: N / A SHEET 146 OF 199 SHEETS STA. 1230+00.00 TO STA. 1230+25.00

F.A.P. RTE. 301	SECTION 29R-1	COUNTY JO DAVISS	TOTAL SHEETS 679	SHEET NO. 568
			CONTRACT NO. 64880	
ILLINOIS FED. AID PROJECT				

DATE	
BY	
SURVEYED	
PLOTTED	
TEMPLATE	
NOTE BOOK	
AREAS CHECKED	
NO.	

DATE	
BY	
SURVEYED	
PLOTTED	
TEMPLATE	
NOTE BOOK	
AREAS CHECKED	
NO.	

MODEL: Definitive
 FILE NAME: S:\PROJECTS\2010\095510 - IDOT P1B15\Station 29 Gallena US 20\DESIGN\TRANSXIS SHEETS - MAIN\16.dwg



WILLET HOFMANN ASSOCIATES INC.
 ENGINEERING ARCHITECTURE LAND SURVEYING
 809 EAST 2ND STREET, DEKalb, IL 61021-0387
 T: 815-284-1330 F: 815-284-0998

USER NAME = mslick	DESIGNED - AMF	REVISED -
	DRAWN - TJA	REVISED -
PLOT SCALE = 240,000' / ft.	CHECKED - GFS	REVISED -
PLOT DATE = 10/15/2021	DATE - 5/22/20	REVISED -

STATE OF ILLINOIS
DEPARTMENT OF TRANSPORTATION

IL RTE 84 / US 20
CROSS SECTIONS

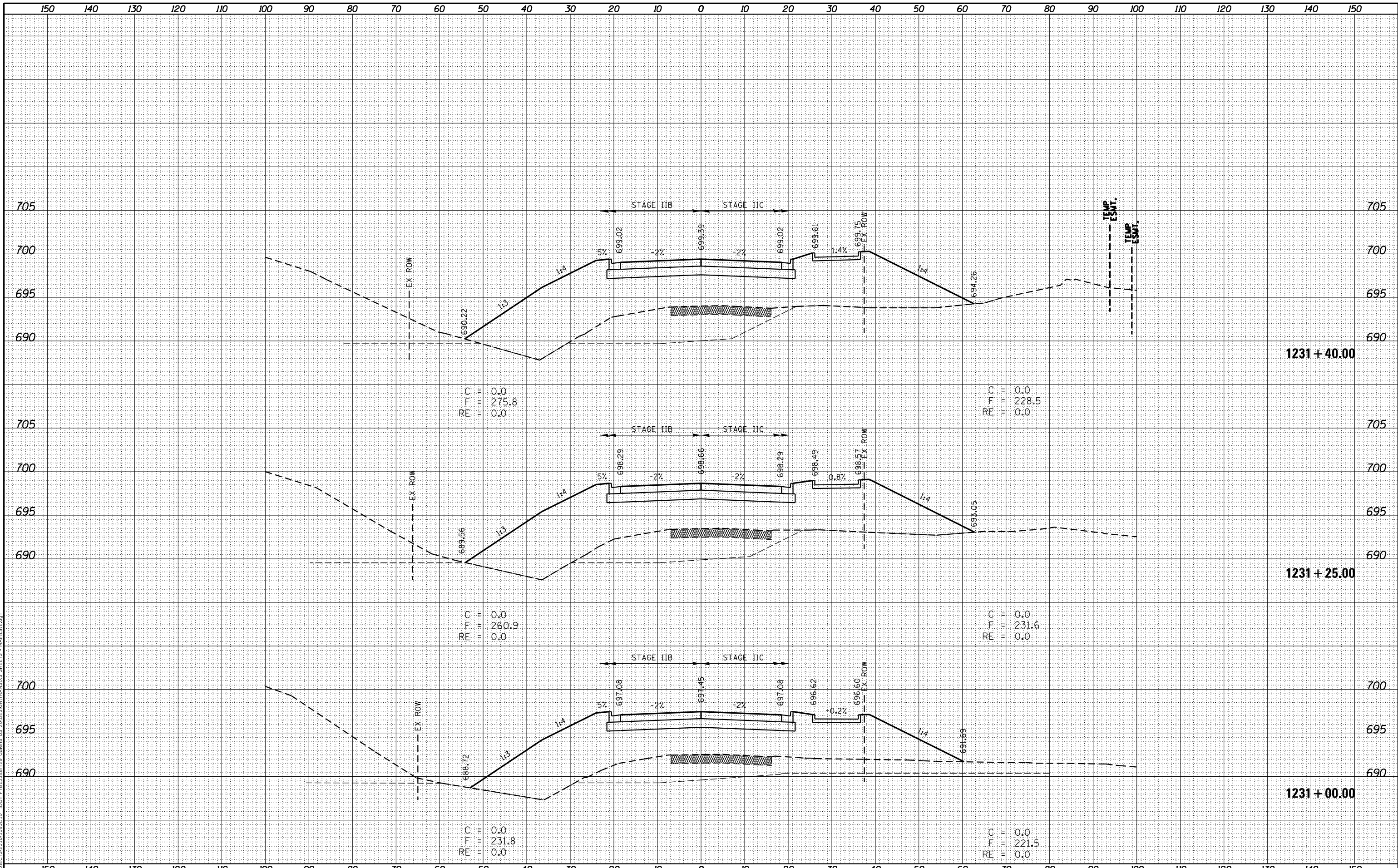
SCALE: N / A SHEET 147 OF 199 SHEETS STA. 1230+37.90 TO STA. 1230+75.00

F.A.P. RTE.	SECTION	COUNTY	TOTAL SHEETS	SHEET NO.
301	29R-1	JO DAVISSL	679	569
			CONTRACT NO. 64880	
ILLINOIS FED. AID PROJECT				

BY	DATE
SURVEYED	
PLOTTED	
TEMPLATE	
AREAS CHECKED	
FINAL SURVEY NO.	
NOTE BOOK NO.	
AREAS CHECKED	

BY	DATE
SURVEYED	
PLOTTED	
TEMPLATE	
AREAS CHECKED	
ORIGINAL SURVEY NO.	
NOTE BOOK NO.	
AREAS CHECKED	

MODEL: Definit
 FILE NAME: S:\PROJECTS\2010\1095510 - IDOT PFB\ESTIM\29_Galena_US-20\FSIGN\TRANSXS SHEETS - MAIN\1F.dwg



C = 0.0
 F = 275.8
 RE = 0.0

C = 0.0
 F = 228.5
 RE = 0.0

C = 0.0
 F = 260.9
 RE = 0.0

C = 0.0
 F = 231.6
 RE = 0.0

C = 0.0
 F = 231.8
 RE = 0.0

C = 0.0
 F = 221.5
 RE = 0.0



USER NAME = mslick	DESIGNED - AMF	REVISED -
	DRAWN - TJA	REVISED -
PLOT SCALE = 240,0000' / ft.	CHECKED - GFS	REVISED -
PLOT DATE = 10/15/2021	DATE - 5/22/20	REVISED -

STATE OF ILLINOIS
 DEPARTMENT OF TRANSPORTATION

IL RTE 84 / US 20
 CROSS SECTIONS

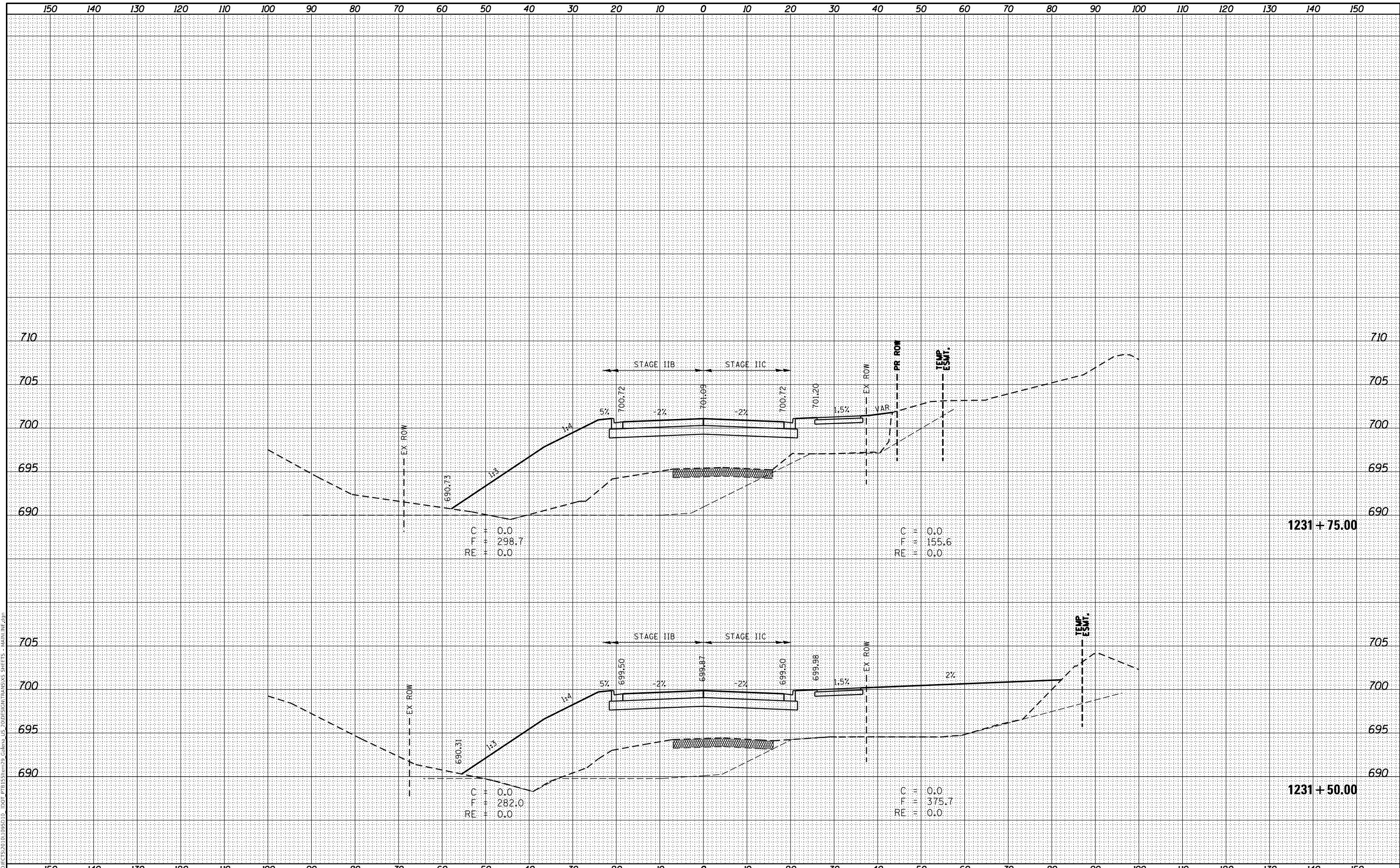
SCALE: N / A SHEET 148 OF 199 SHEETS STA. 1231+00.00 TO STA. 1231+40.00

F.A.P. RTE. 301	SECTION 29R-1	COUNTY JO DAVIESS	TOTAL SHEETS 679	SHEET NO. 570
CONTRACT NO. 64880			ILLINOIS FED. AID PROJECT	

FINAL SURVEY	SURVEYED	DATE
NOTE BOOK	PLOTTED	
NO.	TEMPLATE	
	AREAS CHECKED	

ORIGINAL SURVEY	SURVEYED	DATE
NOTE BOOK	PLOTTED	
NO.	TEMPLATE	
	AREAS CHECKED	

MODEL: Definit
 FILE NAME: S:\PROJECTS\2010\095510 - IDOT PFB\ESTIM\29 Galena US 20\DESIGN\TRANSXS SHEETS - MAIN\1F.dwg



USER NAME = mslick	DESIGNED - AMF	REVISED -
	DRAWN - TJA	REVISED -
PLOT SCALE = 240,0000' / ft.	CHECKED - GFS	REVISED -
PLOT DATE = 10/15/2021	DATE - 5/22/20	REVISED -

**STATE OF ILLINOIS
 DEPARTMENT OF TRANSPORTATION**

**IL RTE 84 / US 20
 CROSS SECTIONS**

SCALE: N / A SHEET 149 OF 199 SHEETS STA. 1231+50.00 TO STA. 1231+75.00

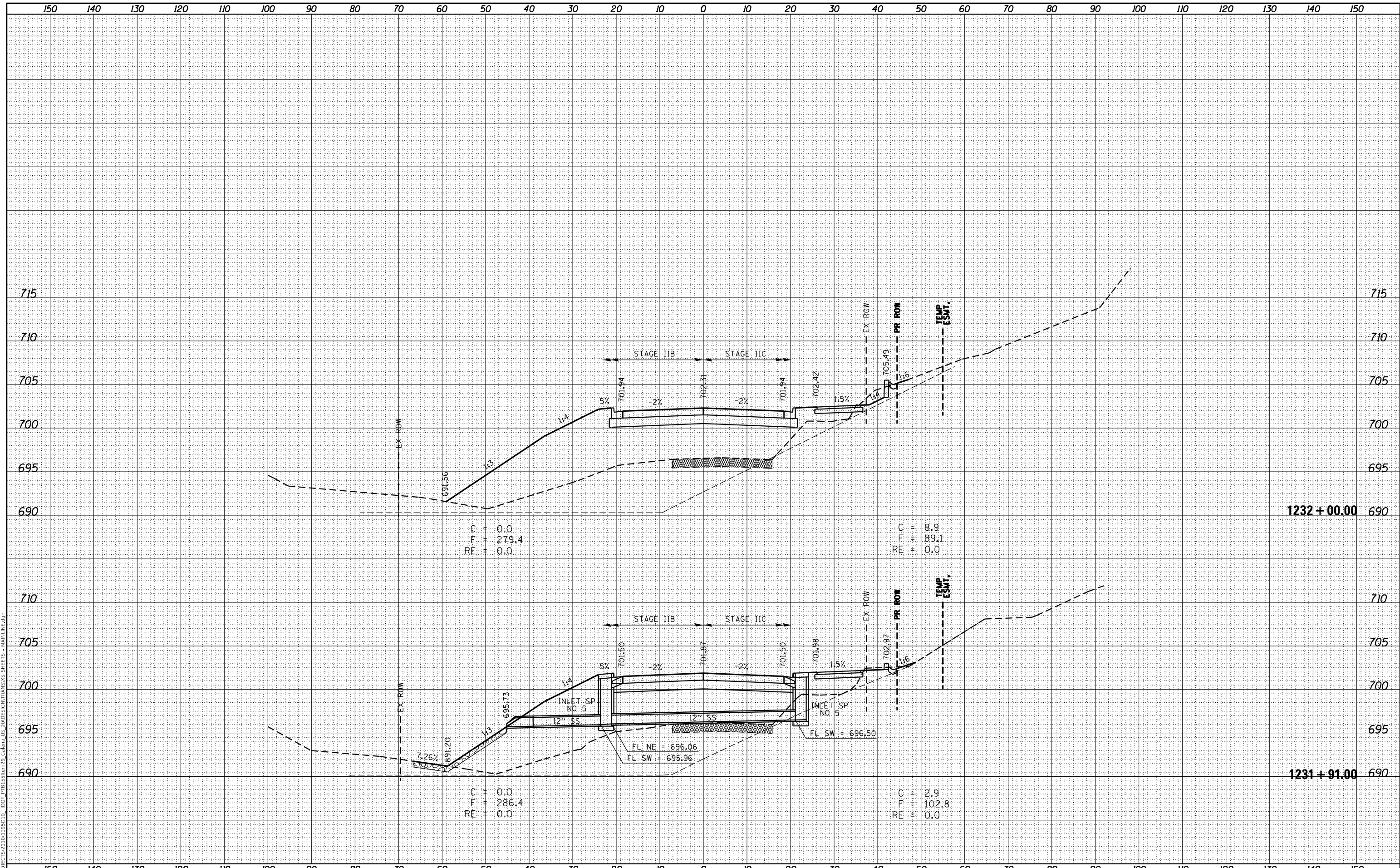
F.A.P. RTE.	SECTION	COUNTY	TOTAL SHEETS	SHEET NO.
301	29R-1	JO DAVIESS	679	571
			CONTRACT NO. 64880	

ILLINOIS FED. AID PROJECT

FINAL SURVEY NO.	SURVEYED	DATE
NOTE BOOK NO.	PLOTTED	
	TEMPLATE	
	AREAS CHECKED	

ORIGINAL SURVEY NO.	SURVEYED	DATE
NOTE BOOK NO.	PLOTTED	
	TEMPLATE	
	AREAS CHECKED	

MODEL: Definit
 FILE NAME: S:\PROJECTS\2010\095510 - IDOT PFB\ESTIM99_Galena US 20\DESIGN\TRANSXS SHEETS - MAIN\INF.dgn



C = 0.0
 F = 279.4
 RE = 0.0

C = 8.9
 F = 89.1
 RE = 0.0

C = 0.0
 F = 286.4
 RE = 0.0

C = 2.9
 F = 102.8
 RE = 0.0



USER NAME = mslick	DESIGNED - AMF	REVISED -
	DRAWN - TJA	REVISED -
PLOT SCALE = 240,0000' / ft.	CHECKED - GFS	REVISED -
PLOT DATE = 10/15/2021	DATE - 5/22/20	REVISED -

**STATE OF ILLINOIS
 DEPARTMENT OF TRANSPORTATION**

**IL RTE 84 / US 20
 CROSS SECTIONS**

SCALE: N / A SHEET 150 OF 199 SHEETS STA. 1231+91.00 TO STA. 1232+00.00

F.A.P. RTE.	SECTION	COUNTY	TOTAL SHEETS	SHEET NO.
301	29R-1	JO DAVISS	679	572
			CONTRACT NO. 64880	

ILLINOIS FED. AID PROJECT

FINAL SURVEY NO.	SURVEYED	DATE
NOTE BOOK	PLOTTED	
AREAS CHECKED	TEMPLATE	
	AREAS	

ORIGINAL SURVEY NO.	SURVEYED	DATE
NOTE BOOK	PLOTTED	
AREAS CHECKED	TEMPLATE	
	AREAS	

MODEL: Definit
 FILE NAME: S:\PROJECTS\2010\095510 - IDOT PFB\ESTIM99 Galena US 20\DESIGN\TRANSXS SHEETS - MAIN\1F.dwg



USER NAME = mslick	DESIGNED - AMF	REVISED -
	DRAWN - TJA	REVISED -
PLOT SCALE = 240,0000' / ft.	CHECKED - GFS	REVISED -
PLOT DATE = 10/15/2021	DATE - 5/22/20	REVISED -

**STATE OF ILLINOIS
DEPARTMENT OF TRANSPORTATION**

**IL RTE 84 / US 20
CROSS SECTIONS**

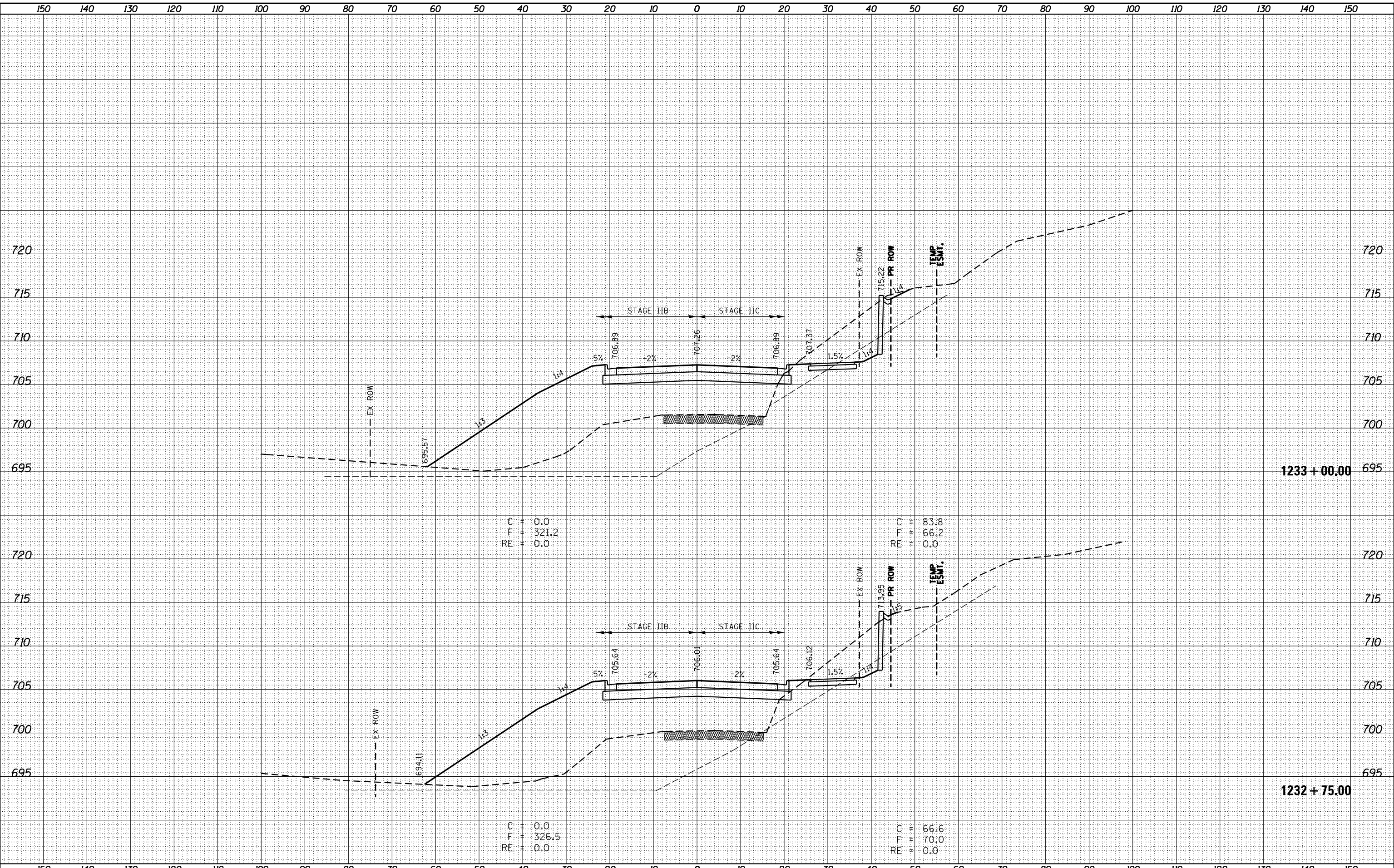
SCALE: N / A SHEET 151 OF 199 SHEETS STA. 1232+25.00 TO STA. 1232+50.00

F.A.P. RTE. 301	SECTION 29R-1	COUNTY JO DAVIESS	TOTAL SHEETS 679	SHEET NO. 573
			CONTRACT NO. 64880	
ILLINOIS FED. AID PROJECT				

FINAL SURVEY NO.	SURVEYED	DATE
NOTE BOOK	PLOTTED	
AREAS CHECKED	TEMPLATE	
	AREAS CHECKED	

ORIGINAL SURVEY NO.	SURVEYED	DATE
NOTE BOOK	PLOTTED	
AREAS CHECKED	TEMPLATE	
	AREAS CHECKED	

MODEL: Definit
 FILE NAME: S:\PROJECTS\2010\095510 - IDOT PFB\ESTIM\29_Galena_US-20\DESIGN\TRANS\XSS SHEETS - MAIN\1F.dwg



C = 0.0
 F = 321.2
 RE = 0.0

C = 83.8
 F = 66.2
 RE = 0.0

C = 0.0
 F = 326.5
 RE = 0.0

C = 66.6
 F = 70.0
 RE = 0.0



USER NAME = mslick	DESIGNED - AMF	REVISED -
	DRAWN - TJA	REVISED -
PLOT SCALE = 240,0000' / ft.	CHECKED - GFS	REVISED -
PLOT DATE = 10/15/2021	DATE - 5/22/20	REVISED -

**STATE OF ILLINOIS
 DEPARTMENT OF TRANSPORTATION**

**IL RTE 84 / US 20
 CROSS SECTIONS**

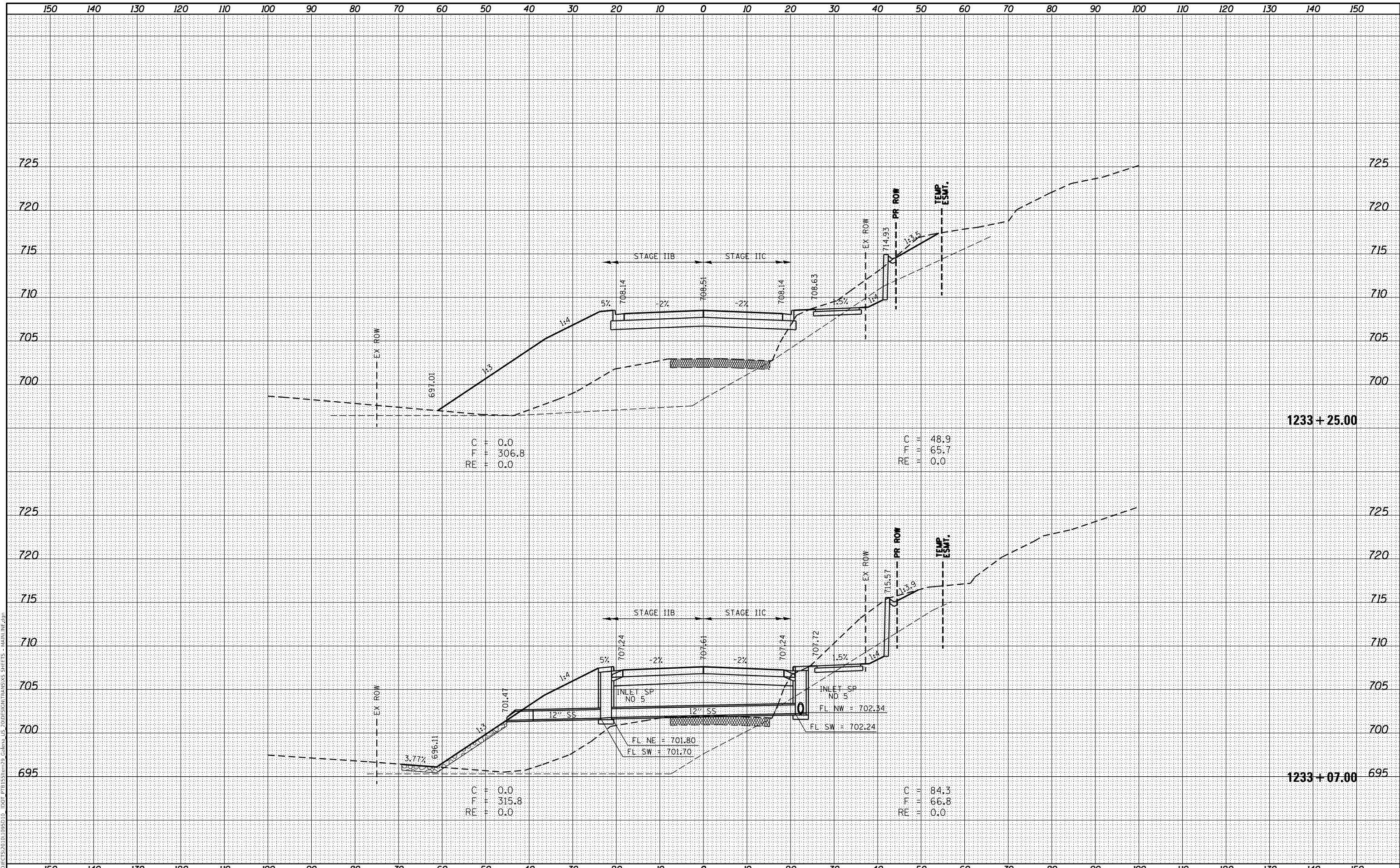
SCALE: N / A SHEET 152 OF 199 SHEETS STA. 1232+75.00 TO STA. 1233+00.00

F.A.P. RTE. 301	SECTION 29R-1	COUNTY JO DAVIESS	TOTAL SHEETS 679	SHEET NO. 574
			CONTRACT NO. 64880	
ILLINOIS FED. AID PROJECT				

DATE	
BY	
SURVEYED	
PLOTTED	
TEMPLATE	
NOTE BOOK	
AREAS CHECKED	
NO.	

DATE	
BY	
SURVEYED	
PLOTTED	
TEMPLATE	
NOTE BOOK	
AREAS CHECKED	
NO.	

MODEL: Definit
 FILE NAME: S:\PROJECTS\2010\095510 - IDOT PFB\ESTIM\29 Galena US 20\DESIGN\TRANSXS SHEETS - MAIN\1F.dgn



USER NAME = mslick	DESIGNED - AMF	REVISED -
	DRAWN - TJA	REVISED -
PLOT SCALE = 240,0000' / ft.	CHECKED - GFS	REVISED -
PLOT DATE = 10/15/2021	DATE - 5/22/20	REVISED -

**STATE OF ILLINOIS
DEPARTMENT OF TRANSPORTATION**

**IL RTE 84 / US 20
CROSS SECTIONS**

SCALE: N / A SHEET 153 OF 199 SHEETS STA. 1233+07.00 TO STA. 1233+25.00

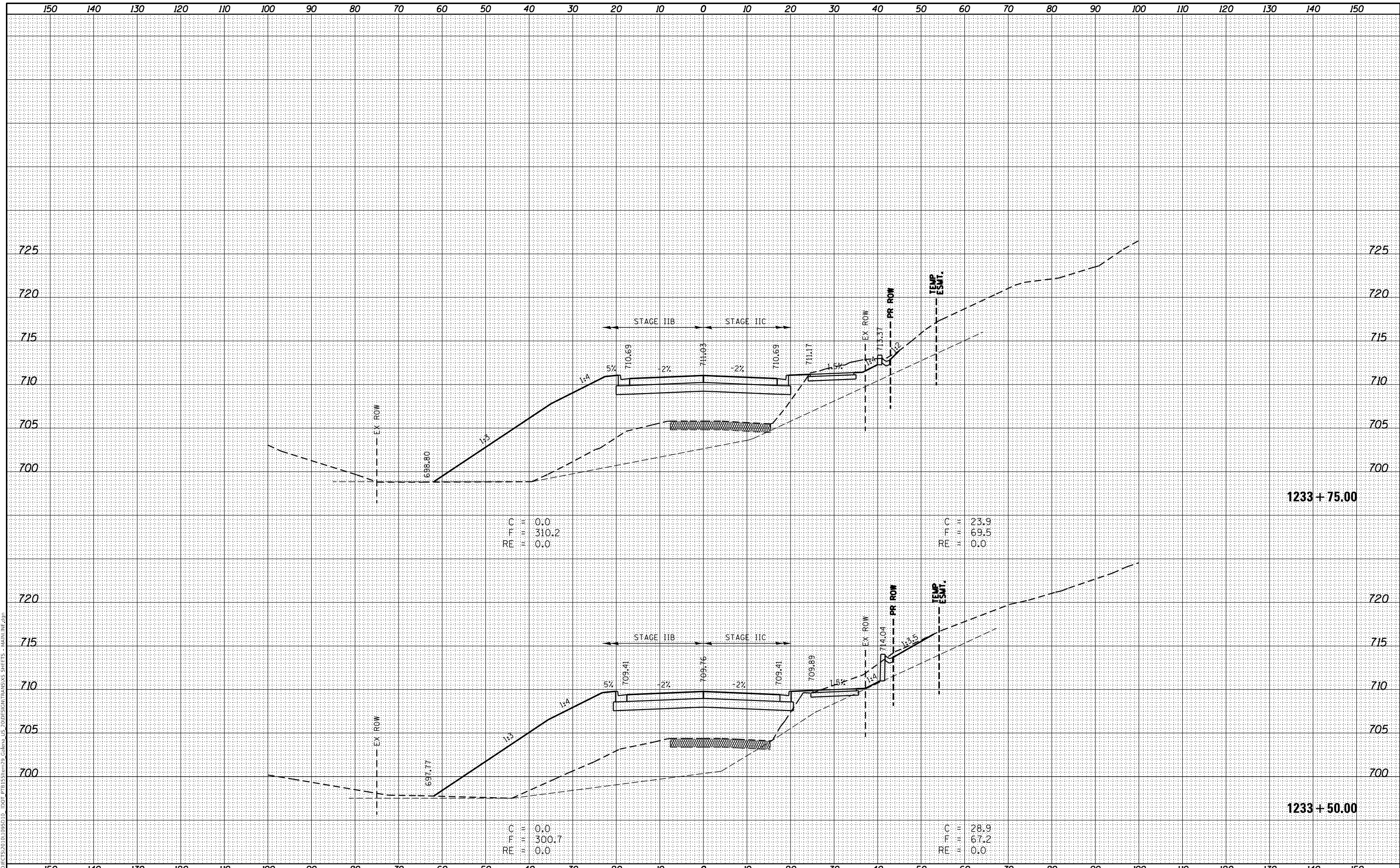
F.A.P. RTE.	SECTION	COUNTY	TOTAL SHEETS	SHEET NO.
301	29R-1	JO DAVISSL	679	575
				CONTRACT NO. 64880

ILLINOIS FED. AID PROJECT

FINAL SURVEY	SURVEYED	DATE
NOTE BOOK	PLOTTED	
NO.	TEMPLATE	
	AREAS CHECKED	

ORIGINAL SURVEY	SURVEYED	DATE
NOTE BOOK	PLOTTED	
NO.	TEMPLATE	
	AREAS CHECKED	

MODEL: Default
 FILE NAME: S:\PROJECTS\2010\095510 - IDOT PFB\ESTIM99 Galena US 20\DESIGN\TRANSXS SHEETS - MAIN\1F.dgn



C 0.0
 F 310.2
 RE 0.0

C 23.9
 F 69.5
 RE 0.0

C 0.0
 F 300.7
 RE 0.0

C 28.9
 F 67.2
 RE 0.0



USER NAME = mslick	DESIGNED - AMF	REVISED -
	DRAWN - TJA	REVISED -
PLOT SCALE = 240,0000' / ft.	CHECKED - GFS	REVISED -
PLOT DATE = 10/15/2021	DATE - 5/22/20	REVISED -

STATE OF ILLINOIS
 DEPARTMENT OF TRANSPORTATION

IL RTE 84 / US 20
 CROSS SECTIONS

SCALE: N / A SHEET 154 OF 199 SHEETS STA. 1233+50.00 TO STA. 1233+75.00

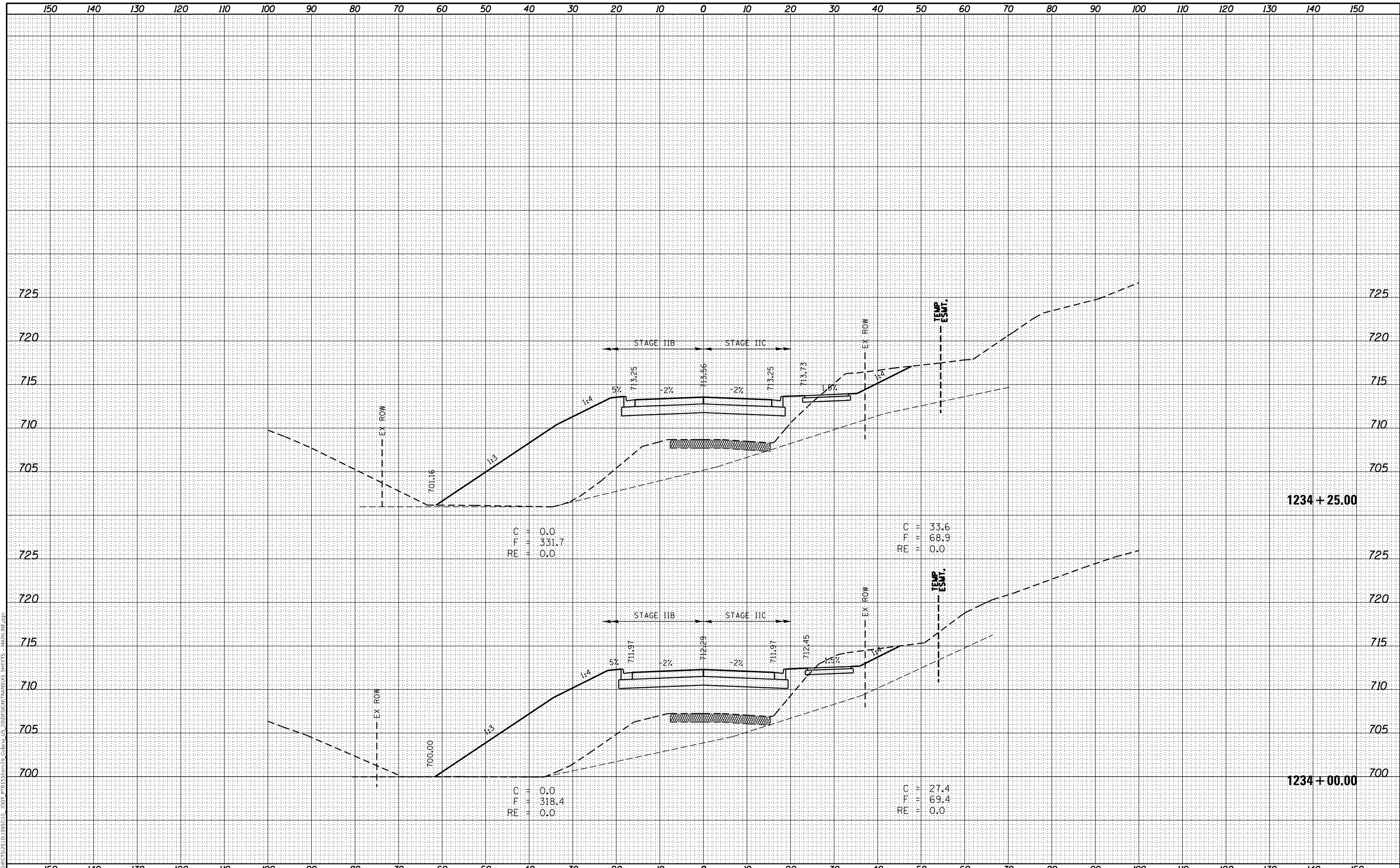
F.A.P. RTE.	SECTION	COUNTY	TOTAL SHEETS	SHEET NO.
301	29R-1	JO DAVISS	679	576
				CONTRACT NO. 64880

ILLINOIS FED. AID PROJECT

FINAL SURVEY NO.	SURVEYED	DATE
NOTE BOOK	PLOTTED	
AREAS CHECKED	TEMPLATE	
	AREAS	

ORIGINAL SURVEY NO.	SURVEYED	DATE
NOTE BOOK	PLOTTED	
AREAS CHECKED	TEMPLATE	
	AREAS	

MODEL: Definit
 FILE NAME: S:\PROJECTS\2010\095510 - IDOT PFB E-Stream\9_Galena US 20\DESIGN\TRANSXS SHEETS - MAIN\1F.dwg



C = 0.0
 F = 331.7
 RE = 0.0

C = 33.6
 F = 68.9
 RE = 0.0

C = 0.0
 F = 318.4
 RE = 0.0

C = 27.4
 F = 69.4
 RE = 0.0



USER NAME = mslick	DESIGNED - AMF	REVISED -
	DRAWN - TJA	REVISED -
PLOT SCALE = 240,0000' / ft.	CHECKED - GFS	REVISED -
PLOT DATE = 10/15/2021	DATE - 5/22/20	REVISED -

STATE OF ILLINOIS
 DEPARTMENT OF TRANSPORTATION

IL RTE 84 / US 20
 CROSS SECTIONS

SCALE: N / A SHEET 155 OF 199 SHEETS STA. 1234+00.00 TO STA. 1234+25.00

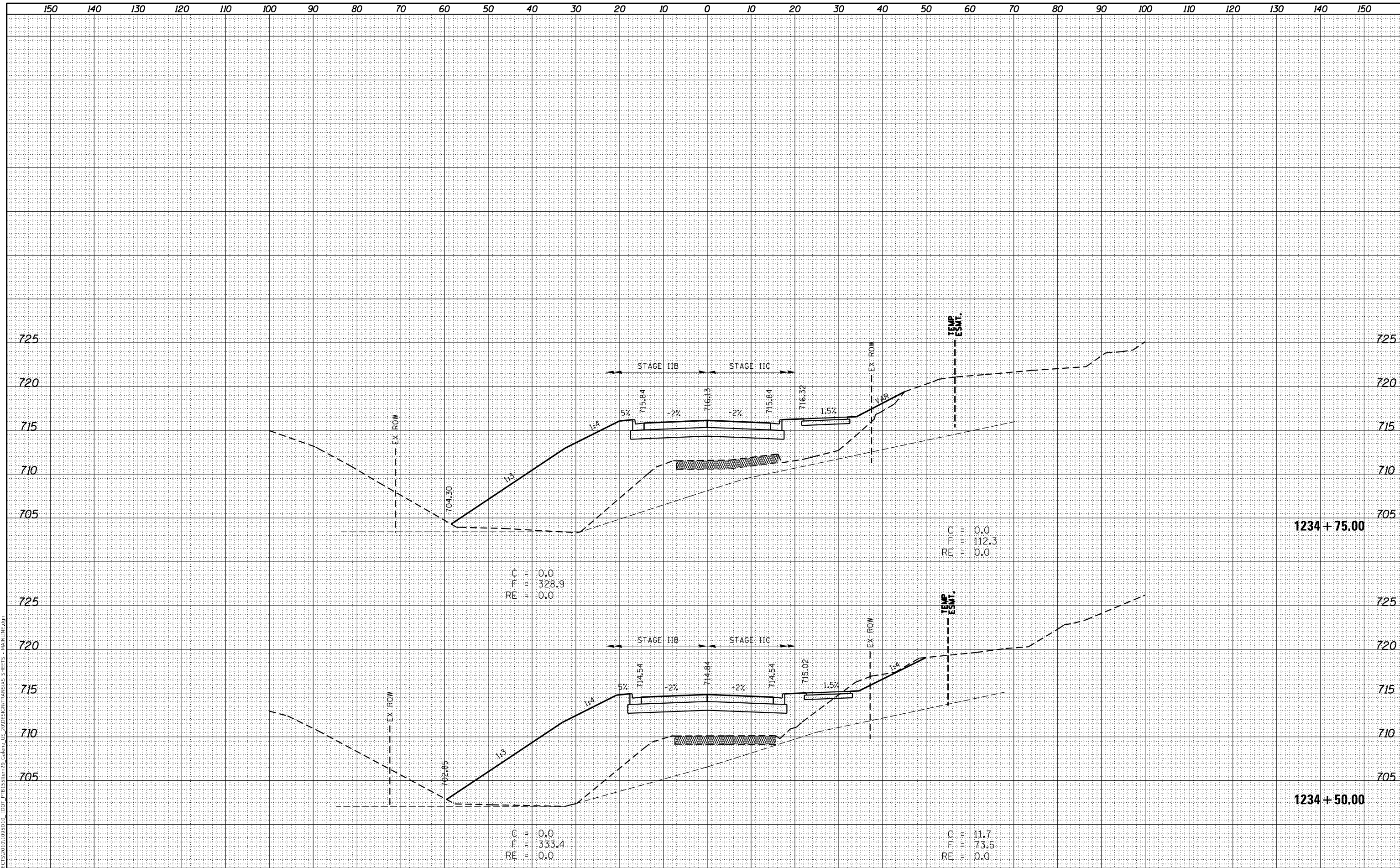
F.A.P. RTE.	SECTION	COUNTY	TOTAL SHEETS	SHEET NO.
301	29R-1	JO DAVISSL	679	577
			CONTRACT NO. 64880	

ILLINOIS FED. AID PROJECT

FINAL SURVEY	SURVEYED	DATE
NOTE BOOK	PLOTTED	
NO.	TEMPLATE	
	AREAS	
	CHECKED	

ORIGINAL SURVEY	SURVEYED	DATE
NOTE BOOK	PLOTTED	
NO.	TEMPLATE	
	AREAS	
	CHECKED	

MODEL: Definit
 FILE NAME: S:\PROJECTS\2010\095510 - IDOT PFB\ESTIM99 Galena US 20\DESIGN\TRANSXS SHEETS - MAIN\16.dgn



USER NAME = mslick	DESIGNED - AMF	REVISED -
	DRAWN - TJA	REVISED -
PLOT SCALE = 240,0000' / ft.	CHECKED - GFS	REVISED -
PLOT DATE = 10/15/2021	DATE - 5/22/20	REVISED -

**STATE OF ILLINOIS
 DEPARTMENT OF TRANSPORTATION**

**IL RTE 84 / US 20
 CROSS SECTIONS**

SCALE: N / A SHEET 156 OF 199 SHEETS STA. 1234+50.00 TO STA. 1234+75.00

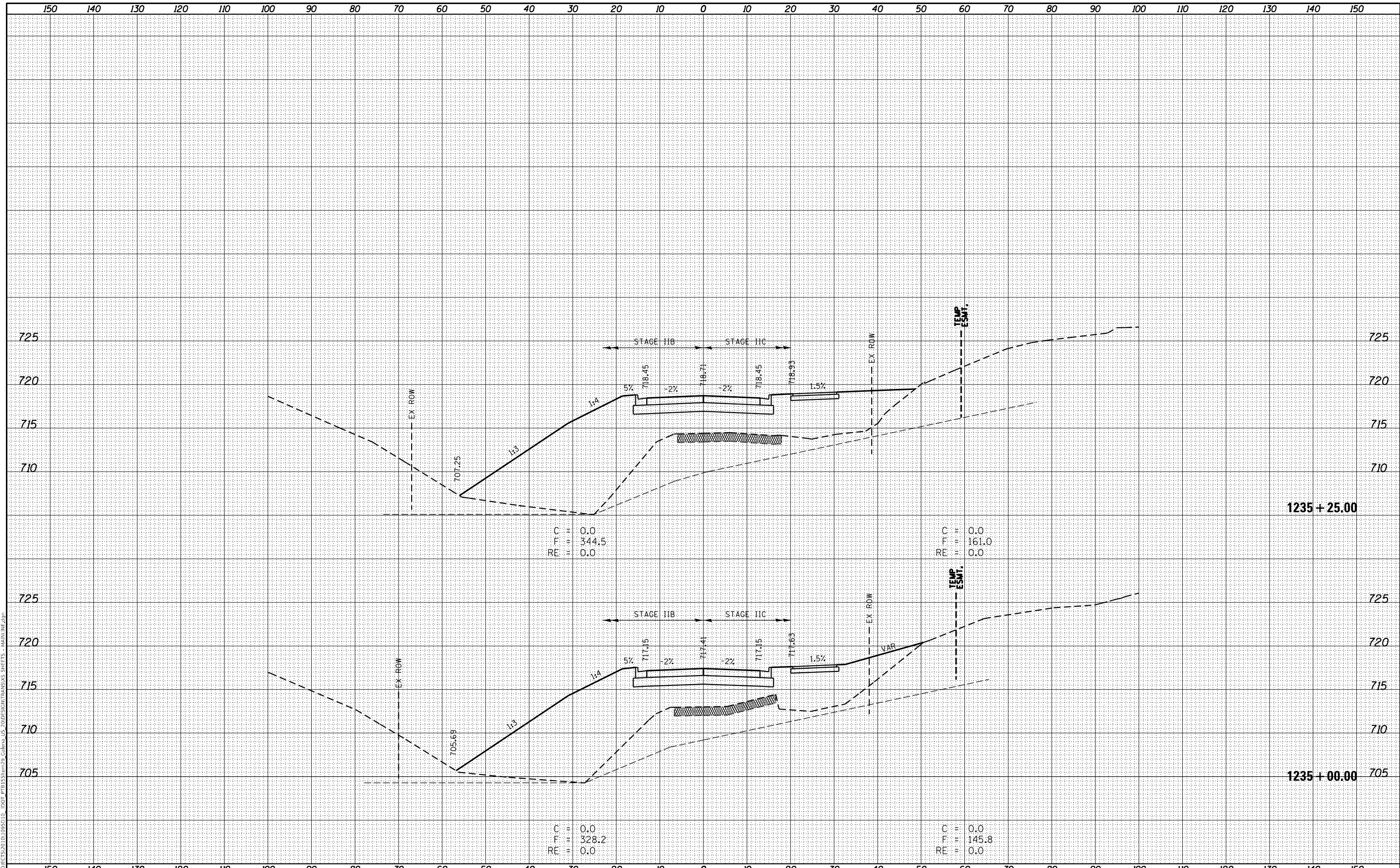
F.A.P. RTE.	SECTION	COUNTY	TOTAL SHEETS	SHEET NO.
301	29R-1	JO DAVIESS	679	578
				CONTRACT NO. 64880

ILLINOIS FED. AID PROJECT

FINAL SURVEY NO.	SURVEYED	DATE
NOTE BOOK NO.	PLOTTED	
	TEMPLATE	
	AREAS CHECKED	

ORIGINAL SURVEY NO.	SURVEYED	DATE
	PLOTTED	
	TEMPLATE	
	AREAS CHECKED	

MODEL: Definit
 FILE NAME: S:\PROJECTS\2010\095510 - IDOT P1B15\29-Galena US 20\DESIGN\TRANSXS SHEETS - MAIN\1F.dwg



USER NAME = mslick	DESIGNED - AMF	REVISED -
	DRAWN - TJA	REVISED -
PLOT SCALE = 240,0000' / ft.	CHECKED - GFS	REVISED -
PLOT DATE = 10/15/2021	DATE - 5/22/20	REVISED -

**STATE OF ILLINOIS
 DEPARTMENT OF TRANSPORTATION**

**IL RTE 84 / US 20
 CROSS SECTIONS**

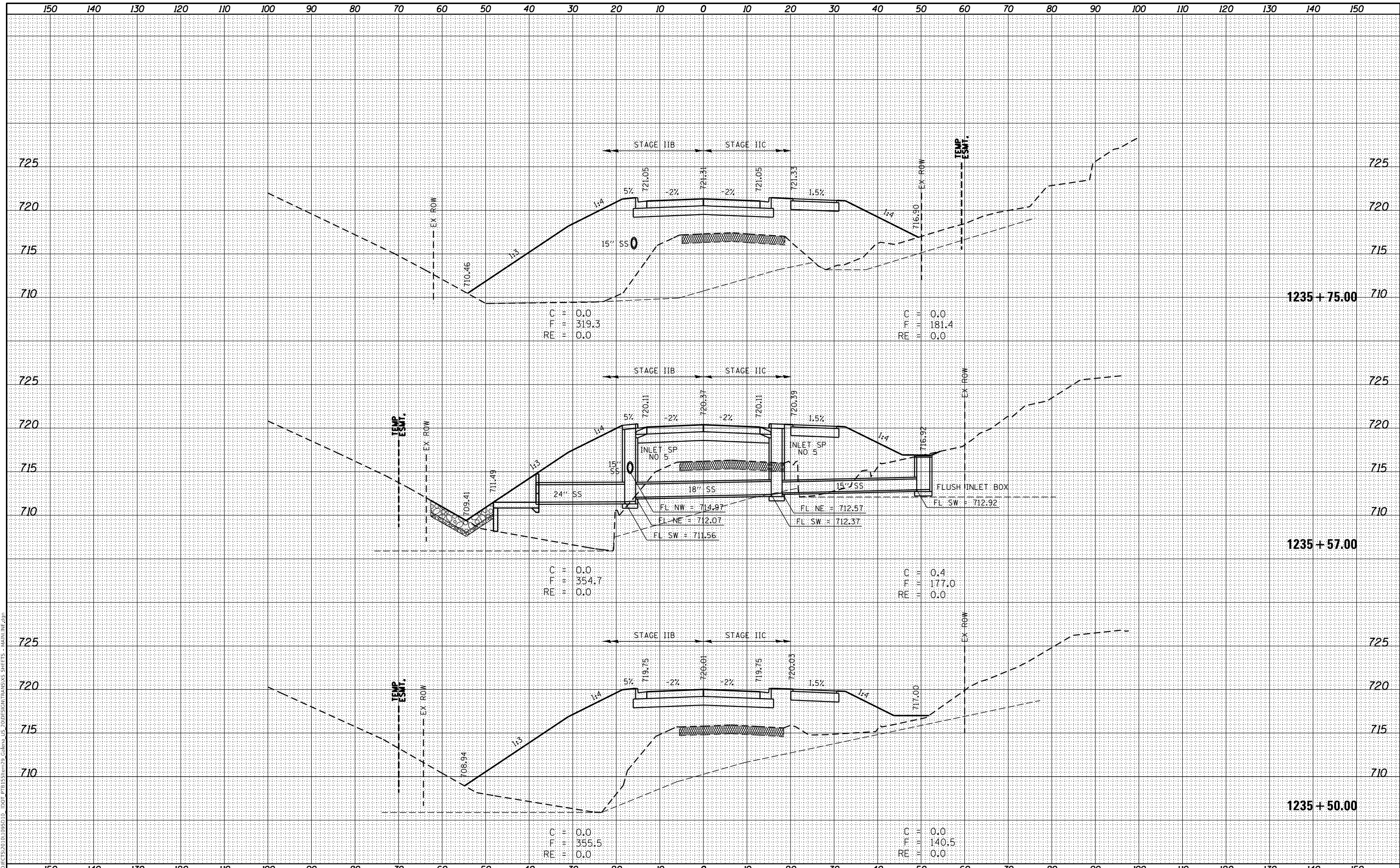
SCALE: N / A SHEET 157 OF 199 SHEETS STA. 1235+00.00 TO STA. 1235+25.00

F.A.P. RTE.	SECTION	COUNTY	TOTAL SHEETS	SHEET NO.
301	29R-1	JO DAVISS	679	579
				CONTRACT NO. 64880
ILLINOIS FED. AID PROJECT				

DATE	
BY	
FINAL SURVEY	SURVEYED
NOTE BOOK	PLOTTED
NO.	TEMPLATE
	AREAS CHECKED
	AREAS CHECKED

DATE	
BY	
ORIGINAL SURVEY	SURVEYED
NOTE BOOK	PLOTTED
NO.	TEMPLATE
	AREAS CHECKED
	AREAS CHECKED

MODEL: Definit
 FILE NAME: S:\PROJECTS\2010\095510 - IDOT PFB E-Stream\9_Galena US 20\DESIGN\TRANSXS SHEETS - MAIN\16.dwg



WILLET HOFMANN ASSOCIATES INC.
 ENGINEERING ARCHITECTURE LAND SURVEYING
 809 EAST 2ND STREET, DEKal, IL 61021-0387
 T: 815-284-1330 F: 815-284-0999

USER NAME = mslick	DESIGNED - AMF	REVISED -
	DRAWN - TJA	REVISED -
PLOT SCALE = 240,000' / ft.	CHECKED - GFS	REVISED -
PLOT DATE = 10/15/2021	DATE - 5/22/20	REVISED -

STATE OF ILLINOIS
DEPARTMENT OF TRANSPORTATION

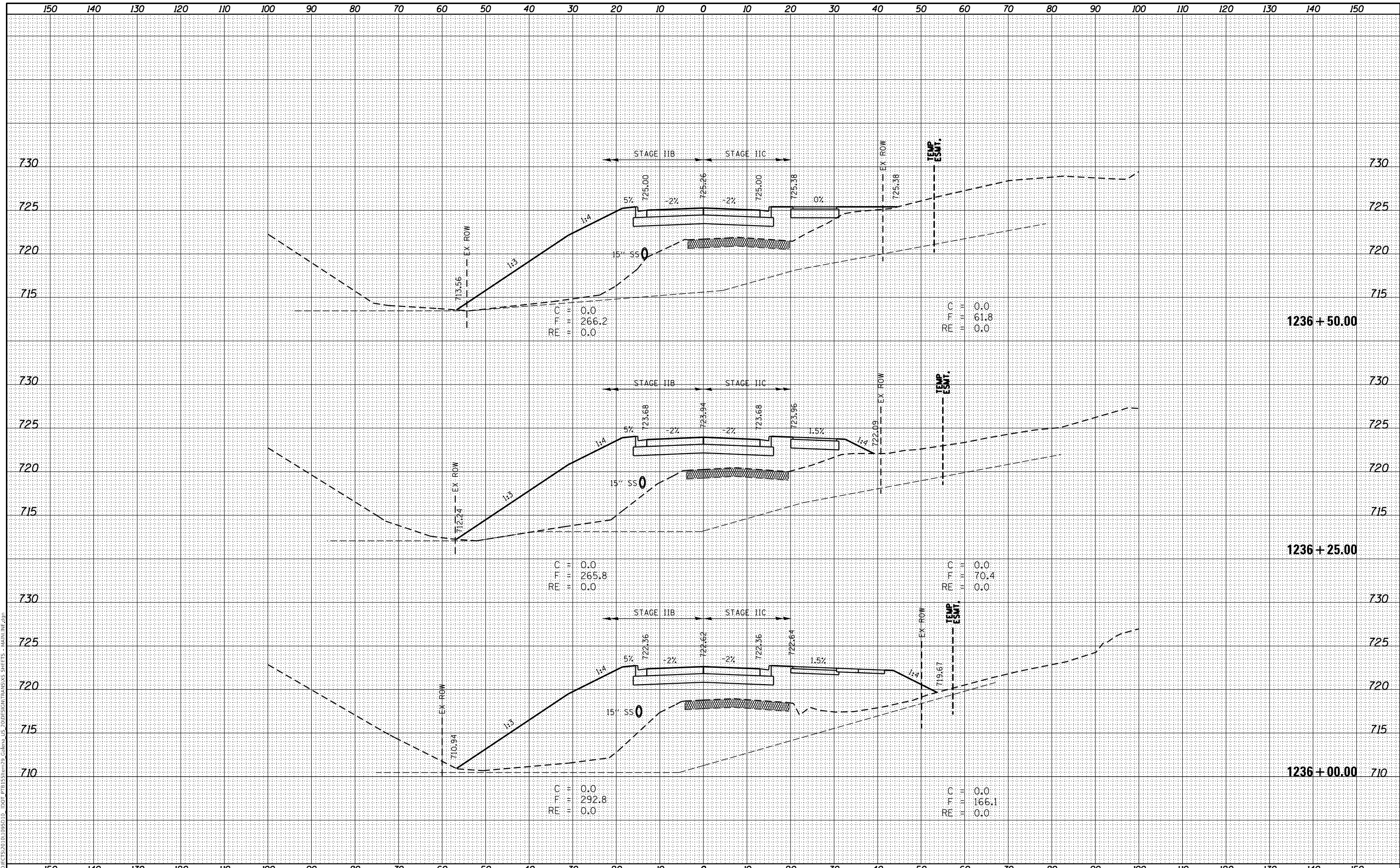
IL RTE 84 / US 20	
CROSS SECTIONS	
SCALE: N / A	SHEET 158 OF 199 SHEETS
STA. 1235+50.00	TO STA. 1235+75.00

F.A.P. RTE.	SECTION	COUNTY	TOTAL SHEETS	SHEET NO.
301	29R-1	JO DAVIESS	679	580
CONTRACT NO. 64880			ILLINOIS FED. AID PROJECT	

DATE	
BY	
SURVEYED	
PLOTTED	
TEMPLATE	
NOTE BOOK	
AREAS CHECKED	
NO.	

DATE	
BY	
SURVEYED	
PLOTTED	
TEMPLATE	
NOTE BOOK	
AREAS CHECKED	
NO.	

MODEL: Definit
 FILE NAME: S:\PROJECTS\2010\095510 - IDOT PFB\ESTIM9\Gallen\US-20\FINAL\TRANSXS SHEETS - MAIN\196.dgn



USER NAME	= mslick
DESIGNED	- AMF
DRAWN	- TJA
CHECKED	- GFS
DATE	- 5/22/20
REVISIONS	
1	REVISED -
2	REVISED -
3	REVISED -
4	REVISED -

**STATE OF ILLINOIS
DEPARTMENT OF TRANSPORTATION**

**IL RTE 84 / US 20
CROSS SECTIONS**

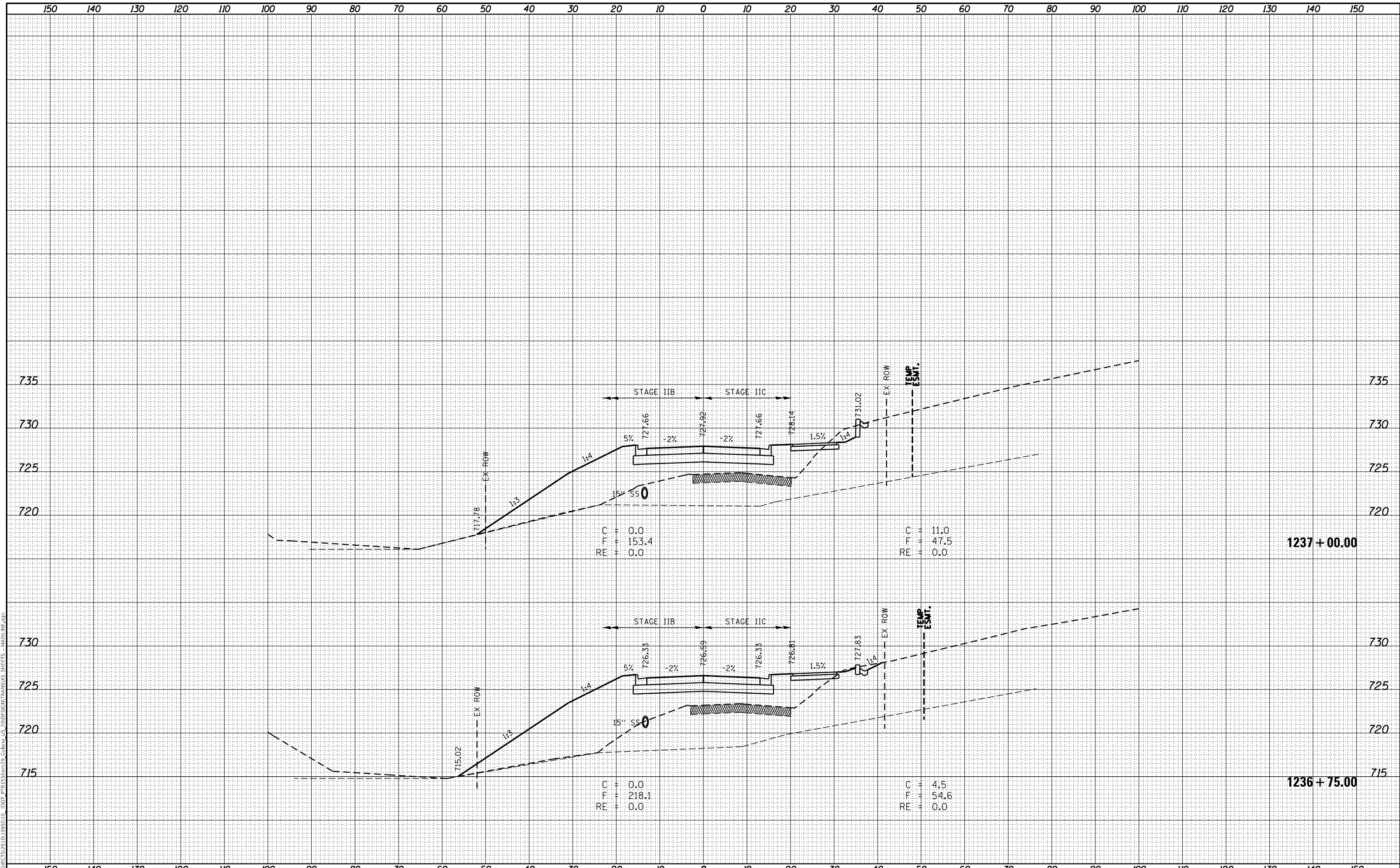
SCALE: N / A SHEET 159 OF 199 SHEETS STA. 1236+00.00 TO STA. 1236+50.00

F.A.P. RTE.	SECTION	COUNTY	TOTAL SHEETS	SHEET NO.
301	29R-1	JO DAVIESS	679	581
			CONTRACT NO. 64880	
ILLINOIS FED. AID PROJECT				

FINAL SURVEY NO.	SURVEYED	DATE
NOTE BOOK	PLOTTED	
AREAS CHECKED	TEMPLATE	
	AREAS CHECKED	

ORIGINAL SURVEY NO.	SURVEYED	DATE
NOTE BOOK	PLOTTED	
AREAS CHECKED	TEMPLATE	
	AREAS CHECKED	

MODEL: Definit
 FILE NAME: S:\PROJECTS\2010\095510 - IDOT PFB\ESTIM99_Galena US 20\DESIGN\TRANSXS SHEETS - MAIN\16.dgn



USER NAME = mslick	DESIGNED - AMF	REVISED -
	DRAWN - TJA	REVISED -
PLOT SCALE = 240,0000' / ft.	CHECKED - GFS	REVISED -
PLOT DATE = 10/15/2021	DATE - 5/22/20	REVISED -

**STATE OF ILLINOIS
DEPARTMENT OF TRANSPORTATION**

**IL RTE 84 / US 20
CROSS SECTIONS**

SCALE: N / A SHEET 160 OF 199 SHEETS STA. 1236+75.00 TO STA. 1237+00.00

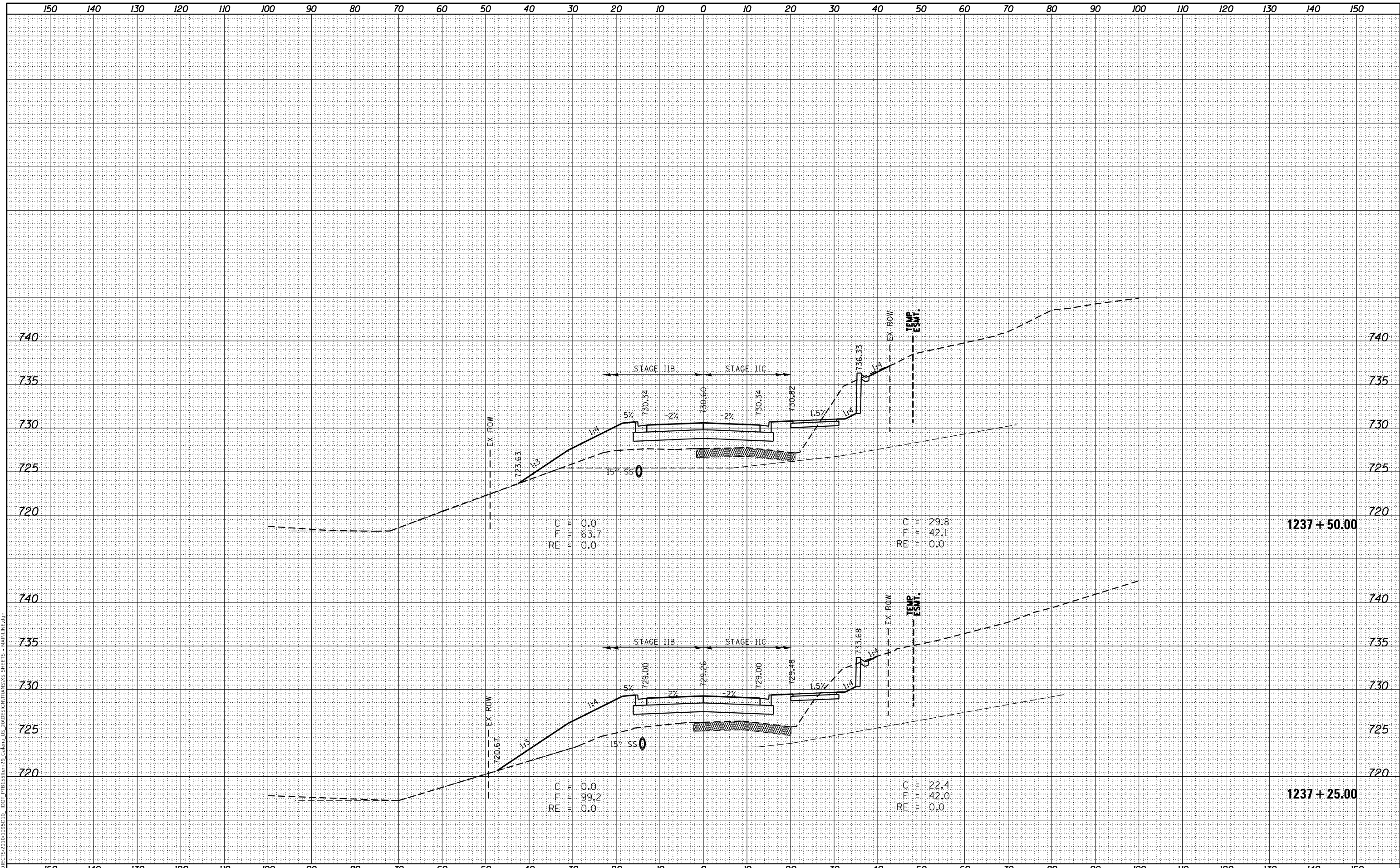
F.A.P. RTE.	SECTION	COUNTY	TOTAL SHEETS	SHEET NO.
301	29R-1	JO DAVIESS	679	582
				CONTRACT NO. 64880

ILLINOIS FED. AID PROJECT

FINAL SURVEY NO.	SURVEYED	DATE
NOTE BOOK	PLOTTED	
AREAS CHECKED	TEMPLATE	
	AREAS CHECKED	

ORIGINAL SURVEY NO.	SURVEYED	DATE
NOTE BOOK	PLOTTED	
AREAS CHECKED	TEMPLATE	
	AREAS CHECKED	

MODEL: Definitive
 FILE NAME: S:\PROJECTS\2010\095510 - IDOT PFB\ESTIM99_Galena US 20\DESIGN\TRANSXS SHEETS - MAIN\16.dwg



USER NAME = mslick	DESIGNED - AMF	REVISED -
	DRAWN - TJA	REVISED -
PLOT SCALE = 240,0000' / ft.	CHECKED - GFS	REVISED -
PLOT DATE = 10/15/2021	DATE - 5/22/20	REVISED -

**STATE OF ILLINOIS
DEPARTMENT OF TRANSPORTATION**

**IL RTE 84 / US 20
CROSS SECTIONS**

SCALE: N / A SHEET 161 OF 199 SHEETS STA. 1237+25.00 TO STA. 1237+50.00

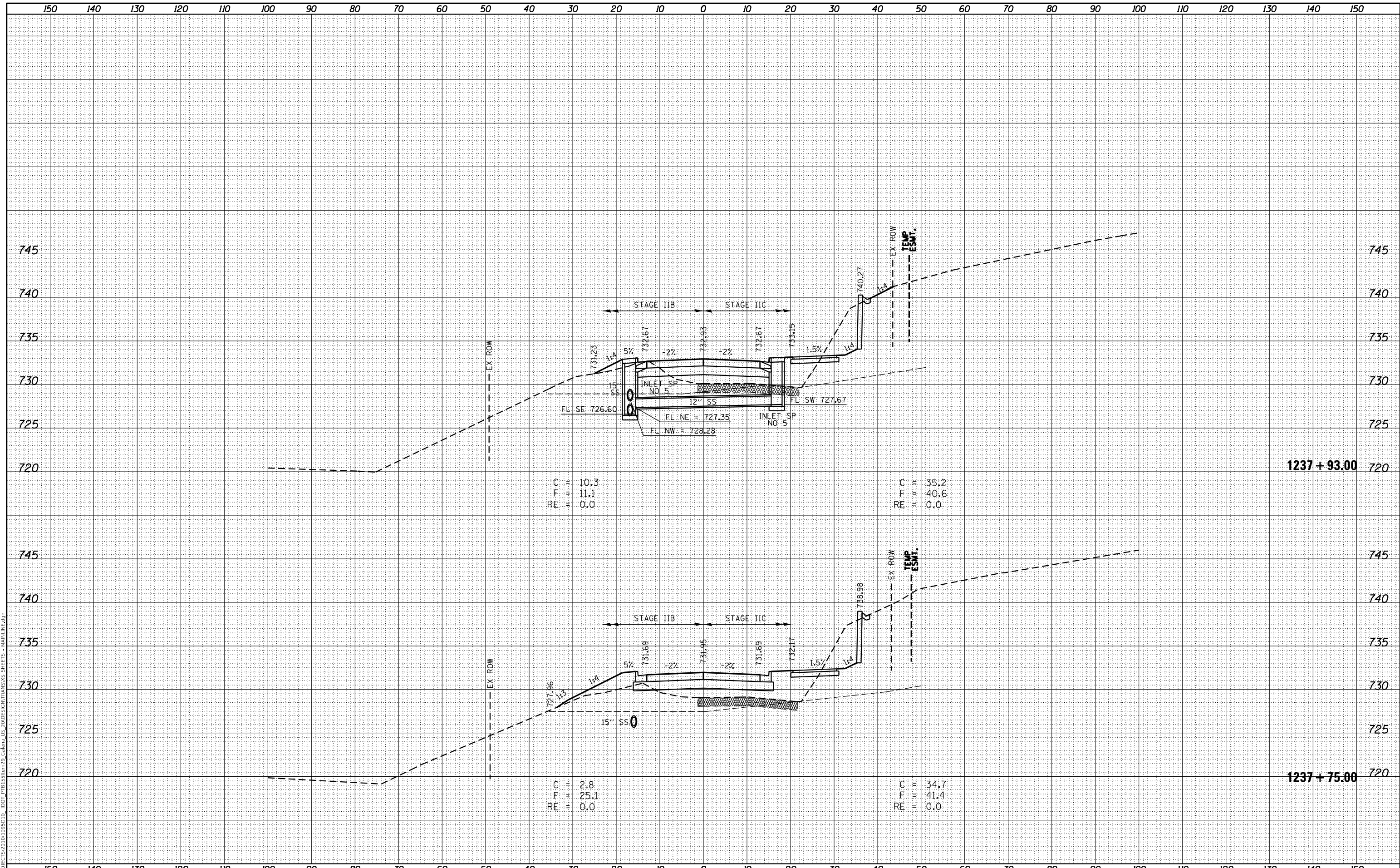
F.A.P. RTE.	SECTION	COUNTY	TOTAL SHEETS	SHEET NO.
301	29R-1	JO DAVIESS	679	583
			CONTRACT NO. 64880	

ILLINOIS FED. AID PROJECT

FINAL SURVEY	SURVEYED	DATE
NOTE BOOK	PLOTTED	
NO.	TEMPLATE	
	AREAS	
	CHECKED	

ORIGINAL SURVEY	SURVEYED	DATE
NOTE BOOK	PLOTTED	
NO.	TEMPLATE	
	AREAS	
	CHECKED	

MODEL: Definit
 FILE NAME: S:\PROJECTS\2010\095510 - IDOT PFB\ESTIM\29 Galena US 20\DESIGN\TRANSXS SHEETS - MAIN\WF.dgn



USER NAME = mslick	DESIGNED - AMF	REVISED -
	DRAWN - TJA	REVISED -
PLOT SCALE = 240,0000' / ft.	CHECKED - GFS	REVISED -
PLOT DATE = 10/15/2021	DATE - 5/22/20	REVISED -

**STATE OF ILLINOIS
 DEPARTMENT OF TRANSPORTATION**

**IL RTE 84 / US 20
 CROSS SECTIONS**

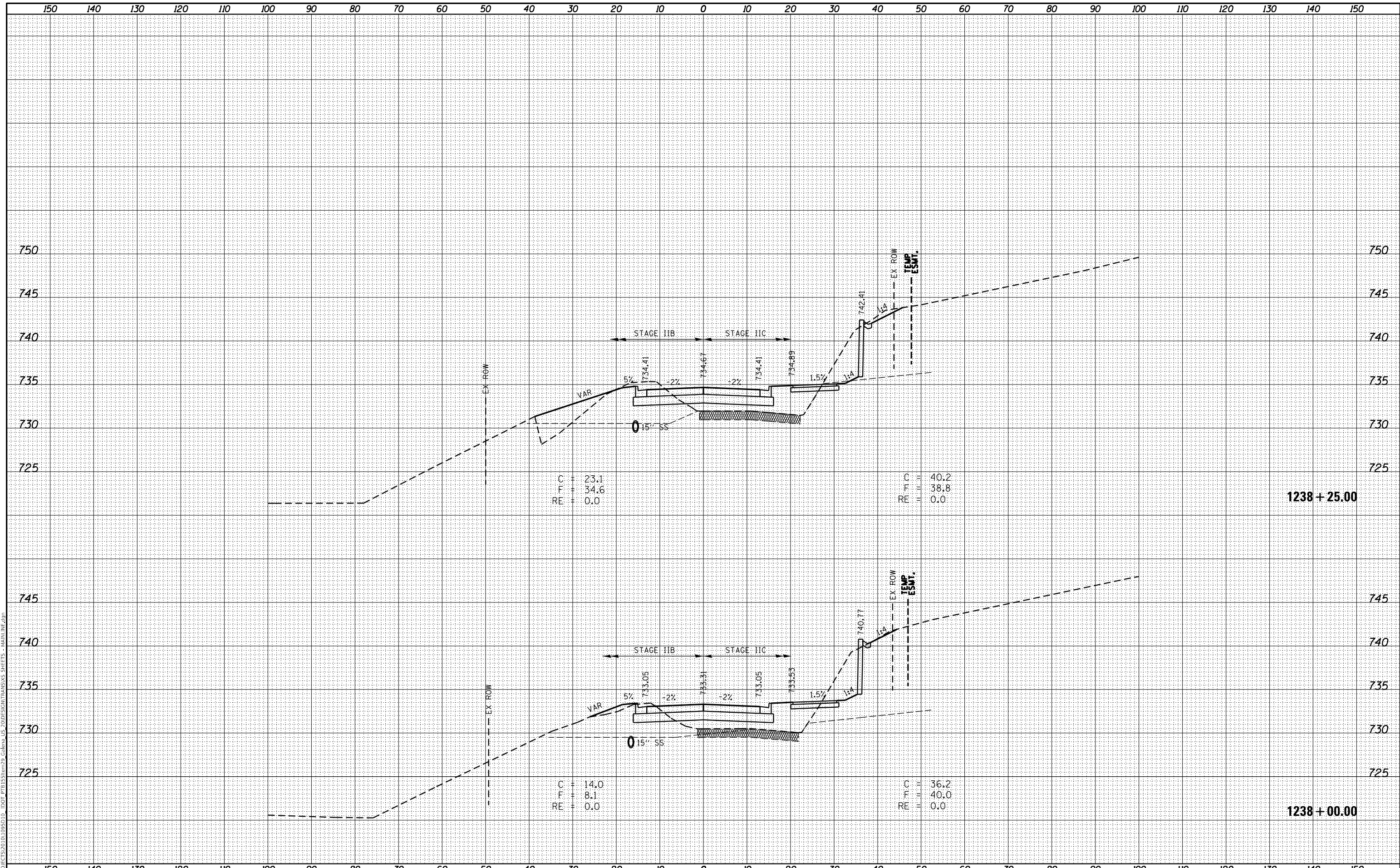
SCALE: N / A SHEET 162 OF 199 SHEETS STA. 1237+75.00 TO STA. 1237+93.00

F.A.P. RTE. 301	SECTION 29R-1	COUNTY JO DAVIESS	TOTAL SHEETS 679	SHEET NO. 584
			CONTRACT NO. 64880	
ILLINOIS FED. AID PROJECT				

FINAL SURVEY	SURVEYED	DATE
NOTE BOOK	PLOTTED	
NO.	TEMPLATE	
	AREAS	
	CHECKED	

ORIGINAL SURVEY	SURVEYED	DATE
NOTE BOOK	PLOTTED	
NO.	TEMPLATE	
	AREAS	
	CHECKED	

MODEL: Definit
 FILE NAME: S:\PROJECTS\2010\095510 - IDOT P1B15\29 Galena US 20\DESIGN\TRANS\SS SHEETS - MAIN\16.dgn



USER NAME = mslick	DESIGNED - AMF	REvised -
	DRAWN - TJA	REvised -
PLOT SCALE = 240,0000' / ft.	CHECKED - GFS	REvised -
PLOT DATE = 10/15/2021	DATE - 5/22/20	REvised -

**STATE OF ILLINOIS
DEPARTMENT OF TRANSPORTATION**

**IL RTE 84 / US 20
CROSS SECTIONS**

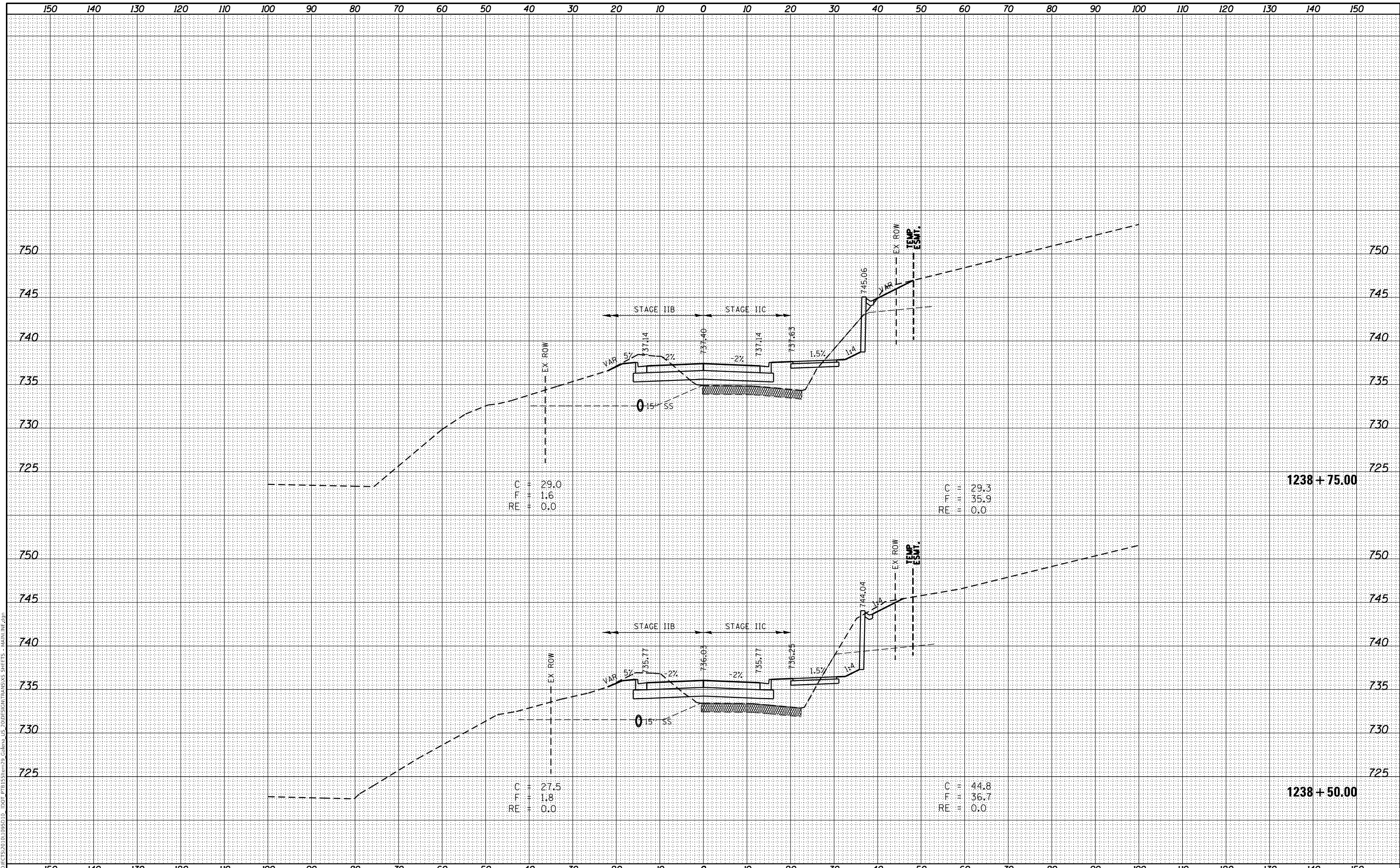
SCALE: N / A SHEET 163 OF 199 SHEETS STA. 1238+00.00 TO STA. 1238+25.00

F.A.P. RTE.	SECTION	COUNTY	TOTAL SHEETS	SHEET NO.
301	29R-1	JO DAVIESS	679	585
				CONTRACT NO. 64880
ILLINOIS FED. AID PROJECT				

DATE	
BY	
SURVEYED	
PLOTTED	
TEMPLATE	
AREAS	
CHECKED	
NO.	
FINAL SURVEY	
NOTE BOOK	
AREAS CHECKED	
NO.	

DATE	
BY	
SURVEYED	
PLOTTED	
TEMPLATE	
AREAS	
CHECKED	
NO.	
ORIGINAL SURVEY	
NOTE BOOK	
AREAS CHECKED	
NO.	

MODEL: Definit
 FILE NAME: S:\PROJECTS\2010\095510 - IDOT P1B15\29-Galena US 20\DESIGN\TRANSXS SHEETS - MAIN\16.dgn



USER NAME = mslick	DESIGNED - AMF	REVISED -
	DRAWN - TJA	REVISED -
PLOT SCALE = 240,0000' / ft.	CHECKED - GFS	REVISED -
PLOT DATE = 10/15/2021	DATE - 5/22/20	REVISED -

**STATE OF ILLINOIS
 DEPARTMENT OF TRANSPORTATION**

**IL RTE 84 / US 20
 CROSS SECTIONS**

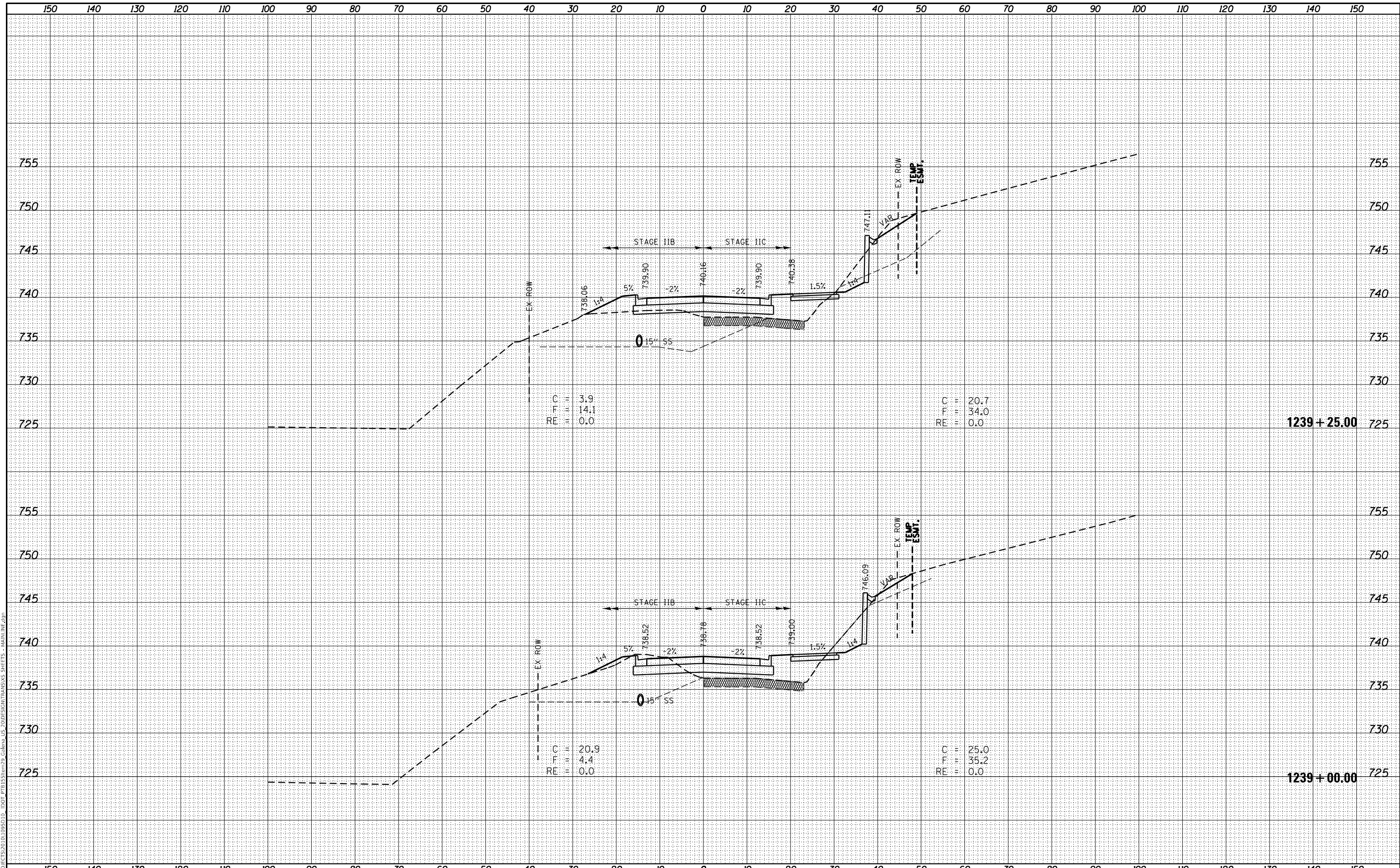
SCALE: N / A SHEET 164 OF 199 SHEETS STA. 1238+50.00 TO STA. 1238+75.00

F.A.P. RTE.	SECTION	COUNTY	TOTAL SHEETS	SHEET NO.
301	29R-1	JO DAVIESS	679	586
				CONTRACT NO. 64880
ILLINOIS FED. AID PROJECT				

DATE	
BY	
SURVEYED	
PLOTTED	
TEMPLATE	
NOTE BOOK	
AREAS CHECKED	
NO.	

DATE	
BY	
SURVEYED	
PLOTTED	
TEMPLATE	
NOTE BOOK	
AREAS CHECKED	
NO.	

MODEL: Definit
 FILE NAME: S:\PROJECTS\2010\0955\10 - IDOT P1B15\29-Galena US 20\DESIGN\TRANSXS SHEETS - MAIN\16.dwg



USER NAME = mslick	DESIGNED - AMF	REVISED -
	DRAWN - TJA	REVISED -
PLOT SCALE = 240,0000' / ft.	CHECKED - GFS	REVISED -
PLOT DATE = 10/15/2021	DATE - 5/22/20	REVISED -

**STATE OF ILLINOIS
DEPARTMENT OF TRANSPORTATION**

**IL RTE 84 / US 20
CROSS SECTIONS**

SCALE: N / A SHEET 165 OF 199 SHEETS STA. 1239+00.00 TO STA. 1239+25.00

F.A.P. RTE.	SECTION	COUNTY	TOTAL SHEETS	SHEET NO.
301	29R-1	JO DAVIESS	679	587
				CONTRACT NO. 64880

ILLINOIS FED. AID PROJECT

DATE	
BY	
FINAL SURVEY	SURVEYED
NOTE BOOK	PLOTTED
NO.	TEMPLATE
	AREAS CHECKED
	AREAS CHECKED

DATE	
BY	
ORIGINAL SURVEY	SURVEYED
NOTE BOOK	PLOTTED
NO.	TEMPLATE
	AREAS CHECKED
	AREAS CHECKED

MODEL: Definit
 FILE NAME: S:\PROJECTS\2010\095510 - IDOT PFB\ESTIM99_Galena US 20\DESIGN\TRANSXS SHEETS - MAIN\16.dwg



USER NAME = mslick	DESIGNED - AMF	REVISED -
	DRAWN - TJA	REVISED -
PLOT SCALE = 240,0000' / ft.	CHECKED - GFS	REVISED -
PLOT DATE = 10/15/2021	DATE - 5/22/20	REVISED -

STATE OF ILLINOIS
DEPARTMENT OF TRANSPORTATION

IL RTE 84 / US 20
CROSS SECTIONS

SCALE: N / A SHEET 166 OF 199 SHEETS STA. 1239+50.00 TO STA. 1239+75.00

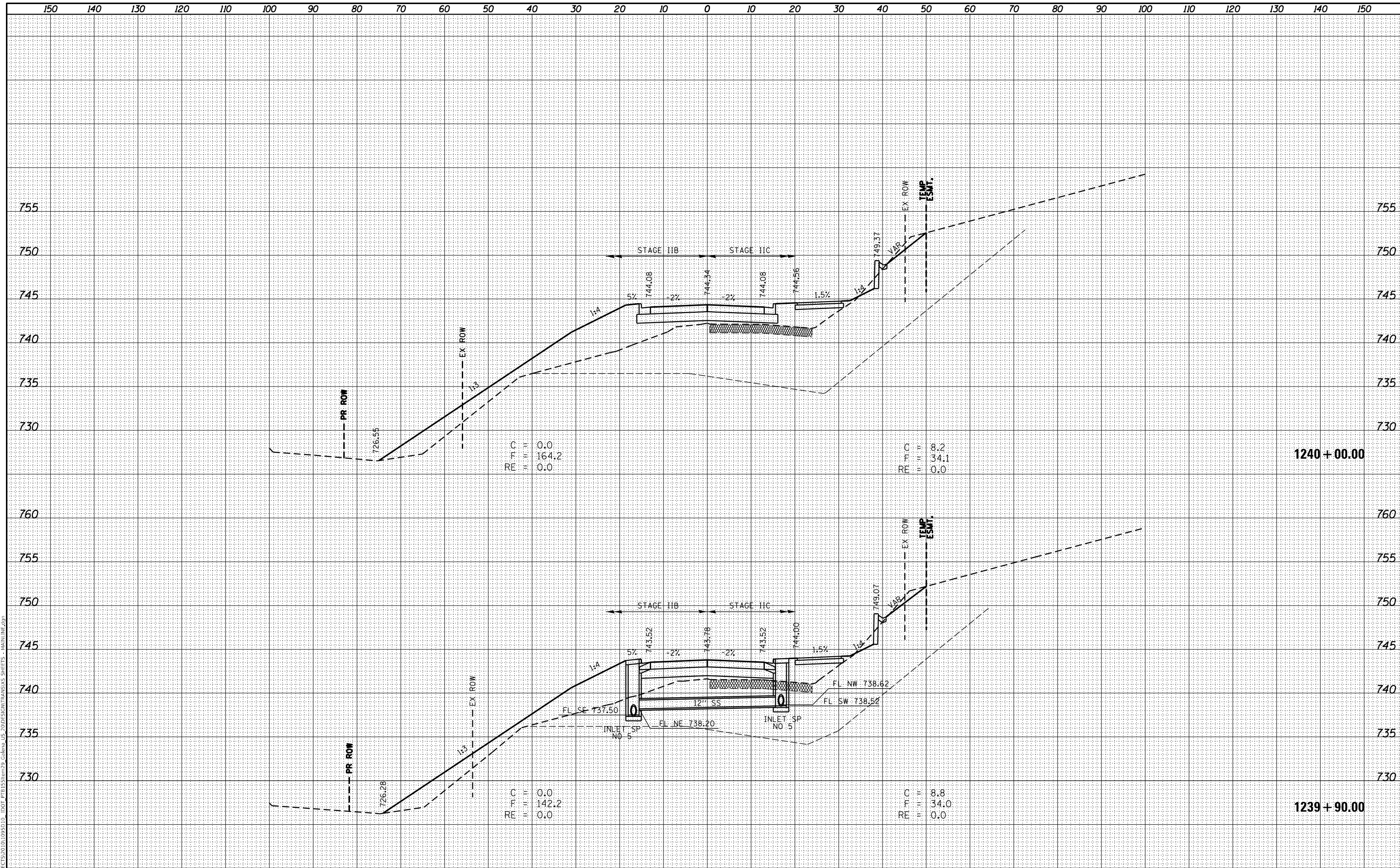
F.A.P. RTE.	SECTION	COUNTY	TOTAL SHEETS	SHEET NO.
301	29R-1	JO DAVIESS	679	588
			CONTRACT NO. 64880	

ILLINOIS FED. AID PROJECT

DATE	
BY	
SURVEYED	
PLOTTED	
TEMPLATE	
NOTE BOOK	
AREAS	
CHECKED	
NO.	

DATE	
BY	
SURVEYED	
PLOTTED	
TEMPLATE	
NOTE BOOK	
AREAS	
CHECKED	
NO.	

MODEL: Definit
 FILE NAME: S:\PROJECTS\2010\095510 - IDOT PFB E-Stream\9 - Galena US 20\DESIGN\TRANSXIS SHEETS - MAIN\167.dwg



C = 0.0
 F = 164.2
 RE = 0.0

C = 8.2
 F = 34.1
 RE = 0.0

C = 0.0
 F = 142.2
 RE = 0.0

C = 8.8
 F = 34.0
 RE = 0.0



USER NAME = mslick	DESIGNED - AMF	REVISED -
	DRAWN - TJA	REVISED -
PLOT SCALE = 240,0000' / ft.	CHECKED - GFS	REVISED -
PLOT DATE = 10/15/2021	DATE - 5/22/20	REVISED -

**STATE OF ILLINOIS
 DEPARTMENT OF TRANSPORTATION**

**IL RTE 84 / US 20
 CROSS SECTIONS**

SCALE: N / A SHEET 167 OF 199 SHEETS STA. 1239+90.00 TO STA. 1240+00.00

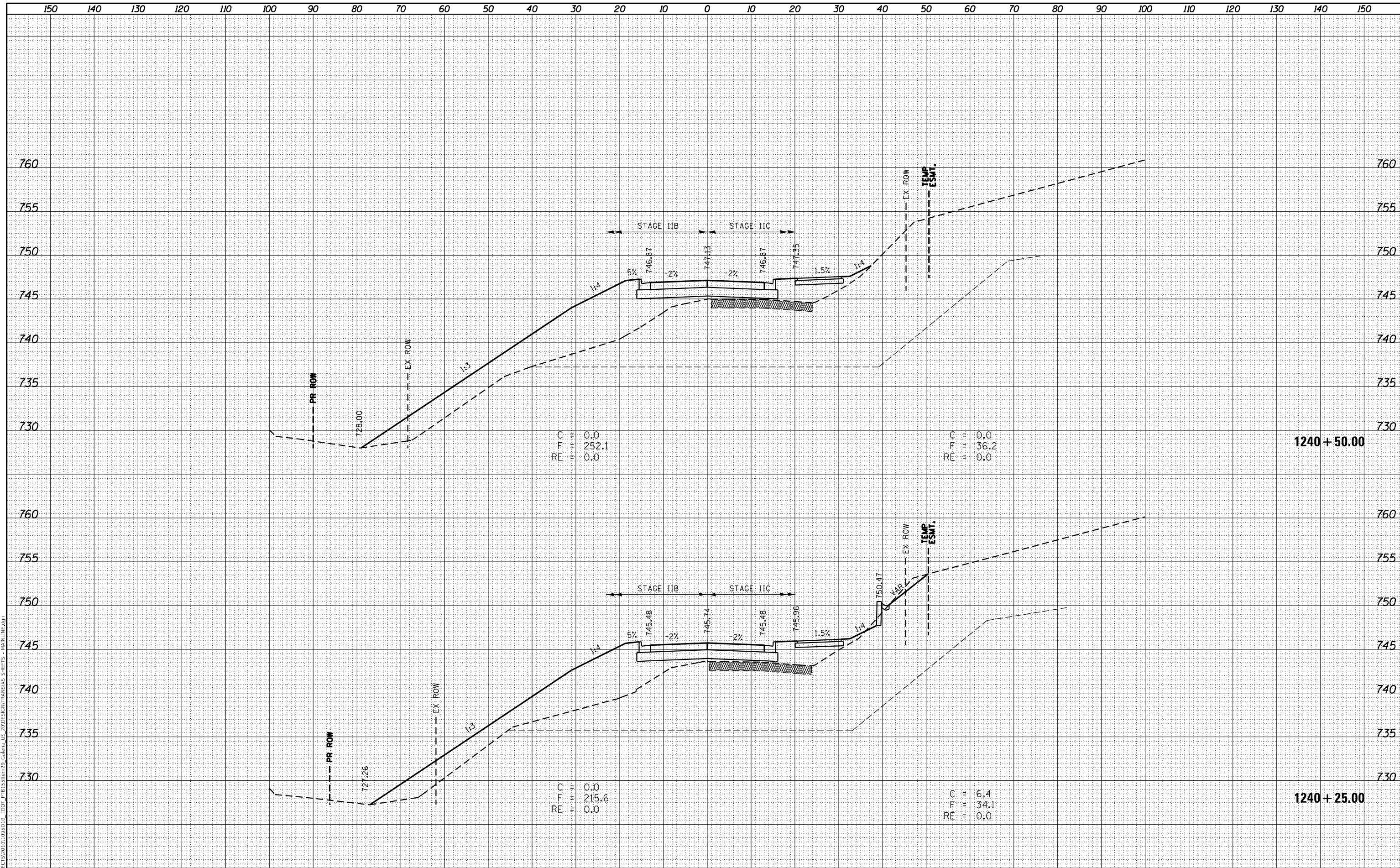
F.A.P. RTE.	SECTION	COUNTY	TOTAL SHEETS	SHEET NO.
301	29R-1	JO DAVIESS	679	589
			CONTRACT NO. 64880	

ILLINOIS FED. AID PROJECT

DATE	
BY	
SURVEYED	
PLOTTED	
TEMPLATE	
AREAS	
CHECKED	
NO.	

DATE	
BY	
SURVEYED	
PLOTTED	
TEMPLATE	
AREAS	
CHECKED	
NO.	

MODEL: Definit
 FILE NAME: S:\PROJECTS\2010\095510 - IDOT PFB E-Stream\9 - Galena US 20\DESIGN\TRANSXS SHEETS - MAIN\16.dwg



USER NAME = mslick	DESIGNED - AMF	REVISED -
	DRAWN - TJA	REVISED -
PLOT SCALE = 240,0000' / ft.	CHECKED - GFS	REVISED -
PLOT DATE = 10/15/2021	DATE - 5/22/20	REVISED -

**STATE OF ILLINOIS
DEPARTMENT OF TRANSPORTATION**

**IL RTE 84 / US 20
CROSS SECTIONS**

SCALE: N / A SHEET 168 OF 199 SHEETS STA. 1240+25.00 TO STA. 1240+50.00

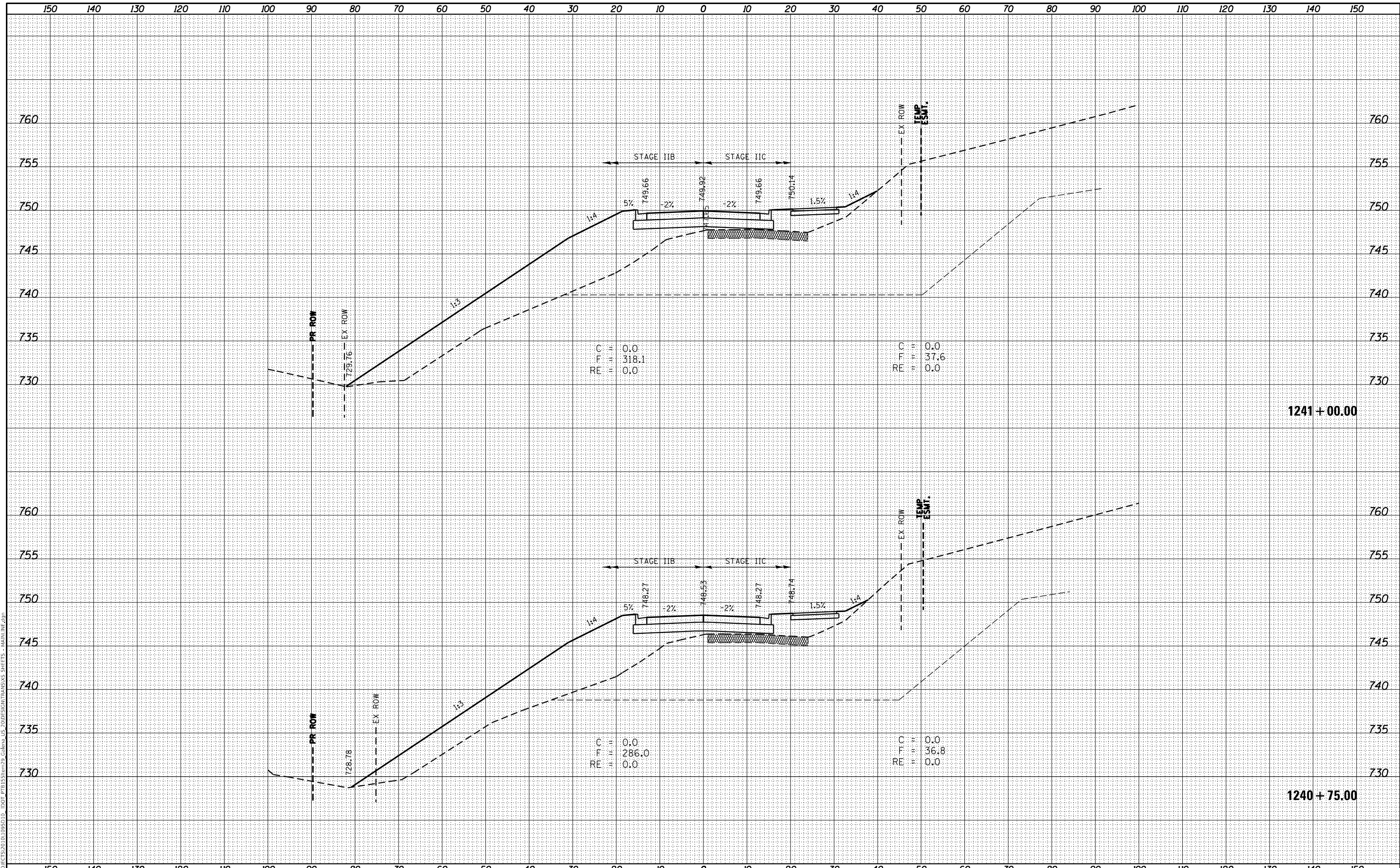
F.A.P. RTE.	SECTION	COUNTY	TOTAL SHEETS	SHEET NO.
301	29R-1	JO DAVIESS	679	590
				CONTRACT NO. 64880

ILLINOIS FED. AID PROJECT

DATE	
BY	
SURVEYED	
PLOTTED	
TEMPLATE	
NOTE BOOK	
AREAS CHECKED	
NO.	

DATE	
BY	
SURVEYED	
PLOTTED	
TEMPLATE	
NOTE BOOK	
AREAS CHECKED	
NO.	

MODEL: Definit
 FILE NAME: S:\PROJECTS\2010\095510 - IDOT P1B15\299 Galena US 20\DESIGN\TRANSXS SHEETS - MAIN\16.dwg



USER NAME = mslick	DESIGNED - AMF	REVISD -
	DRAWN - TJA	REVISD -
PLOT SCALE = 240,0000' / ft.	CHECKED - GFS	REVISD -
PLOT DATE = 10/15/2021	DATE - 5/22/20	REVISD -

STATE OF ILLINOIS
 DEPARTMENT OF TRANSPORTATION

IL RTE 84 / US 20
 CROSS SECTIONS

SCALE: N / A SHEET 169 OF 199 SHEETS STA. 1240+75.00 TO STA. 1241+00.00

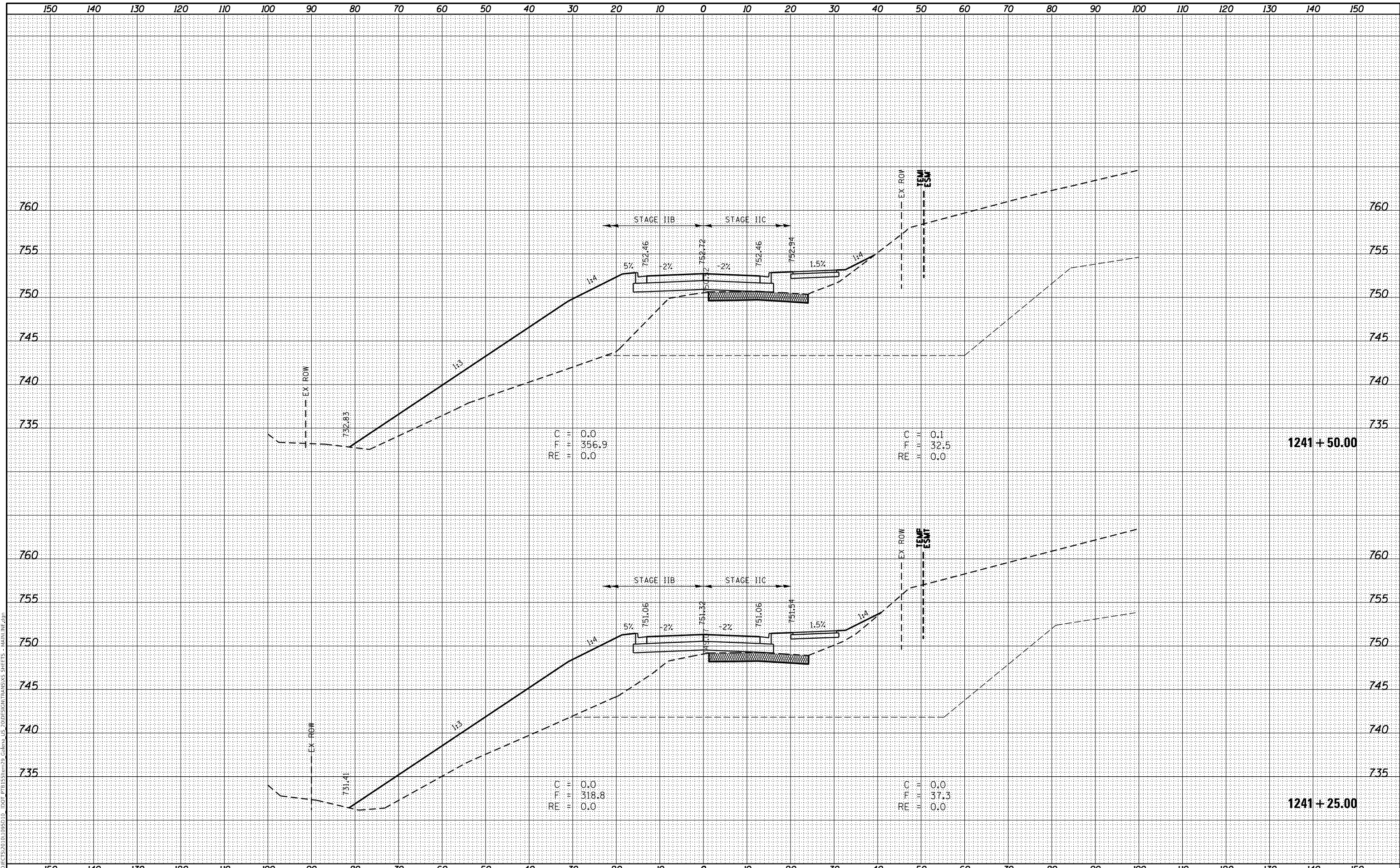
F.A.P. RTE.	SECTION	COUNTY	TOTAL SHEETS	SHEET NO.
301	29R-1	JO DAVIESS	679	591
				CONTRACT NO. 64880

ILLINOIS FED. AID PROJECT

DATE	
BY	
SURVEYED	
PLOTTED	
TEMPLATE	
AREAS	
CHECKED	
NO.	
FINAL SURVEY	
NOTE BOOK	
AREAS CHECKED	
NO.	

DATE	
BY	
SURVEYED	
PLOTTED	
TEMPLATE	
AREAS	
CHECKED	
NO.	
ORIGINAL SURVEY	
NOTE BOOK	
AREAS CHECKED	
NO.	

MODEL: Definit
 FILE NAME: S:\PROJECTS\2010\095510 - IDOT PFB\ESTIM99_Gallena_US-20\DESIGN\TRANSXS SHEETS - MAIN\16.dwg



USER NAME = mslick	DESIGNED - AMF	REVISED -
	DRAWN - TJA	REVISED -
PLOT SCALE = 240,0000' / ft.	CHECKED - GFS	REVISED -
PLOT DATE = 10/15/2021	DATE - 5/22/20	REVISED -

**STATE OF ILLINOIS
DEPARTMENT OF TRANSPORTATION**

**IL RTE 84 / US 20
CROSS SECTIONS**

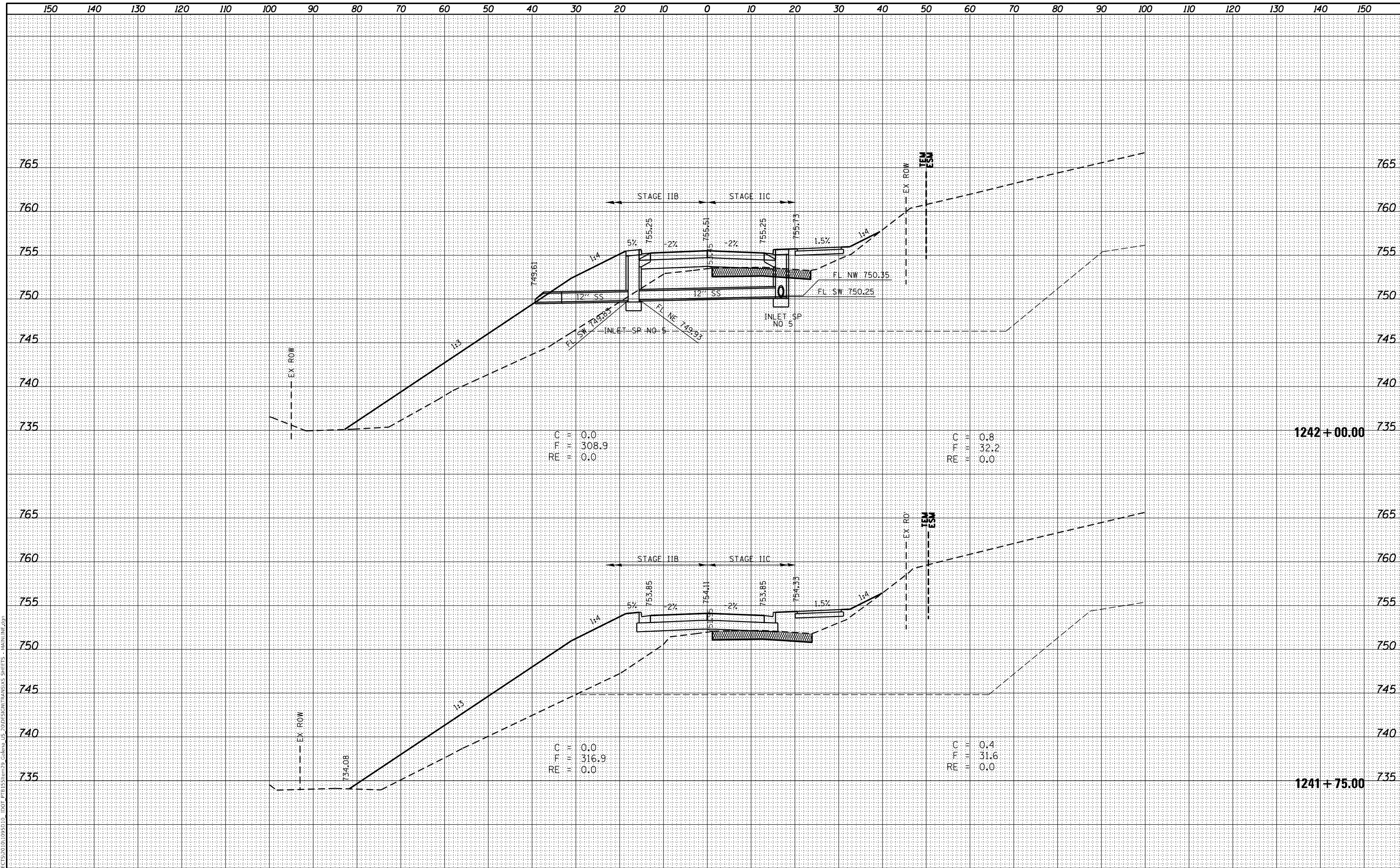
SCALE: N / A SHEET 170 OF 199 SHEETS STA. 1241+25.00 TO STA. 1241+50.00

F.A.P. RTE.	SECTION	COUNTY	TOTAL SHEETS	SHEET NO.
301	29R-1	JO DAVIESS	679	592
				CONTRACT NO. 64880
ILLINOIS FED. AID PROJECT				

DATE	
BY	
SURVEYED	
PLOTTED	
TEMPLATE	
NOTE BOOK	
AREAS CHECKED	
NO.	

DATE	
BY	
SURVEYED	
PLOTTED	
TEMPLATE	
NOTE BOOK	
AREAS CHECKED	
NO.	

MODEL: Definit
 FILE NAME: S:\PROJECTS\2010\095510 - IDOT P1B15\29-Galena US 20\DESIGN\TRANSXS SHEETS - MAIN\1F.dwg



RE
F.T.C
U.I.W
0.0
308.9
0.0

RE
F.T.C
U.I.W
0.8
32.2
0.0

1242 + 00.00

RE
F.T.C
U.I.W
0.0
316.9
0.0

RE
F.T.C
U.I.W
0.4
31.6
0.0

1241 + 75.00



USER NAME = mslick	DESIGNED - AMF	REVISD -
	DRAWN - TJA	REVISD -
PLOT SCALE = 240,0000' / ft.	CHECKED - GFS	REVISD -
PLOT DATE = 10/15/2021	DATE - 5/22/20	REVISD -

STATE OF ILLINOIS
 DEPARTMENT OF TRANSPORTATION

IL RTE 84 / US 20
 CROSS SECTIONS

SCALE: N / A SHEET 171 OF 199 SHEETS STA. 1241+75.00 TO STA. 1242+00.00

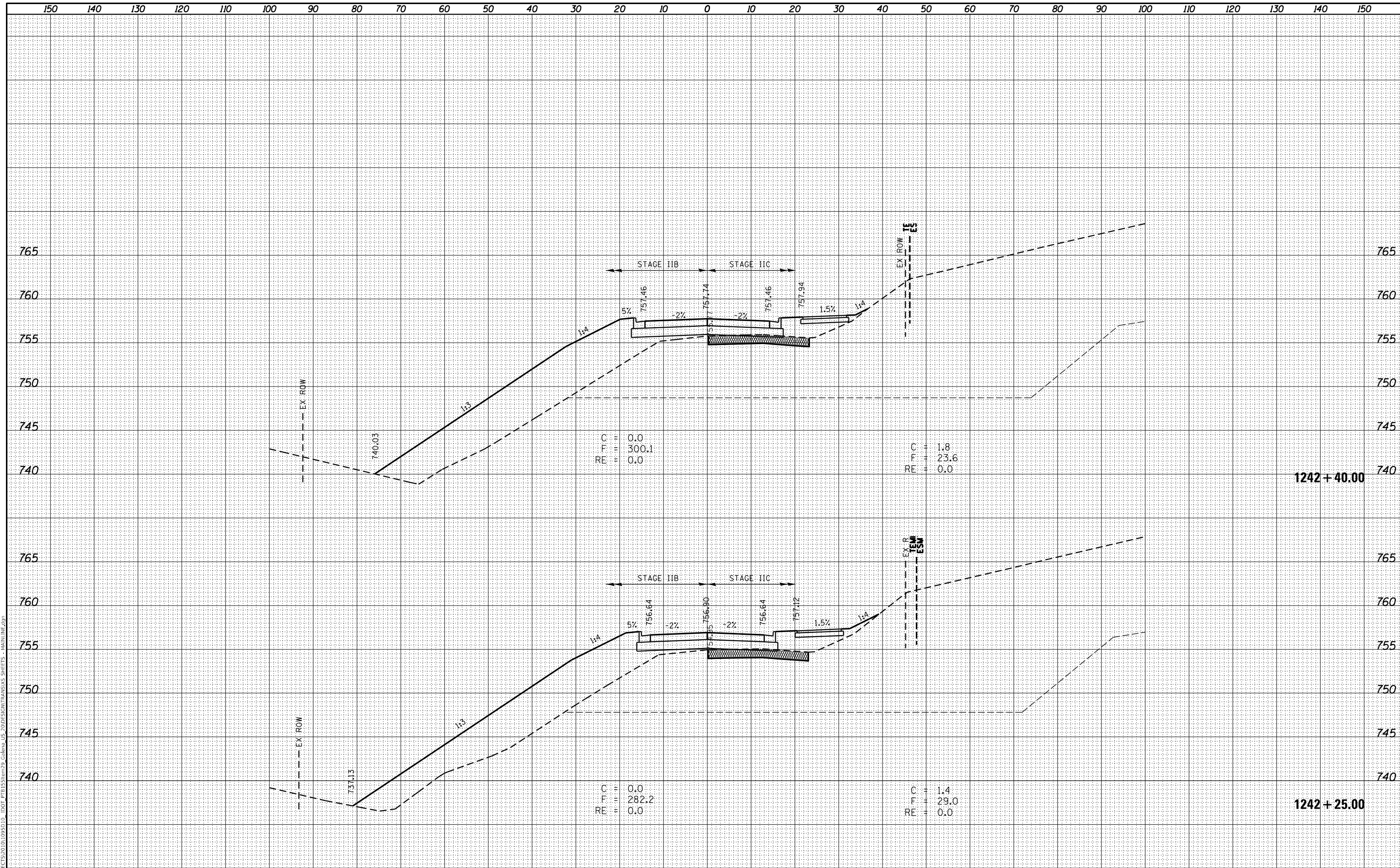
F.A.P. RTE.	SECTION	COUNTY	TOTAL SHEETS	SHEET NO.
301	29R-1	JO DAVIESS	679	593
				CONTRACT NO. 64880

ILLINOIS FED. AID PROJECT

FINAL SURVEY	SURVEYED	DATE
NOTE BOOK	PLOTTED	
NO.	TEMPLATE	
	AREAS CHECKED	
	AREAS CHECKED	

ORIGINAL SURVEY	SURVEYED	DATE
NOTE BOOK	PLOTTED	
NO.	TEMPLATE	
	AREAS CHECKED	
	AREAS CHECKED	

MODEL: Definit
 FILE NAME: S:\PROJECTS\2010\095510 - IDOT PFB\ESTIM\29_Galena_US-20\DESIGN\TRANS\XSS SHEETS - MAIN\1F.dgn



USER NAME = mslick	DESIGNED - AMF	REVISD -
	DRAWN - TJA	REVISD -
PLOT SCALE = 240,0000' / ft.	CHECKED - GFS	REVISD -
PLOT DATE = 10/15/2021	DATE - 5/22/20	REVISD -

STATE OF ILLINOIS
 DEPARTMENT OF TRANSPORTATION

IL RTE 84 / US 20
 CROSS SECTIONS

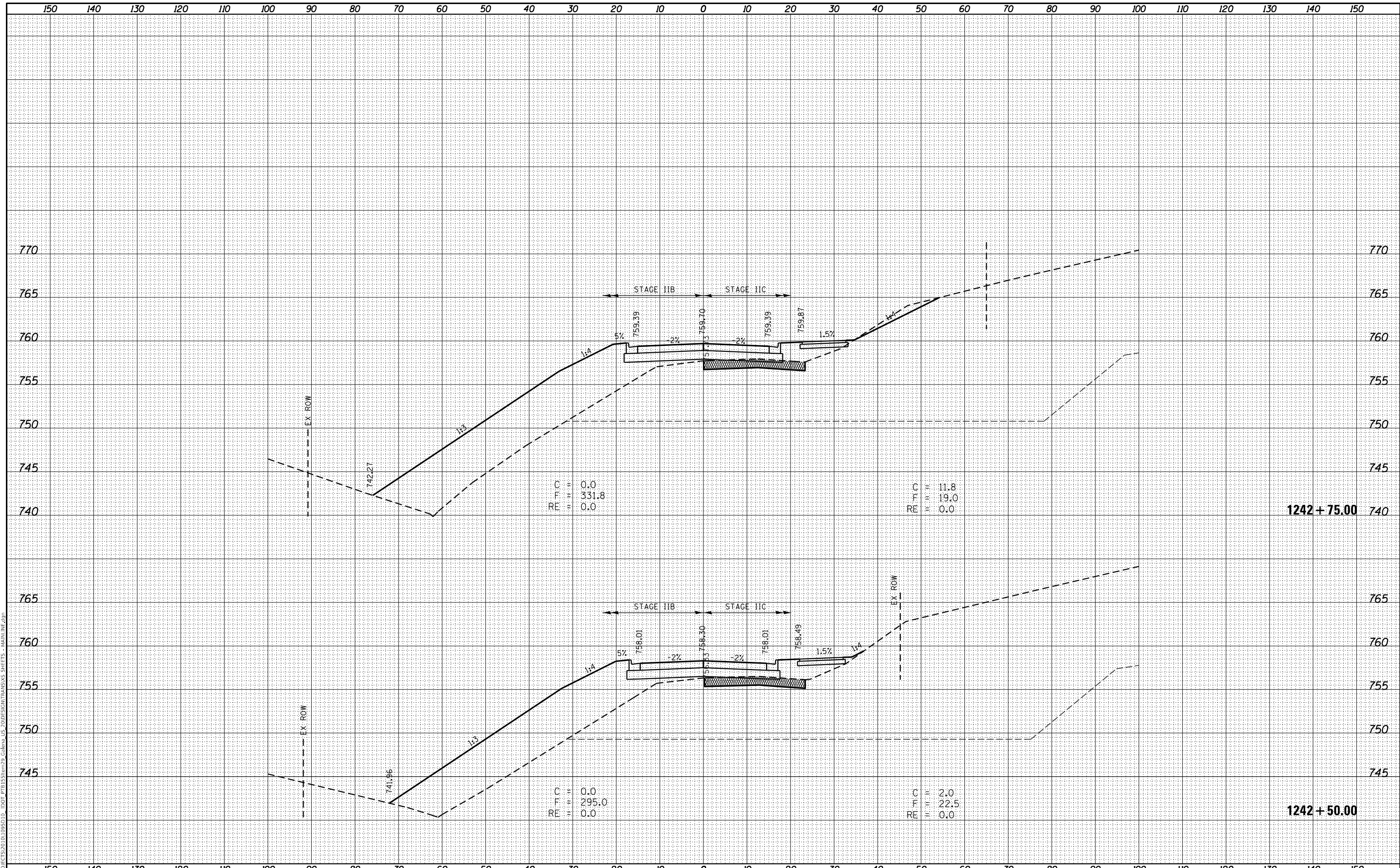
SCALE: N / A SHEET 172 OF 199 SHEETS STA. 1242+25.00 TO STA. 1242+40.00

F.A.P. RTE.	SECTION	COUNTY	TOTAL SHEETS	SHEET NO.
301	29R-1	JO DAVIESS	679	594
			CONTRACT NO. 64880	
ILLINOIS FED. AID PROJECT				

DATE	
BY	
SURVEYED	
PLOTTED	
TEMPLATE	
NOTE BOOK	
AREAS CHECKED	
NO.	

DATE	
BY	
SURVEYED	
PLOTTED	
TEMPLATE	
NOTE BOOK	
AREAS CHECKED	
NO.	

MODEL: Definit
 FILE NAME: S:\PROJECTS\2010\095510 - IDOT PFB\ESTIM\29 Galena US 20\DESIGN\TRANSXVS SHEETS - MAIN\1F.dwg



WILLET HOFMANN ASSOCIATES INC.
 ENGINEERING ARCHITECTURE LAND SURVEYING
 809 EAST 2ND STREET, DEKalb, IL 61021-0387
 T: 815-284-1330 F: 815-284-1336

USER NAME = mslick	DESIGNED - AMF	REVISIED -
	DRAWN - TJA	REVISIED -
PLOT SCALE = 240,0000' / ft.	CHECKED - GFS	REVISIED -
PLOT DATE = 10/15/2021	DATE - 5/22/20	REVISIED -

**STATE OF ILLINOIS
 DEPARTMENT OF TRANSPORTATION**

**IL RTE 84 / US 20
 CROSS SECTIONS**

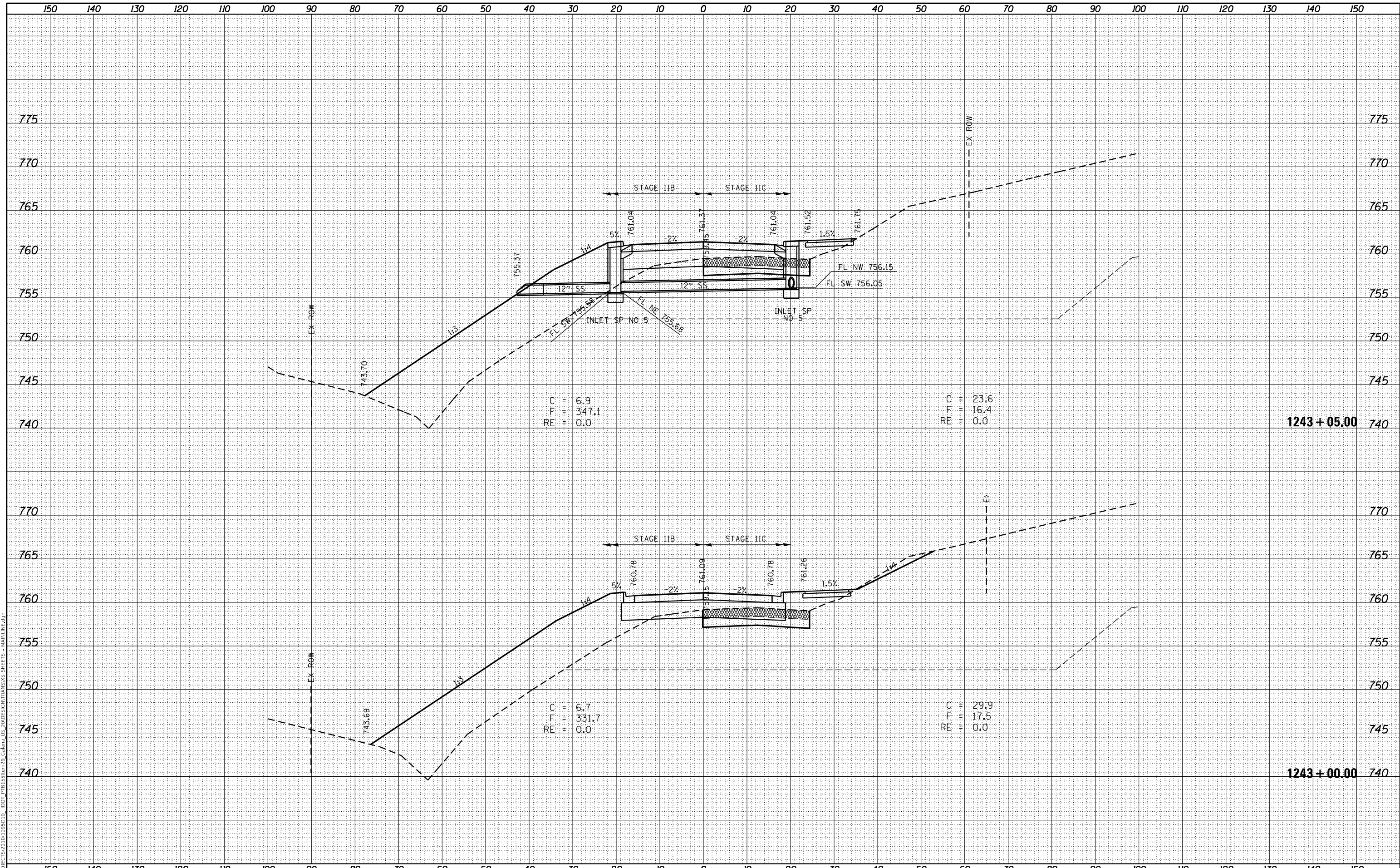
SCALE: N / A SHEET 173 OF 199 SHEETS STA. 1242+50.00 TO STA. 1242+75.00

F.A.P. RTE.	SECTION	COUNTY	TOTAL SHEETS	SHEET NO.
301	29R-1	JO DAVIESS	679	595
				CONTRACT NO. 64880
ILLINOIS FED. AID PROJECT				

DATE	
BY	
SURVEYED	
PLOTTED	
TEMPLATE	
NOTE BOOK	
AREAS CHECKED	
NO.	

DATE	
BY	
SURVEYED	
PLOTTED	
TEMPLATE	
NOTE BOOK	
AREAS CHECKED	
NO.	

MODEL: Definit
 FILE NAME: S:\PROJECTS\2010\095510 - IDOT PFB\ESTIM\29_Galena_US-20\FINAL\CROSS SECTIONS - MAIN\INF.dwg



USER NAME	= mslick
DESIGNED	- AMF
DRAWN	- TJA
CHECKED	- GFS
DATE	- 5/22/20
REVISIONS	
REVISIONS	
REVISIONS	
REVISIONS	

**STATE OF ILLINOIS
DEPARTMENT OF TRANSPORTATION**

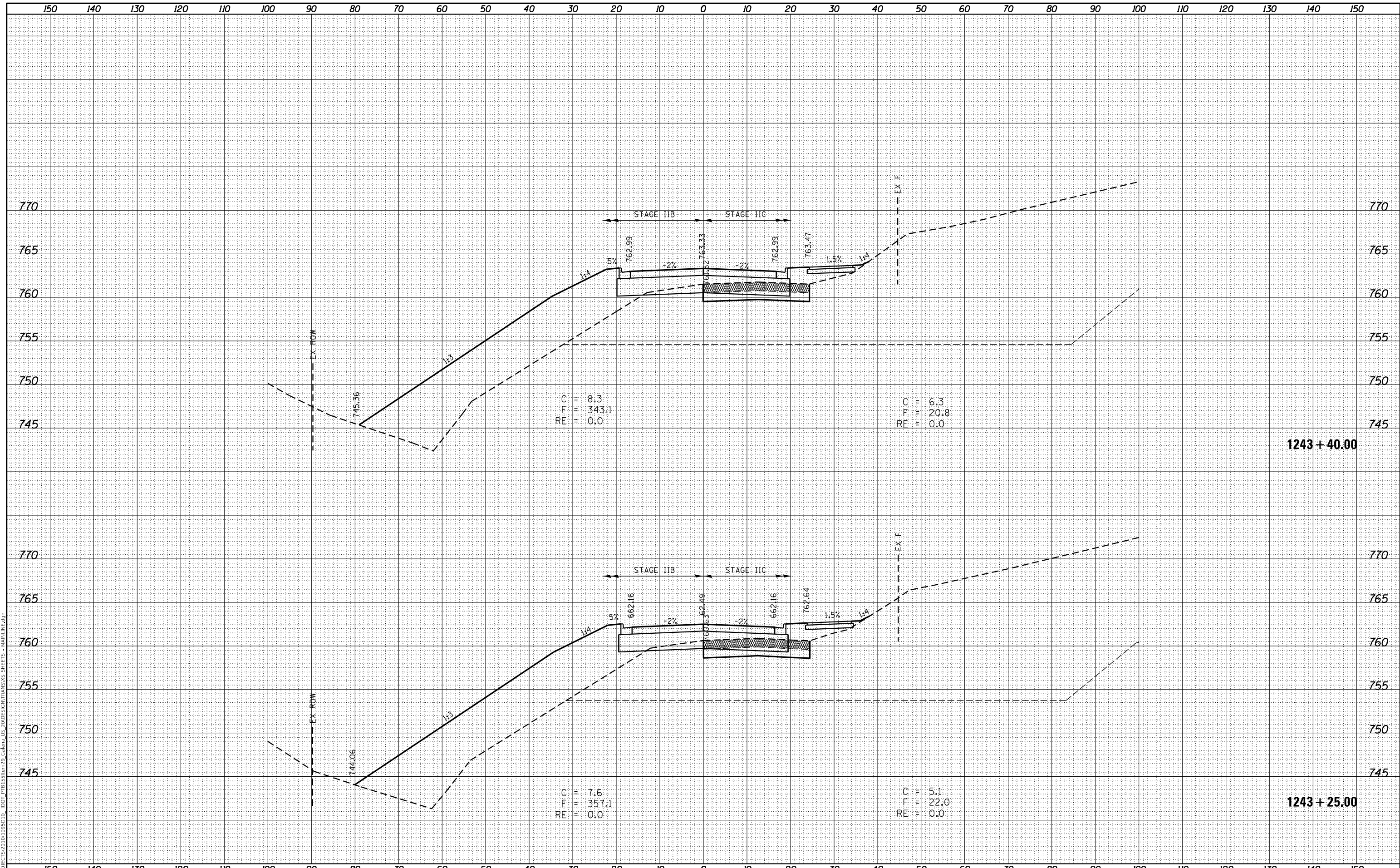
IL RTE 84 / US 20 CROSS SECTIONS	
SCALE: N / A	SHEET 174 OF 199 SHEETS
STA. 1243+00.00	TO STA. 1243+05.00

F.A.P. RTE.	SECTION	COUNTY	TOTAL SHEETS	SHEET NO.
301	29R-1	JO DAVIESS	679	596
				CONTRACT NO. 64880
ILLINOIS FED. AID PROJECT				

DATE	
BY	
SURVEYED	
PLOTTED	
TEMPLATE	
AREAS	
CHECKED	
FINAL SURVEY	
NOTE BOOK	
NO.	

DATE	
BY	
SURVEYED	
PLOTTED	
TEMPLATE	
AREAS	
CHECKED	
ORIGINAL SURVEY	
NOTE BOOK	
NO.	

MODEL: Default
 FILE NAME: S:\PROJECTS\2010\095510 - IDOT PFB\ESTIM99 Galena US 20\DESIGN\TRANSXIS SHEETS - MAIN\1F.dwg



USER NAME = mslick	DESIGNED - AMF	REVISD -
	DRAWN - TJA	REVISD -
PLOT SCALE = 240,0000' / ft.	CHECKED - GFS	REVISD -
PLOT DATE = 10/15/2021	DATE - 5/22/20	REVISD -

STATE OF ILLINOIS
 DEPARTMENT OF TRANSPORTATION

IL RTE 84 / US 20
 CROSS SECTIONS

SCALE: N / A SHEET 175 OF 199 SHEETS STA. 1243+25.00 TO STA. 1243+40.00

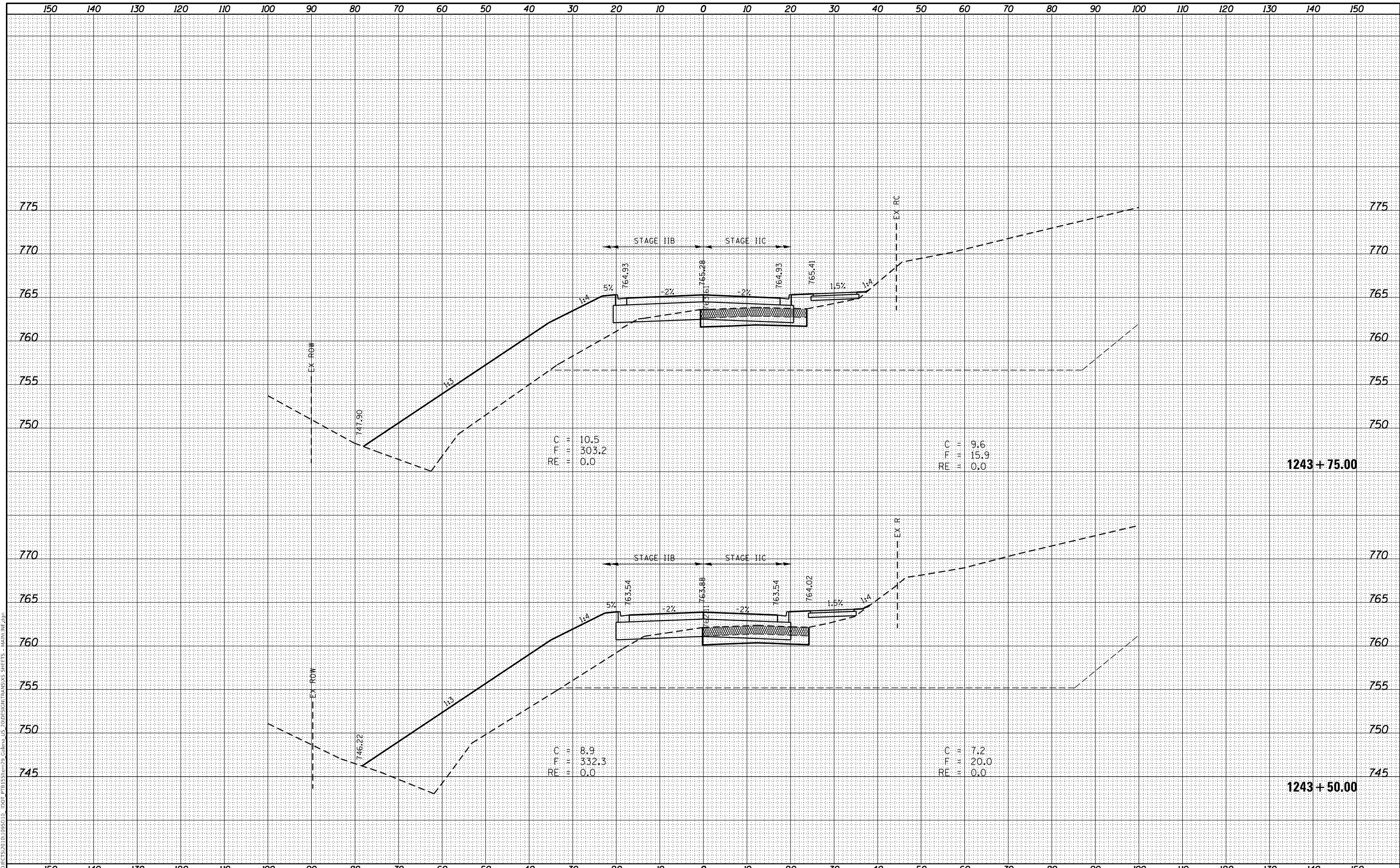
F.A.P. RTE.	SECTION	COUNTY	TOTAL SHEETS	SHEET NO.
301	29R-1	JO DAVIESS	679	597
			CONTRACT NO. 64880	

ILLINOIS FED. AID PROJECT

DATE	
BY	
SURVEYED	
PLOTTED	
TEMPLATE	
NOTE BOOK	
AREAS CHECKED	
NO.	

DATE	
BY	
SURVEYED	
PLOTTED	
TEMPLATE	
NOTE BOOK	
AREAS CHECKED	
NO.	

MODEL: Default
 FILE NAME: S:\PROJECTS\2010\095510 - IDOT P1B15\29-Galena US 20\DESIGN\TRANSXS SHEETS - MAIN\1F.dwg



USER NAME = mslick	DESIGNED - AMF	REVISED -
	DRAWN - TJA	REVISED -
PLOT SCALE = 240,0000' / ft.	CHECKED - GFS	REVISED -
PLOT DATE = 10/15/2021	DATE - 5/22/20	REVISED -

**STATE OF ILLINOIS
DEPARTMENT OF TRANSPORTATION**

**IL RTE 84 / US 20
CROSS SECTIONS**

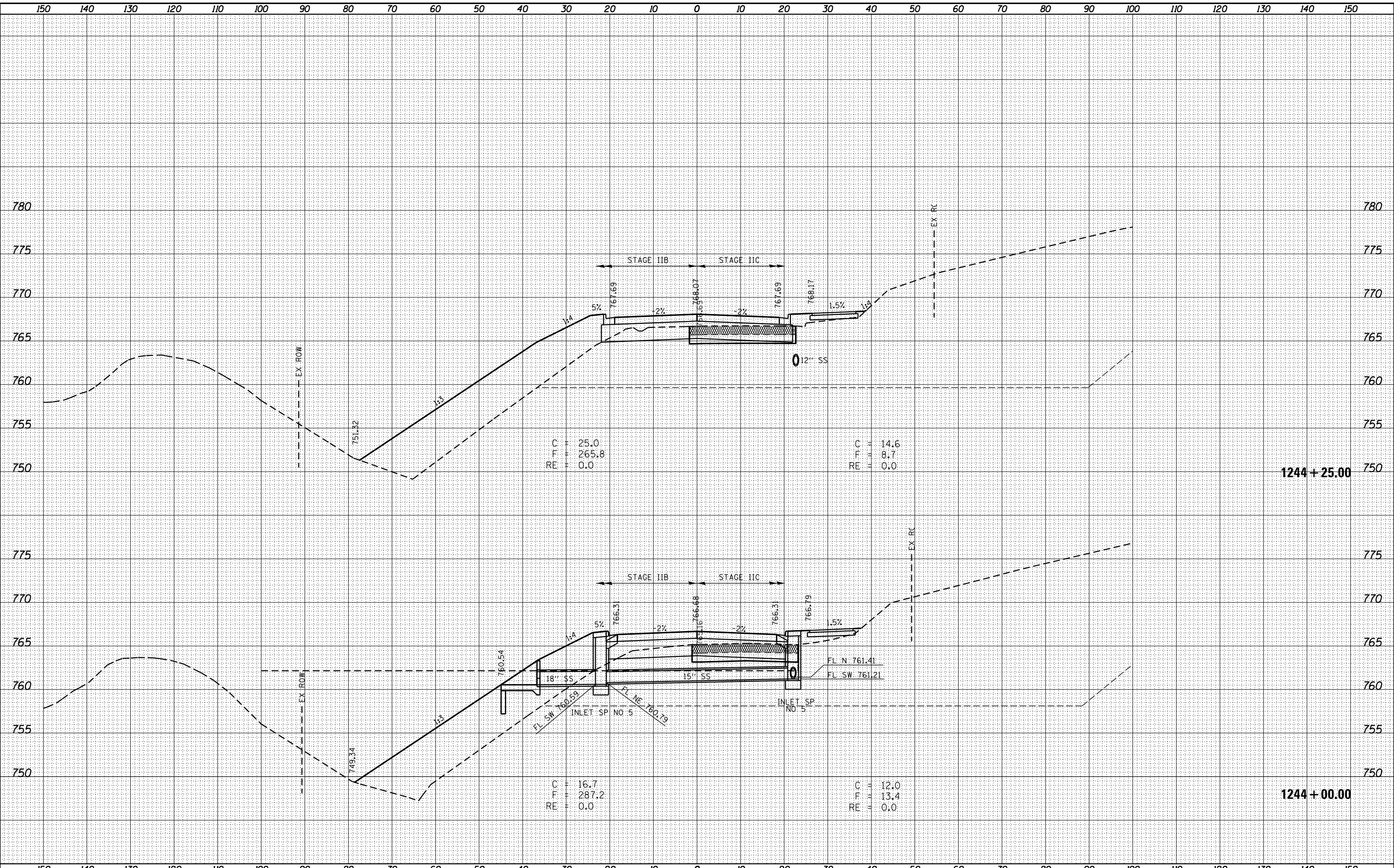
SCALE: N / A SHEET 176 OF 199 SHEETS STA. 1243+50.00 TO STA. 1243+75.00

F.A.P. RTE. 301	SECTION 29R-1	COUNTY JO DAVIESS	TOTAL SHEETS 679	SHEET NO. 598
			CONTRACT NO. 64880	
ILLINOIS FED. AID PROJECT				

FINAL SURVEY	SURVEYED	DATE
NOTE BOOK	PLOTTED	
NO.	TEMPLATE	
	AREAS	
	CHECKED	

ORIGINAL SURVEY	SURVEYED	DATE
NOTE BOOK	PLOTTED	
NO.	TEMPLATE	
	AREAS	
	CHECKED	

MODEL: Definit
 FILE NAME: S:\PROJECTS\2010\095510 - IDOT PFB\ESTIM99_Gallena_US-200\DESIGN\TRANSXVS SHEETS - MAIN\176.dwg



WILLET HOFMANN ASSOCIATES INC.
 ENGINEERING ARCHITECTURE LAND SURVEYING
 809 EAST 2ND STREET, DEKalb, IL 61021-0387
 TEL: 309-284-1330 FAX: 309-284-0998

USER NAME = mslick	DESIGNED - AMF	REVISED -
	DRAWN - TJA	REVISED -
PLOT SCALE = 240,0000' / ft.	CHECKED - GFS	REVISED -
PLOT DATE = 10/15/2021	DATE - 5/22/20	REVISED -

STATE OF ILLINOIS
DEPARTMENT OF TRANSPORTATION

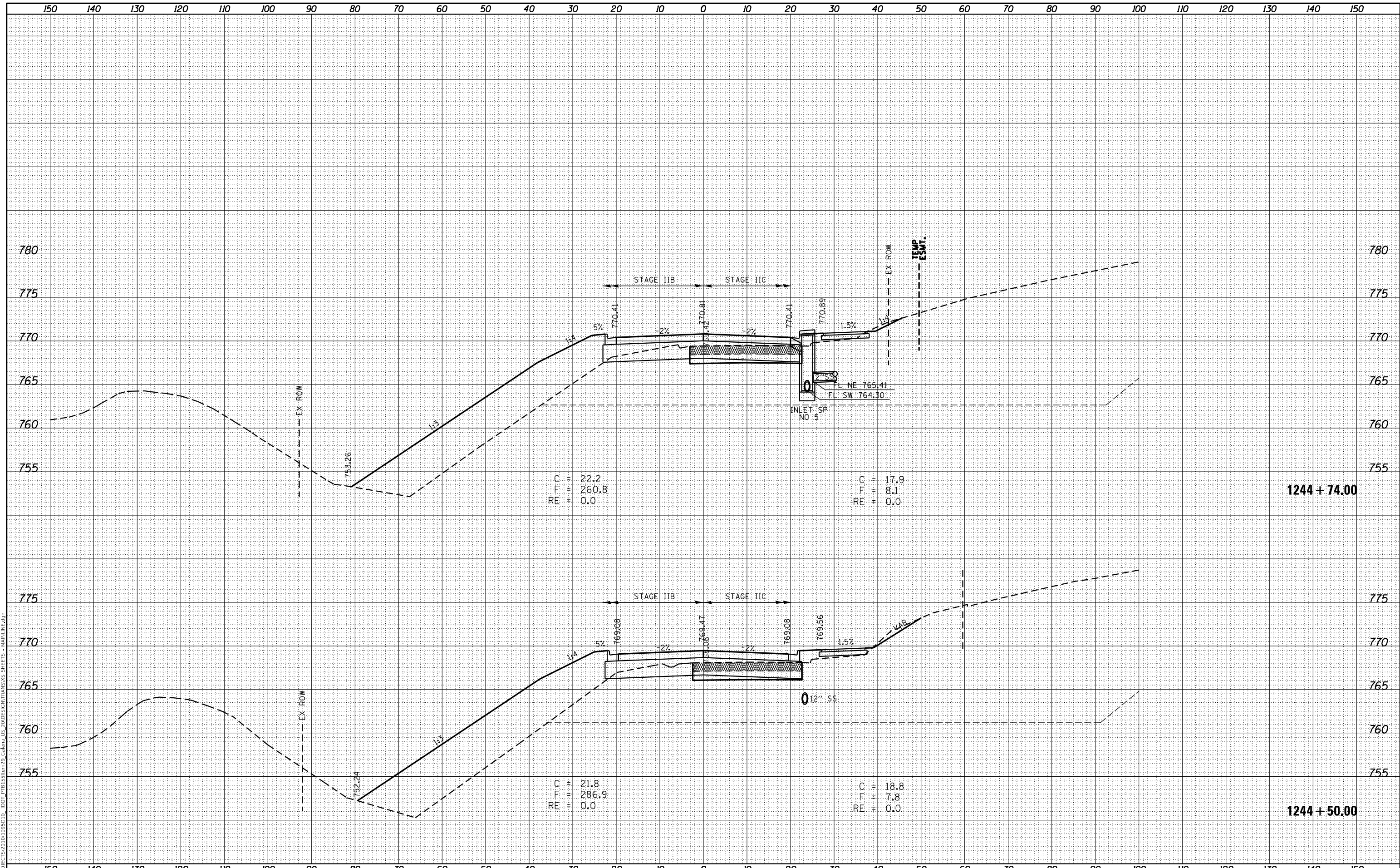
IL RTE 84 / US 20	
CROSS SECTIONS	
SCALE: N / A	SHEET 177 OF 199 SHEETS
STA. 1244+00.00	TO STA. 1244+25.00

F.A.P. RTE. 301	SECTION 29R-1	COUNTY JO DAVIENS	TOTAL SHEETS 679	SHEET NO. 599
			CONTRACT NO. 64880	
ILLINOIS FED. AID PROJECT				

DATE	
BY	
FINAL SURVEY	SURVEYED
NOTE BOOK	PLOTTED
NO.	TEMPLATE
	AREAS CHECKED
	AREAS CHECKED

DATE	
BY	
ORIGINAL SURVEY	SURVEYED
NOTE BOOK	PLOTTED
NO.	TEMPLATE
	AREAS CHECKED
	AREAS CHECKED

MODEL: Definit
 FILE NAME: S:\PROJECTS\2010\095510 - IDOT PFB\ESTIM99_Gallena US 200\DESIGN\TRANSXVS SHEETS - MAIN\1F.dgn



C = 22.2
 F = 260.8
 RE = 0.0

C = 17.9
 F = 8.1
 RE = 0.0

1244 + 74.00

C = 21.8
 F = 286.9
 RE = 0.0

C = 18.8
 F = 7.8
 RE = 0.0

1244 + 50.00



USER NAME = mslick	DESIGNED - AMF	REVISED -
	DRAWN - TJA	REVISED -
PLOT SCALE = 240,0000' / ft.	CHECKED - GFS	REVISED -
PLOT DATE = 10/15/2021	DATE - 5/22/20	REVISED -

STATE OF ILLINOIS
 DEPARTMENT OF TRANSPORTATION

IL RTE 84 / US 20
 CROSS SECTIONS

SCALE: N / A SHEET 178 OF 199 SHEETS STA. 1244+50.00 TO STA. 1244+74.00

F.A.P. RTE.	SECTION	COUNTY	TOTAL SHEETS	SHEET NO.
301	29R-1	JO DAVIESS	679	600
			CONTRACT NO. 64880	

ILLINOIS FED. AID PROJECT