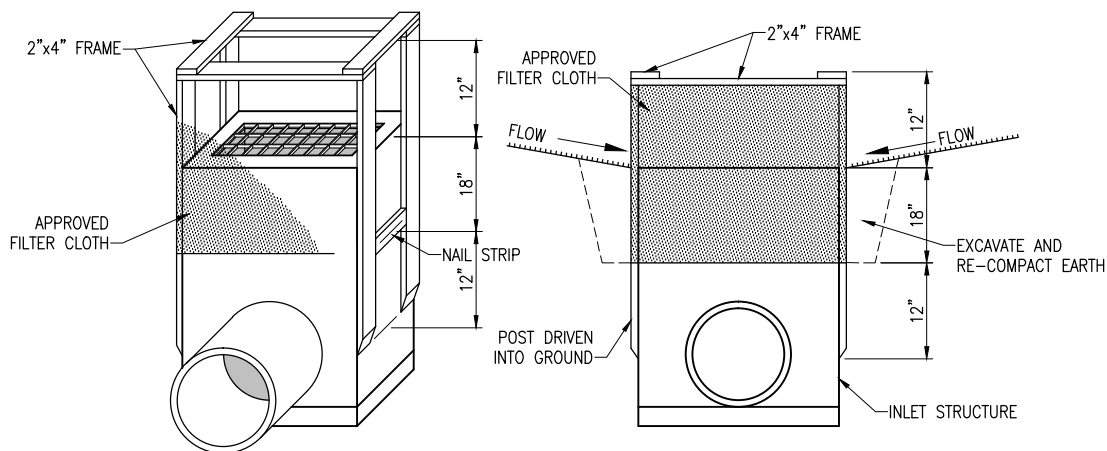


GRADING PLAN NOTES

- ALL REMOVED OR EXCAVATED MATERIALS SHALL BE DISPOSED OF OFFSITE, UNLESS OTHERWISE DIRECTED BY THE RESIDENT ENGINEER. THE AIRPORT HAS FIRST RIGHT OF REFUSAL FOR ALL MATERIALS.
- REMOVAL OF THE GRAVEL INSIDE THE GRADING LIMITS IS INCLUDED IN THE QUANTITY OF AND SHALL BE PAID FOR UNDER THE ITEM: AR152410 "UNCLASSIFIED EXCAVATION" - PER CUBIC YARD.
- THE GENERAL AREA NOTED AS CONTAINING DEBRIS WAS PART OF A FORMER T-HANGAR SITE. DEBRIS SHALL BE REMOVED AS ENCOUNTERED AS AN INCIDENTAL COST TO THE UNCLASSIFIED EXCAVATION PAY ITEM. CONTACT THE AIRPORT MANAGER TO INSPECT THE SITE PRIOR TO BIDDING.
- THE CONTRACTOR SHALL ENSURE THAT A MINIMUM THICKNESS OF 4" OF TOPSOIL MATERIAL IS PRESENT AT FINISHED GRADE IN ALL TURF AREAS. ANY UNDERCUTTING REQUIRED FOR TOPSOIL REPLACEMENT IS INCIDENTAL TO THE UNCLASSIFIED EXCAVATION PAY ITEM.
- THE CONTRACTOR SHALL INSTALL INLET PROTECTION AROUND ALL EXISTING AND PROPOSED INLETS WITHIN THE GRADING LIMITS PRIOR TO BEGINNING THE GRADING IN THOSE AREAS.
- INLET PROTECTION SHALL BE INSTALLED AS PER THE DETAIL ON THIS SHEET, OR AS PER THE IDOT APPROVED METHODS LISTED IN SECTION 41-3.02 OF THE BUREAU OF DESIGN AND ENVIRONMENT MANUAL.

7. EARTHWORK QUANTITIES

PROPOSED PAVEMENT AREA	575 C.Y. CUT	0 C.Y. FILL
PROPOSED TURF AREA	325 C.Y. CUT	20 C.Y. FILL
TOTAL UNCLASSIFIED EXCAV.	900 C.Y. CUT	20 C.Y. FILL

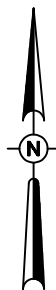


INLET PROTECTION DETAIL

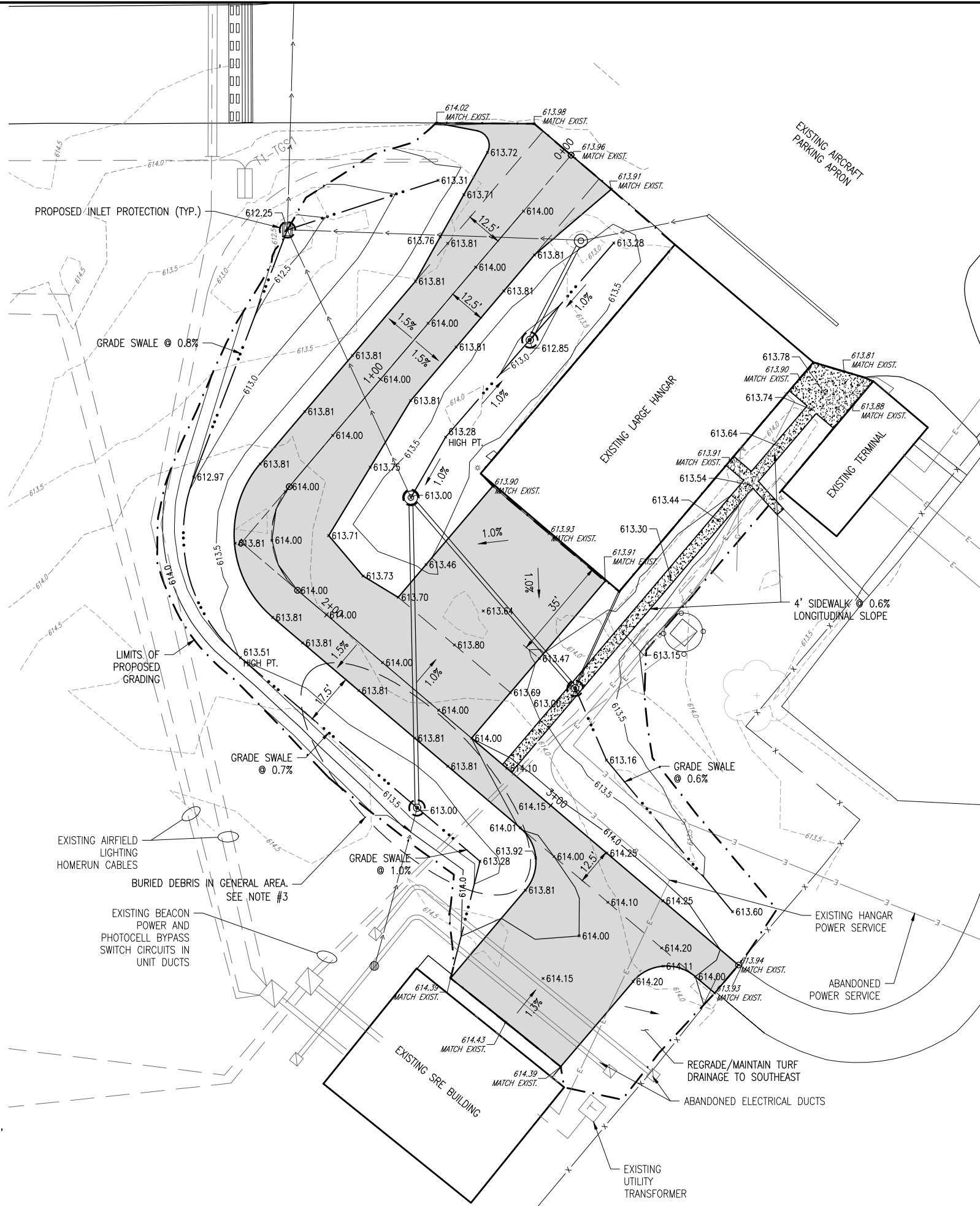
NOT TO SCALE

LEGEND

- | | | | |
|--|------------------------------|--|-----------------------------------|
| | EXISTING IMPROVEMENTS | | GRADING LIMITS |
| | PROPOSED BITUMINOUS PAVEMENT | | PROPOSED CONTOUR LINE |
| | PROPOSED STORM SEWER | | EXISTING CONTOUR LINE |
| | PROPOSED STORM STRUCTURE | | INLET PROTECTION |
| | EXISTING BUILDINGS | | EXISTING AIRFIELD ELECTRIC CABLES |
| | EXISTING INLET | | EXISTING ELECTRICAL POWER CABLES |
| | EXISTING MANHOLE | | EXISTING GAS |
| | EXISTING STORM SEWER | | EXISTING WATER |
| | EXISTING FLUME DRAIN | | EXISTING TELEPHONE |
| | PROPOSED DITCH LINE | | EXISTING FENCE |



0' 10' 20' 40'
HALF SIZE SCALE: 1" = 40'
FULL SIZE SCALE: 1" = 20'



CONSTRUCT ACCESS
TO SNOW REMOVAL
EQUIPMENT STORAGE
BUILDING

IDA No: 2H0-4341
SBG No: 3-17-SBGP-XX

CONTRACT No: SE005

NO.	DATE	DESCRIPTION		
		DES	DWN	REV
ISSUE: DECEMBER 4, 2014				
PROJECT NO: 13A0082				
CAD FILE: C-131-GRD.DWG				
DESIGN BY: KBS 11/14/2014				
DRAWN BY: MLH 11/14/2014				
REVIEWED BY: RAW 12/04/2014				

SHEET TITLE

GRADING PLAN