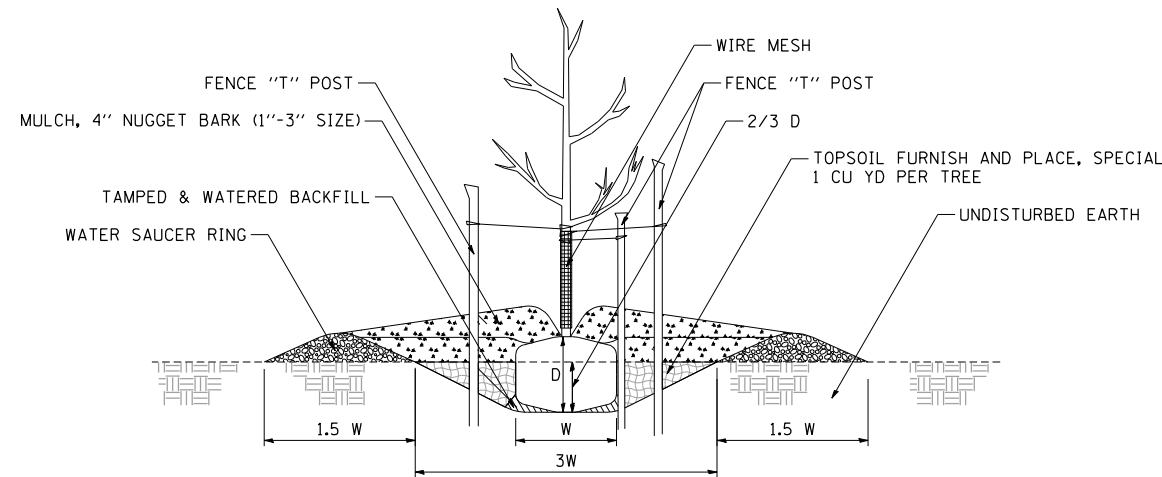
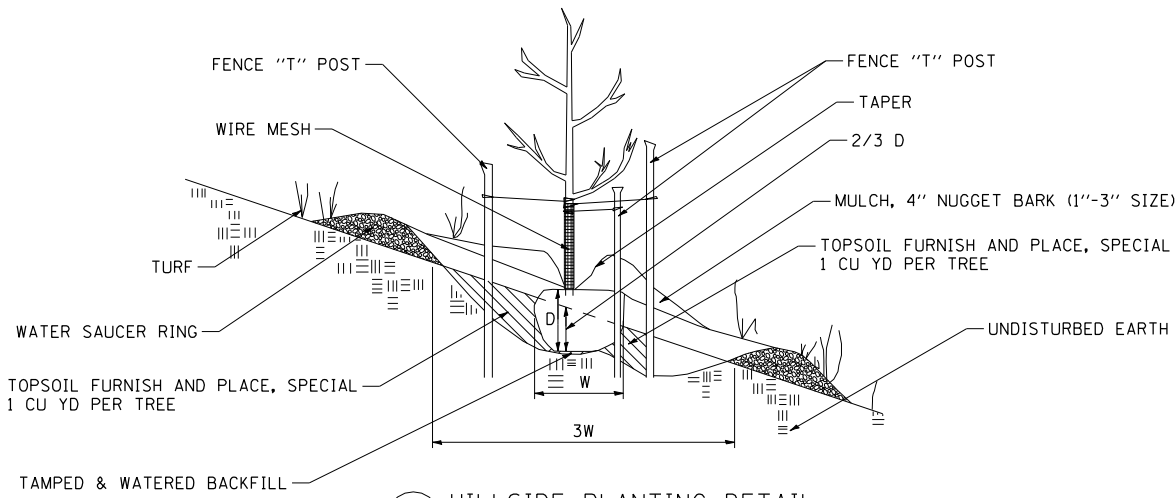


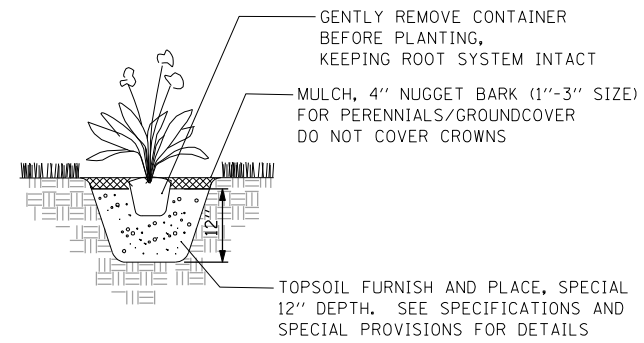
1 PARKWAY PLANTING DETAIL
NOT TO SCALE



2 FLAT GROUND PLANTING DETAIL
NOT TO SCALE

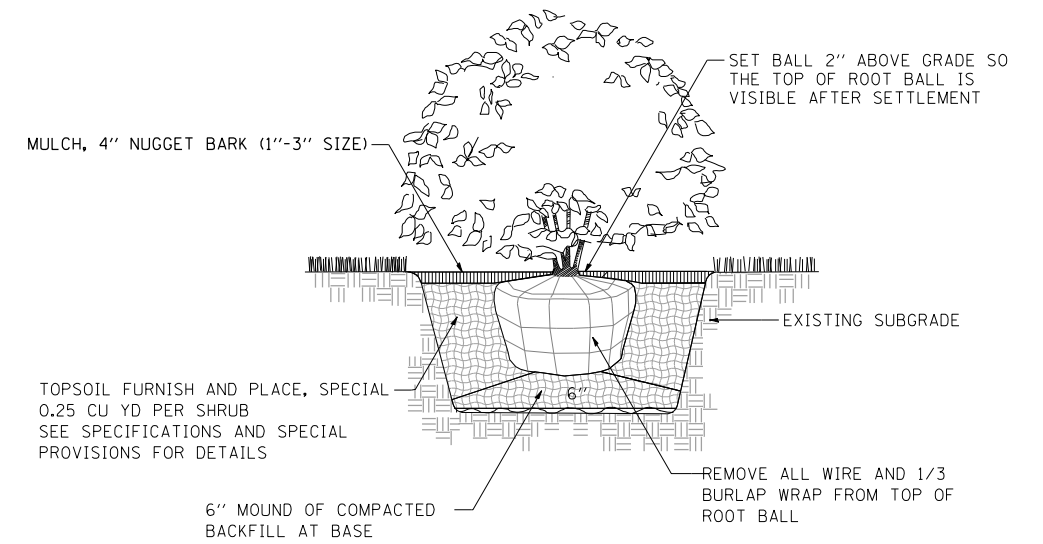


3 HILLSIDE PLANTING DETAIL
NOT TO SCALE



4 PERENNIAL/GROUNDCOVER PLANTING DETAIL
NOT TO SCALE

NOTE: PLANTING RELATIONSHIPS VARY
SEE LANDSCAPE PLAN FOR DETAILS



5 SHRUB PLANTING DETAIL
NOT TO SCALE

NOTE: PRUNING SHALL NOT CHANGE THE HABIT OF THE TREE. ALL CUTS SHALL BE MADE JUST OUTSIDE THE BRANCH BARK RIDGE AND COLLAR, ANGLING AWAY FROM THE STEM. PRUNING SHALL BE LIMITED TO THE REMOVAL OF COMPETING LEADERS, OR DEAD, RUBBING, BROKEN OR DAMAGED BRANCHES AND ONLY AT THE DIRECTION OF THE R.E.

TREE PLANTING TABLE

TREE SIZE CALIPER	SHRUB TREE HEIGHT	EVERGREEN HEIGHT	MIN DIAMETER BALL W	MIN DEPTH BALL D	HOLE DEPTH 2/3 D	HOLE WIDTH 3 W
1/4 IN	2 FT	1.5 FT	10 IN	10 IN	7 IN	30 IN
1/2	3	2	12	12	8	36
3/4	4	3	14	14	9	42
1	5	4	16	16	11	48
1 1/4	6	4 1/2	18	18	12	54
1 1/2	7	5	20	20	13	60
1 3/4	8	6	22	22	15	66
2	9	7	24	24	16	72
2 1/2	10	8	28	28	19	84
3	11	9	32	32	21	96

\\FS-0044\AM\VAULT.D-TRANS.07.12202\20868-001\CIVIL\CAO\99 ALL CONTRACTS\TRI\SHEETS CONTRACT 76F36\08TRI-36-SHT-LANDSCAP9-2.DGN
 BONDHUJO

FILE NAME =	USER NAME = #USER*	DESIGNED - JM	REVISED -
#FILEL#		DRAWN - JB	REVISED -
	PLOT SCALE = #SCALE*	CHECKED - ACL	REVISED -
	PLOT DATE = #DATE*	DATE - 08/03/12	REVISED -

STATE OF ILLINOIS
DEPARTMENT OF TRANSPORTATION

PROPOSED LANDSCAPING PLANS - PLANTING DETAILS

SCALE: N/A SHEET NO. 7 OF 7 SHEETS STA. TO STA.

F.A.U. RTE.	SECTION	COUNTY	TOTAL SHEETS	SHEET NO.
9166	82-1-12LS-2	ST. CLAIR	29	15
CONTRACT NO. 76F36				
FED. ROAD DIST. NO. ILLINOIS FED. AID PROJECT				



TENG & ASSOCIATES, INC.
ENGINEERS/ARCHITECTS/PLANNERS
CHICAGO, ILLINOIS