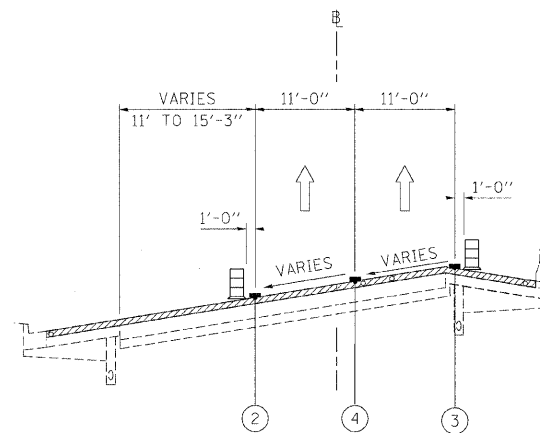


STA 480+16 TO STA 495+05(WB)

STA 479+52 TO STA 482+22 (EB)

- \* TEMPORARY CONCRETE BARRIER STA 480+16 TO STA 486+15
- \*\* TEMPORARY CONCRETE BARRIER STA 480+10 TO STA 482+15; STA 485+15 TO STA 486+15

**I-290 MAINTENANCE OF TRAFFIC  
TYPICAL SECTION  
STAGE 2**



STA 482+22 TO STA 487+75 (EB)

**I-290 MAINTENANCE OF TRAFFIC  
TYPICAL SECTION  
STAGE 2**

**LEGEND**

- ① EXISTING PAVEMENT MARKING
- ② WET REFLECTIVE TEMPORARY TAPE, - TYPE III, 4 INCH (YELLOW)
- ③ WET REFLECTIVE TEMPORARY TAPE, - TYPE III, 4 INCH (WHITE)
- ④ WET REFLECTIVE TEMPORARY TAPE, - TYPE III, 5 INCH (WHITE)
- ⑤ TEMPORARY PAVEMENT MARKING - LINE 6" (YELLOW) (ON BARRIER)
- ⑥ TEMPORARY PAVEMENT MARKING - LINE 6" (WHITE) (ON BARRIER)
- ⑦ WET REFLECTIVE TEMPORARY TAPE - TYPE III, 8 INCH (WHITE)
- TEMPORARY CONCRETE BARRIER
- TYPE II BARRIER, DRUM, OR VERTICAL BARRICADE WITH STEADY BURN MONODIRECTIONAL LIGHT
- WORK ZONE

FILE NAME =	DESIGNED - AJP	REVISED -
...prpln_ABC_C4_m1_mot_typ_st.2.11.dgn	DRAWN - TMB	REVISED -
USER NAME = tb:ank	CHECKED - JJT	REVISED -
PLOT DATE = 11/13/2009	DATE - 10/16/09	REVISED -

**benesch**

**STATE OF ILLINOIS  
DEPARTMENT OF TRANSPORTATION**

**MAINTENANCE OF TRAFFIC  
TYPICAL SECTIONS - STAGE 2**

SCALE: N.T.S. SHEET NO. 39 OF 69 SHEETS STA. TO STA. \*

F.A.I. RTE.	SECTION	COUNTY	TOTAL SHEETS	SHEET NO.
290	2009-0998R	COOK/DUPAGE	309	84
FED. ROAD DIST. NO. [ILLINOIS] FED. AID PROJECT			CONTRACT NO. 60157	