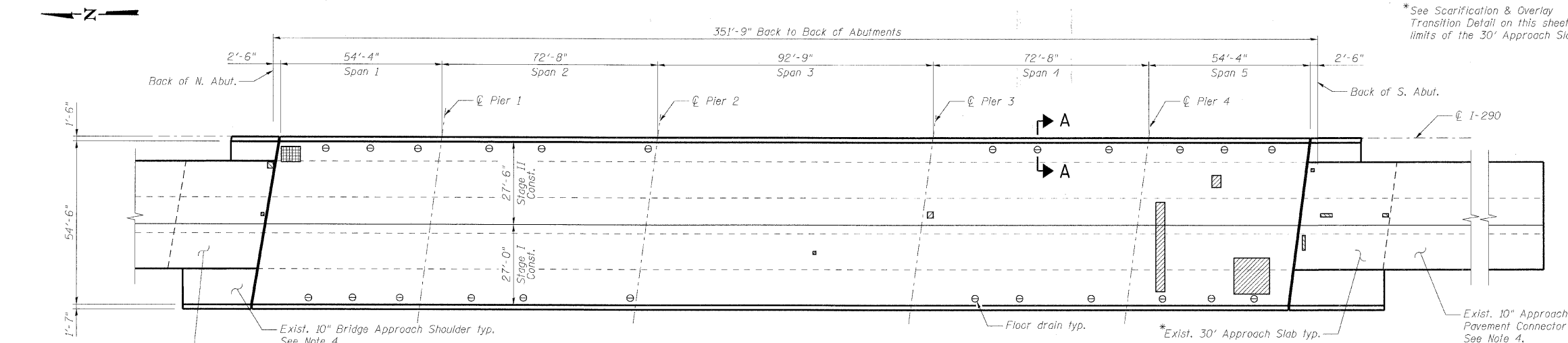


STATE OF ILLINOIS
DEPARTMENT OF TRANSPORTATION



PLAN

*See Scarification & Overlay Transition Detail on this sheet for limits of the 30' Approach Slab.

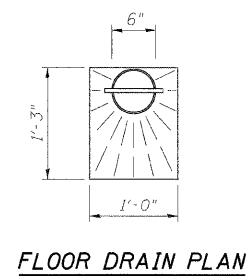
BILL OF MATERIAL

SYMBOL	ITEM	UNIT	QUANTITY
	Deck Slab Repair (Partial)	Sq. Yd.	55.8
	Cleaning & Painting Exposed Rebar (Special)	Sq. Ft.	33
	Approach Slab Repair (Partial Depth)	Sq. Yd.	5.0
	Structural Repair of Concrete (Depth Equal to or Less than 5 Inches)	Sq. Ft.	9
	Protective Shield	Sq. Yd.	1,132
	Bridge Deck Grooving	Sq. Yd.	2,391
	Protective Coat	Sq. Yd.	2,494
	Bridge Deck Latex Concrete Overlay, 2 1/4"	Sq. Yd.	2,469
	Bridge Deck Hydro-Scarification, 1/2"	Sq. Yd.	2,469

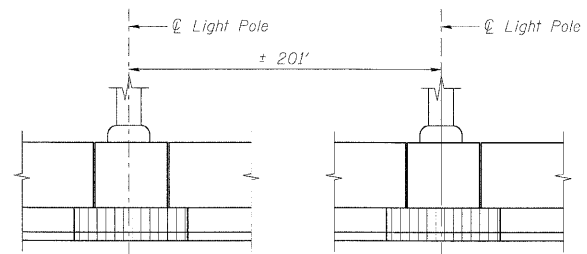
▲ For information only to assist the Contractor in bidding. See Special Provisions for "Bridge Deck Latex Concrete Overlay".

Notes:

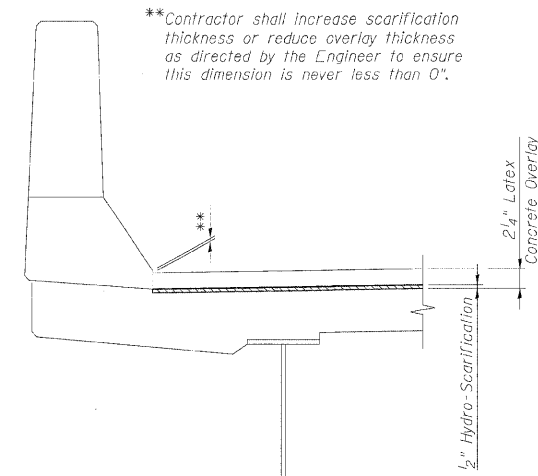
- Deck and approach slab repair areas are estimated based on visual inspection completed in June 2009. Actual repair areas and locations shall be determined by the Engineer and shown on As-Built plans.
- Protective Shield, required for deck slab and/or parapet repairs, shall be installed according to Article 501.03 of the Standard Specifications. For limits of Protective Shield, see General Plan and Elevation.
- Deck drains (downspouts, floor drains, and scuppers) shall be cleaned prior to placement of the Latex Concrete Overlay. Cost of cleaning the deck drains is included in Bridge Deck Hydro-Scarification, 1/2".
- The Engineer shall determine the type and quantity of Class A patching and the quantity of Mixture for Cracks, Joints and Flangeways. Estimated quantities are included in the overall Summary of Quantities in Roadway Plans.
- Gaps caused by distress around floor drains shall be filled with epoxy as specified in the Special Provision "Epoxy Injection". Cost included with Bridge Deck Latex Concrete Overlay, 2 1/4".
- Cost of new overlay on approach slab transition is included with Bridge Deck Latex Concrete Overlay, 2 1/4".



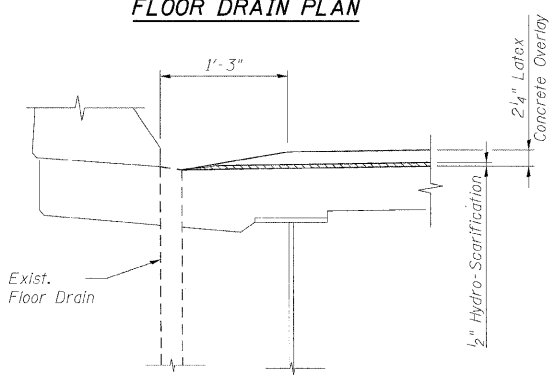
FLOOR DRAIN PLAN



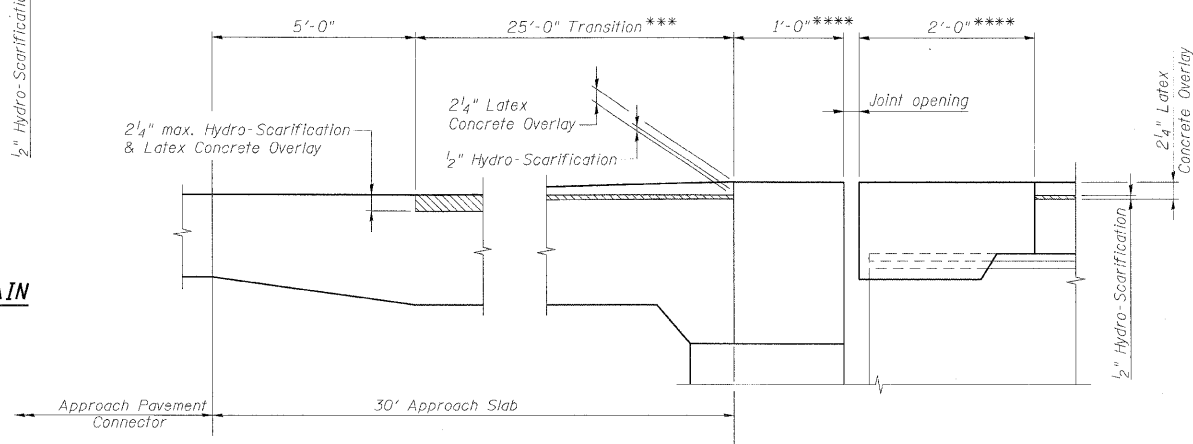
INSIDE ELEVATION - INSIDE PARAPET



SCARIFICATION & OVERLAY DETAIL AT PARAPET



SECTION A-A
CONCRETE OVERLAY AT FLOOR DRAIN



SCARIFICATION & OVERLAY TRANSITION DETAIL

***Cost of increased hydro-scarification depth over length of transition shall be included with Bridge Deck Hydro-Scarification, 1/2".

****Construct new concrete at joints to same lines and grades as new concrete overlay at these locations.

DESIGNED -	TJJ
CHECKED -	AAY
DRAWN -	RMG
CHECKED -	AAY

benesch

alfred benesch & company
Engineers • Surveyors • Planners
206 North Michigan Avenue, Suite 2400
Chicago, Illinois 60601
312-955-0450 Job No. 10050

SHEET NO. 4 8 SHEETS	F.A.I. RTE.	SECTION	COUNTY	TOTAL SHEETS	SHEET NO.
	290	2009-099 BR	COOK/DUPAGE	309	176
FED. ROAD DIST. NO.			ILLINOIS FED. AID PROJECT		
			CONTRACT NO. 60157		

x:\100000s\10050\engineering\documents\contract\1\sn-016-1132-1133-c&nw-s\1133-60051-004-deckrepair.dgn

18:36:24
11/12/2009