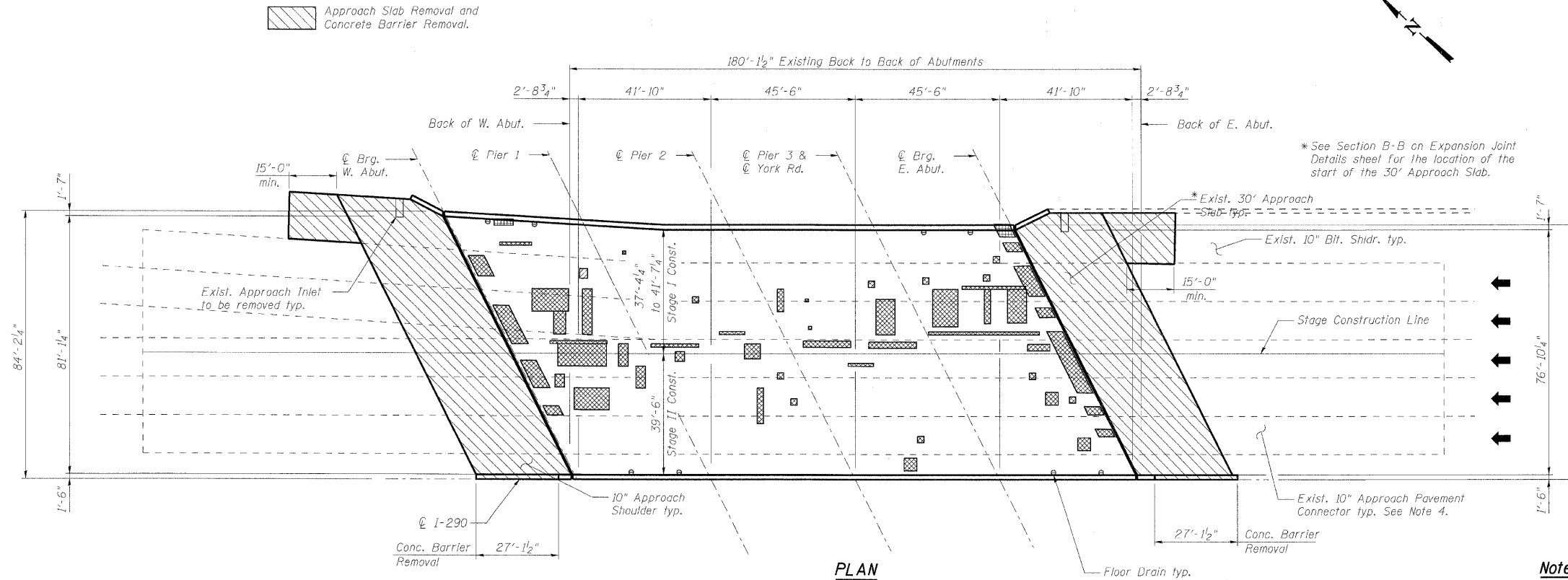


STATE OF ILLINOIS
DEPARTMENT OF TRANSPORTATION

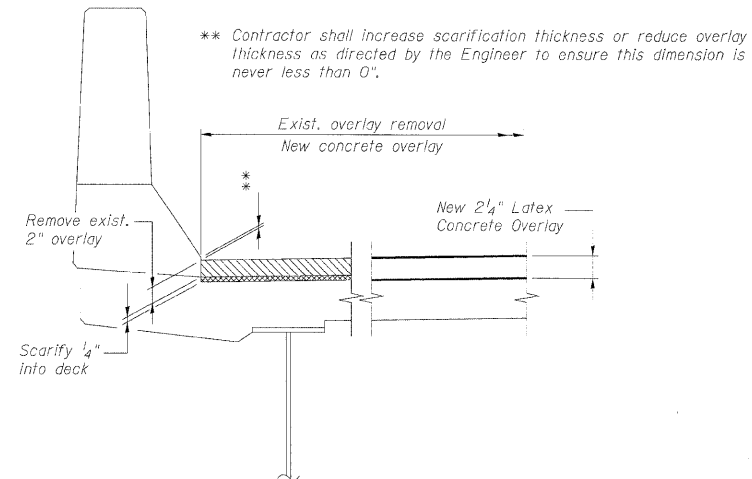
BILL OF MATERIAL

SYMBOL	ITEM	UNIT	QUANTITY
	Deck Slab Repair (Partial)	Sq. Yd.	16.6▲
	Deck Slab Repair (Full Depth - Type I)	Sq. Yd.	131.2
	Deck Slab Repair (Full Depth - Type II)	Sq. Yd.	164.0
	Cleaning & Painting Exposed Rebar (Special)	Sq. Ft.	41
	Protective Shield	Sq. Yd.	870
	Protective Coat	Sq. Yd.	1,571
	Bridge Deck Grooving	Sq. Yd.	1,532
	Bridge Deck Latex Concrete Overlay, 2 1/4"	Sq. Yd.	1510
	Bridge Deck Hydro-Scarification, 2 1/4"	Sq. Yd.	1,510

▲ For information only to assist the Contractor in bidding. See Special Provision for "Bridge Deck Latex Concrete Overlay".



PLAN



SCARIFICATION & OVERLAY
DETAIL AT PARAPET

Notes:

- Deck and approach slab repair areas are estimated based on visual inspection completed in June 2009. Actual repair areas and locations shall be determined by the Engineer and shown on As-Built plans.
- Protective Shield required for deck slab and/or parapet repairs, shall be installed according to Article 501.03 of the Standard Specifications. For limits of Protective Shield, see General Plan and Elevation sheet.
- Deck drains (downspouts, floor drains, and scuppers) shall be cleaned prior to placement of the Latex Concrete Overlay. Cost of cleaning the deck drains is included in Bridge Deck Hydro-Scarification, 2 1/4".
- The Engineer shall determine the type and quantity of Class A patching and the quantity of Mixture for Cracks, Joints and Flangeways. Estimated quantities are included in the overall Summary of Quantities in Roadway Plans.
- See Approach Slab Details sheets for Approach Slab removal and replacement details and quantities. See the Special Provisions for "Approach Slab Removal" and "Concrete Barrier Removal".
- Upon completion of all repairs, the Engineer shall inspect the underside of the deck for gaps between the girders and non-composite deck. See General Note 12.
- Gaps caused by distress around floor drains shall be filled with epoxy as specified in the Special Provision "Epoxy Injection". Cost included with Bridge Deck Latex Concrete Overlay, 2 1/4".

DESIGNED	MFB
CHECKED	KWS
DRAWN	RMG
CHECKED	KWS

benesch

alfred benesch & company
Engineers • Surveyors • Planners
205 North Michigan Avenue, Suite 2400
Chicago, Illinois 60601
312-565-0450 Job No. 10050

SHEET NO. 5 25 SHEETS	F.A.I. RTE.	SECTION	COUNTY	TOTAL SHEETS	SHEET NO.
	290	2009-099 BR	COOK/DUPAGE	309	224
FED. ROAD DIST. NO.			ILLINOIS	FED. AID PROJECT	
CONTRACT NO. 60157					

BRIDGE DECK
AND APPROACH SLAB REPAIRS
STRUCTURE NO. 022-0006

x:\100000s\100050\engineering\documents\contract\1\sn_022_0006_0005_00k-rd\0006-00051-005-deck-repair.dgn 18:40:17 11/12/2009