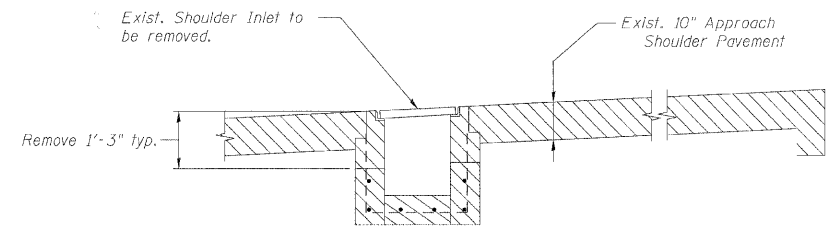
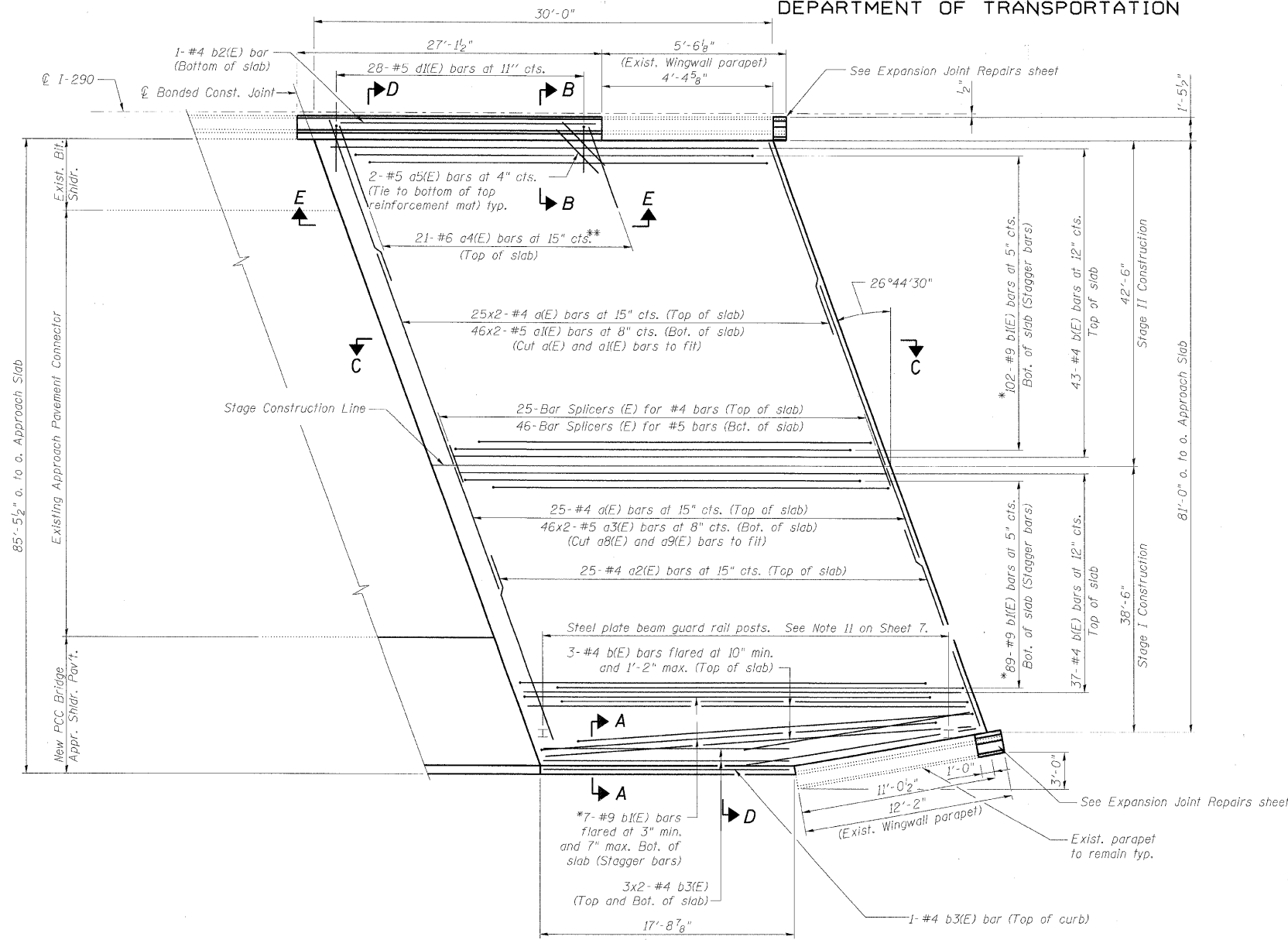


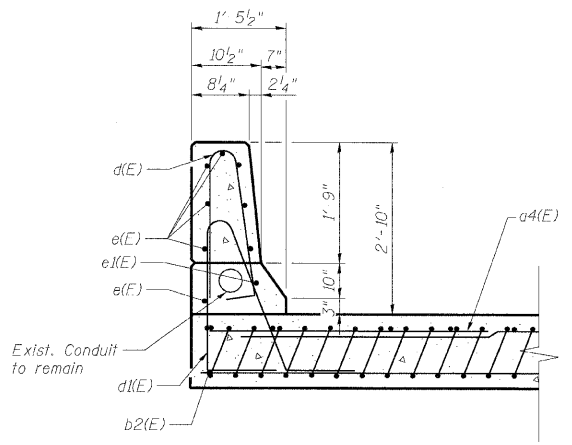
STATE OF ILLINOIS
DEPARTMENT OF TRANSPORTATION



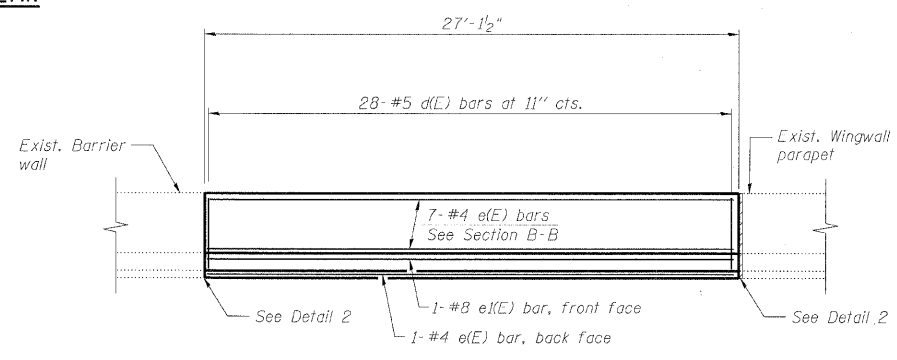
APPROACH SLAB REMOVAL DETAIL AT INLET

- * Tilt bars as required to maintain clearance.
- ** Alternate with a(E) bars.
- *** Cost included with Concrete Superstructure.

PLAN



SECTION B-B



VIEW E-E

Note:
Work this sheet with West Bridge Approach Slab Details (2 of 2) sheet.

DESIGNED -	MFB
CHECKED -	KWS
DRAWN -	RMG
CHECKED -	KWS

benesch
alfred benesch & company
Engineers • Surveyors • Planners
205 North Michigan Avenue, Suite 2400
Chicago, Illinois 60601
312-565-0450 Job No. 10050

SHEET NO. 6 25 SHEETS	F.A.I. RTE.	SECTION	COUNTY	TOTAL SHEETS	SHEET NO.
	290	2009-099 BR	COOK/DUPAGE	309	250
FED. ROAD DIST. NO.			ILLINOIS	FED. AID PROJECT	
CONTRACT NO. 60157					

**WEST BRIDGE APPROACH SLAB DETAILS
(1 OF 2)
STRUCTURE NO. 022-0005**

x:\100005\10050\engineering\documents\contract\1\sn-022-0005-yor-k-rd\0005-60051-006-Approach-1.dgn 18:43:09 11/12/2009