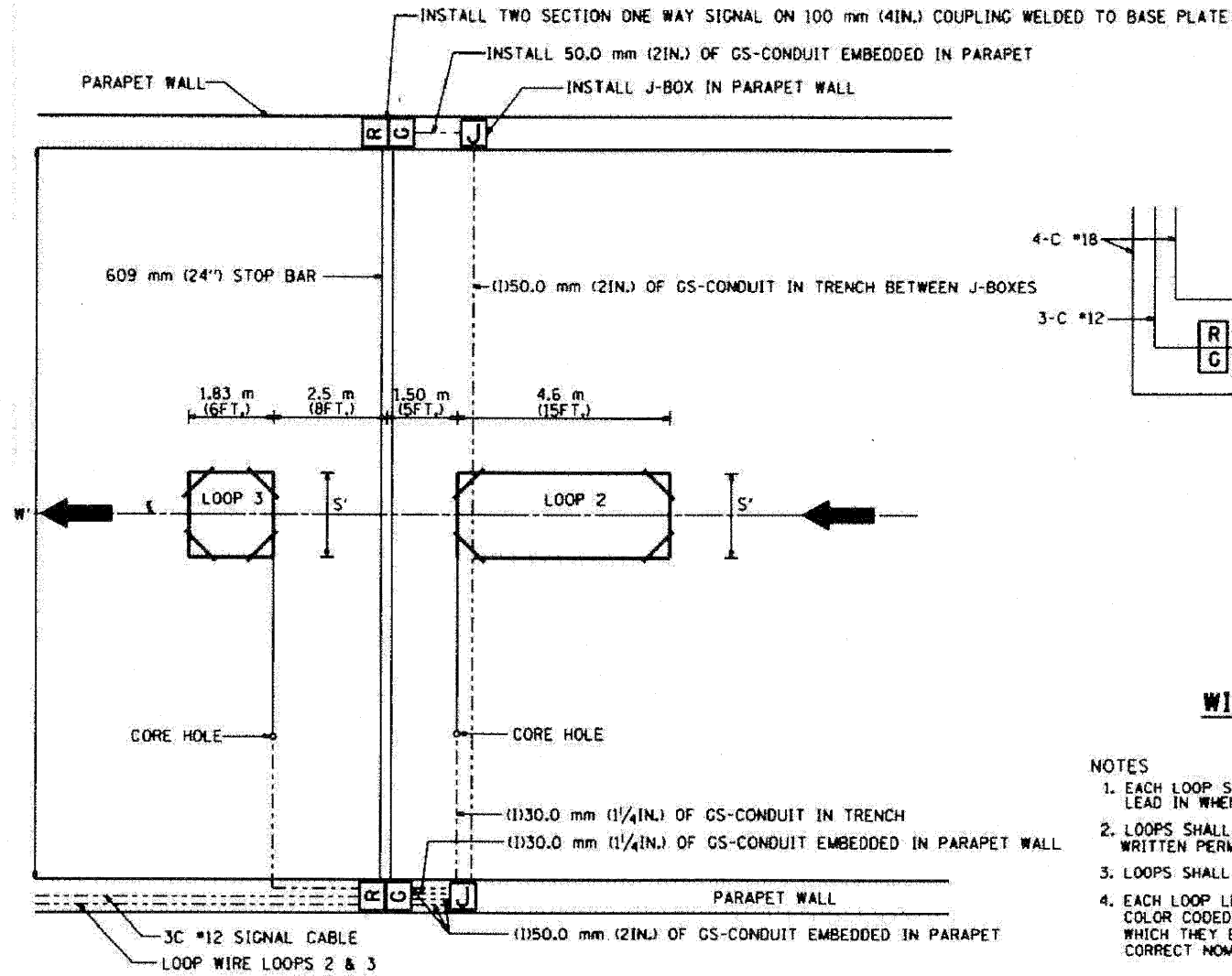
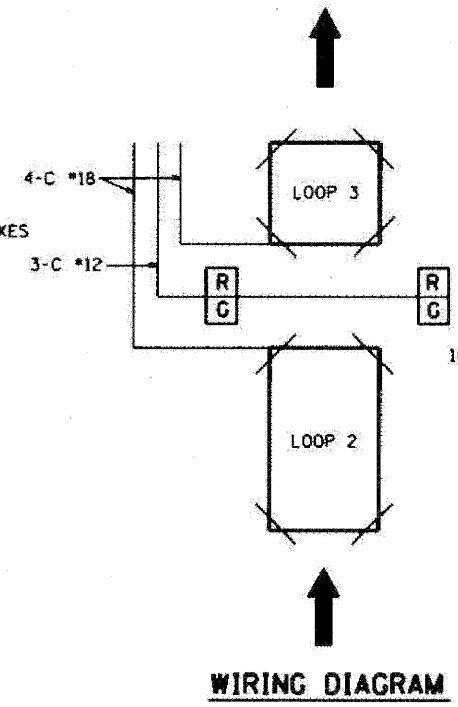


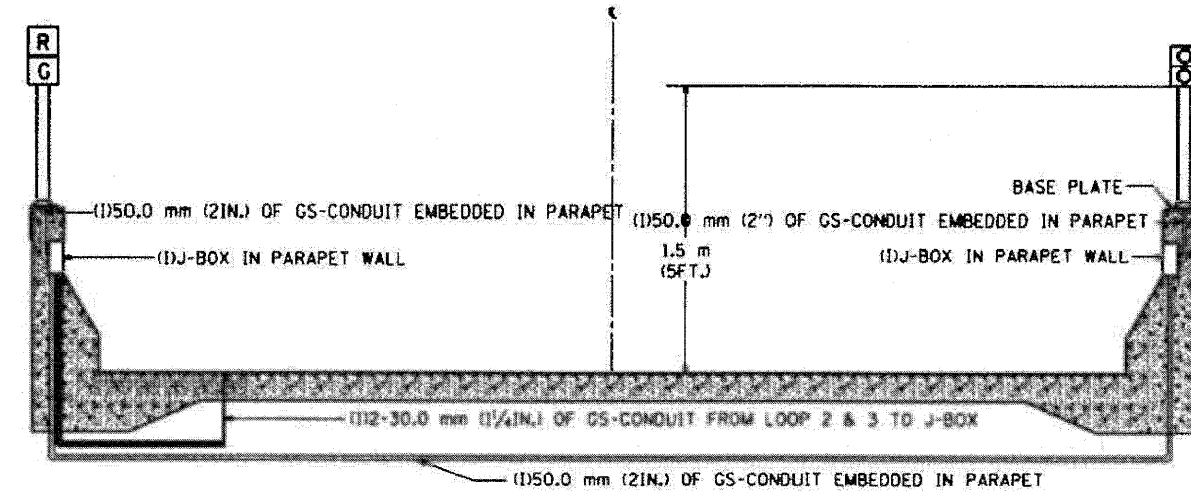
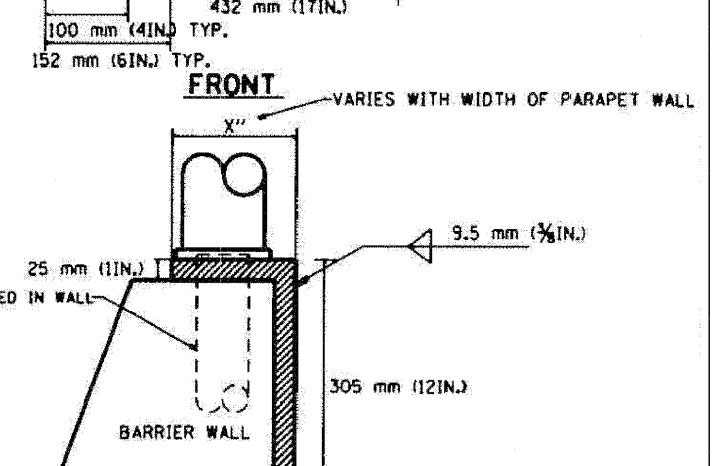
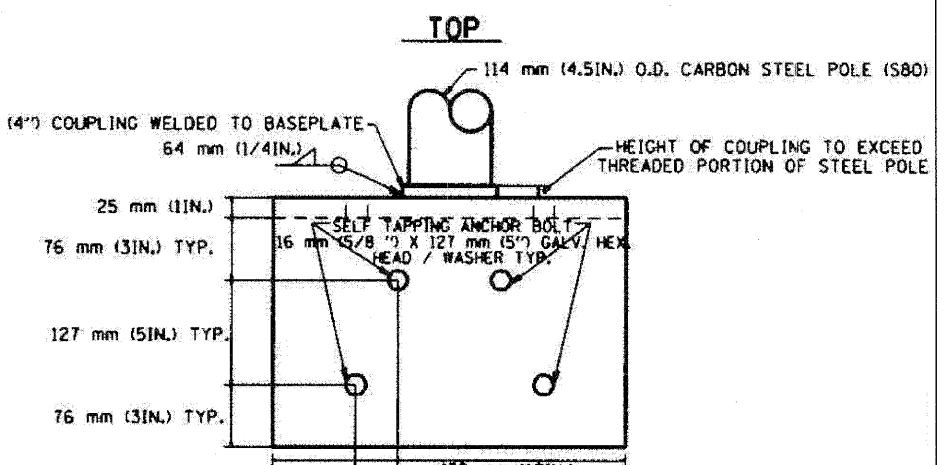
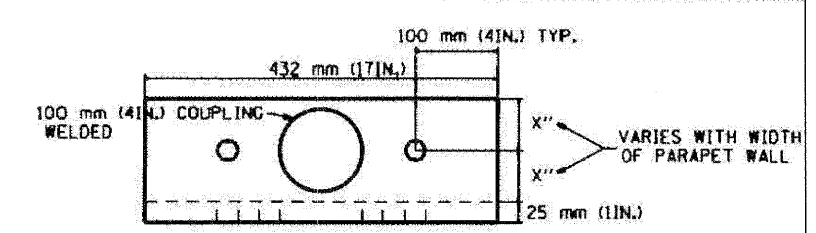
F.A.I. RTE.	SECTION	COUNTY	TOTAL SHEETS	SHEET NO.
STA.	TO STA.			
FED. ROAD DIST. NO. ILLINOIS FED. AID PROJECT				



TYPICAL LOOP LAYOUT



- NOTES
1. EACH LOOP SHALL BE SPLICED TO A 4-C NO.18 TWISTED SHIELDED LEAD IN WHEN 45 m (150FT.) OR MORE FROM CABINET.
 2. LOOPS SHALL BE SPLICED IN HANDHOLES OR J-BOX ONLY, OTHERWISE WRITTEN PERMISSION SHALL BE OBTAINED FROM TSC ENGINEER.
 3. LOOPS SHALL NOT BE SPLICED IN SERIES.
 4. EACH LOOP LEAD IN SHALL BE IDENTIFIED AND PERMANENTLY COLOR CODED IN THE COREHOLE, HANDHOLE & CABINETS THRU WHICH THEY ENTER OR PASS AND TAGGED WITH THE CORRECT NOMENCLATURES.



WIDTH (W)	WIDTH (S)
3.7 m (12')	2.5 m (8')
4.0 m (13')	2.8 m (9')
4.3 m (14')	3.1 m (10')
4.6 m (15')	3.4 m (11')
4.9 m (16')	3.7 m (12')
5.2 m (17')	4.0 m (13')
5.5 m (18')	4.3 m (14')
5.8 m (19')	4.6 m (15')
6.1 m (20')	4.9 m (16')
6.4 m (21')	5.2 m (17')
6.7 m (22')	5.5 m (18')
7.0 m (23')	5.8 m (19')
7.3 m (24')	6.1 m (20')
7.6 m (25')	6.4 m (21')

REVISIONS		DATE	ILLINOIS DEPARTMENT OF TRANSPORTATION TRAFFIC SYSTEMS CENTER TYPICAL RAMP METERING TYPE 3 BARRIER WALL INSTALLATION
NO.	DESCRIPTION		
1.	R.L.	6/94	SCALE: VERT. NONE HORIZ. NONE DATE 6-22-94 DRAWN BY G.M. CHECKED BY R.L.
2.	R.L.	2/96	
3.	T.C.	3/96	
4.	R.L.	2/98	
5.			

TRAFFIC SYSTEMS CENTER (TY-1TSC-400*3)

FILE NAME =	DESIGNED - GHT	REVISED -
...prp\In_ABC_C4_TS_DET_03.dgn	DRAWN - TMB	REVISED -
USER NAME = jmjgowski	CHECKED - MPM	REVISED -
PLOT DATE = 11/13/2009	DATE - 10/16/09	REVISED -

benesch

STATE OF ILLINOIS
DEPARTMENT OF TRANSPORTATION

TRAFFIC SYSTEMS CENTER
DETAIL SHEETS

SCALE: N.T.S. SHEET NO. 3 OF 14 SHEETS STA. TO STA.

F.A.I. RTE.	SECTION	COUNTY	TOTAL SHEETS	SHEET NO.
290	2009-099BR	COOK/DUPAGE	309	282
CONTRACT NO. 60157			ILLINOIS FED. AID PROJECT	