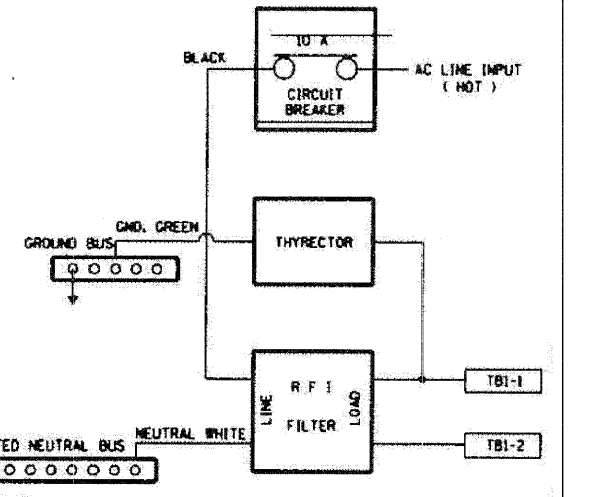
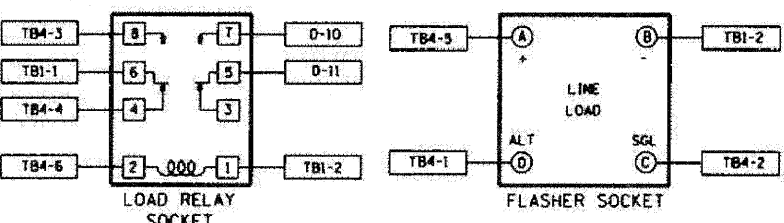
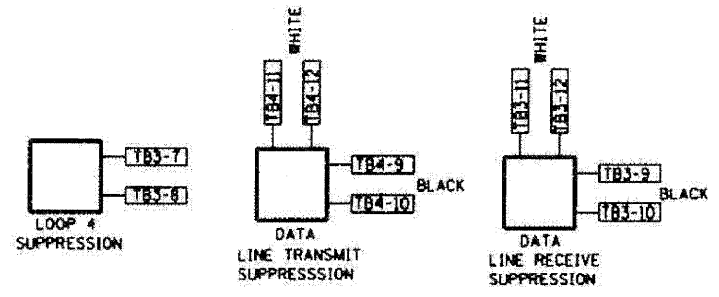
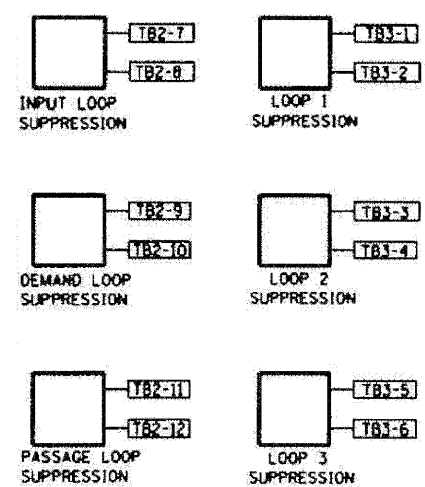
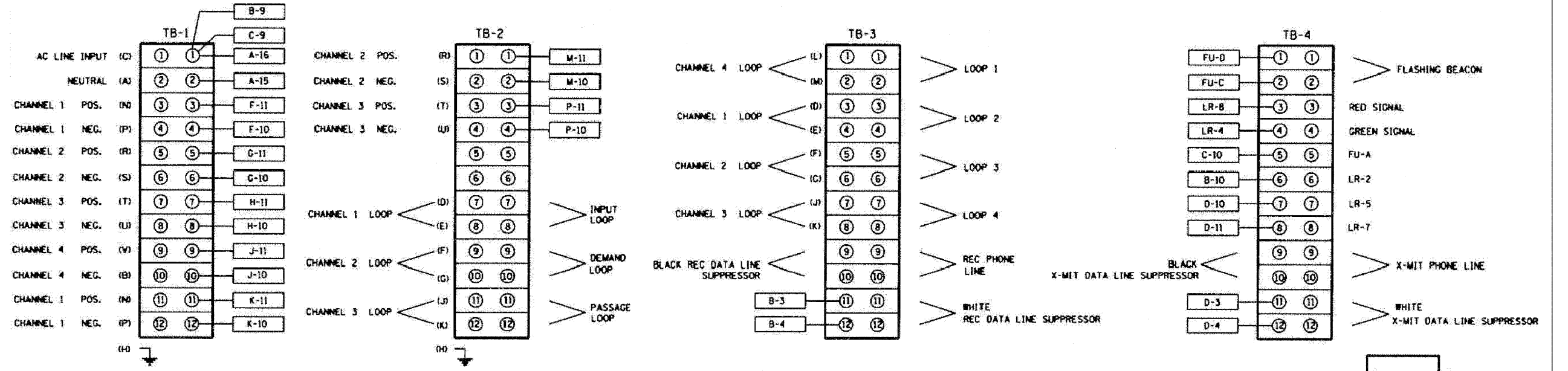
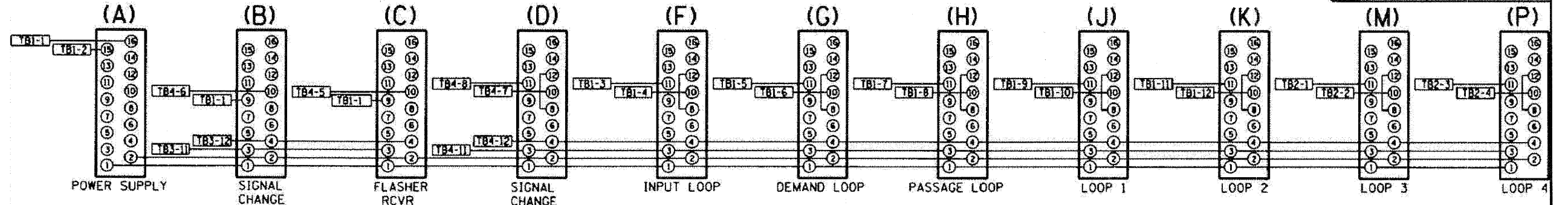


BACK VIEW OF TONE RACK

F.A. RTE.	SECTION	COUNTY	TOTAL SHEETS	SHEET NO.
STA.	TO STA.			
FED. ROAD DIST. NO. ILLINOIS FED. AID PROJECT				



CABINET NO.		ILLINOIS DEPARTMENT OF TRANSPORTATION TRAFFIC SYSTEMS CENTER METERING CABINET WIRING DIAGRAM SCALE: NONE DATE: 6/21/94 DRAWN BY: GJM CHECKED BY: T.C.
REVISED	DATE	
NAME	DATE	
T.C.	6/94	
R.L.	3/95	

TRAFFIC SYSTEMS CENTER (TY-ITSC-400#8)

FILE NAME =	DESIGNED - GHT	REVISED -
...prp1n_abc_c4_ts_de_05.dgn	DRAWN - TMB	REVISED -
USER NAME = jme_jwsk	CHECKED - MPM	REVISED -
PLOT DATE = 11/13/2009	DATE - 10/16/09	REVISED -

benesch

STATE OF ILLINOIS
DEPARTMENT OF TRANSPORTATION

TRAFFIC SYSTEMS CENTER
DETAIL SHEETS

SCALE: N.T.S. SHEET NO. 5 OF 14 SHEETS STA. TO STA.

F.A. RTE.	SECTION	COUNTY	TOTAL SHEETS	SHEET NO.
290	2009-0998R	COOK/DUPAGE	309	284
CONTRACT NO. 60157				