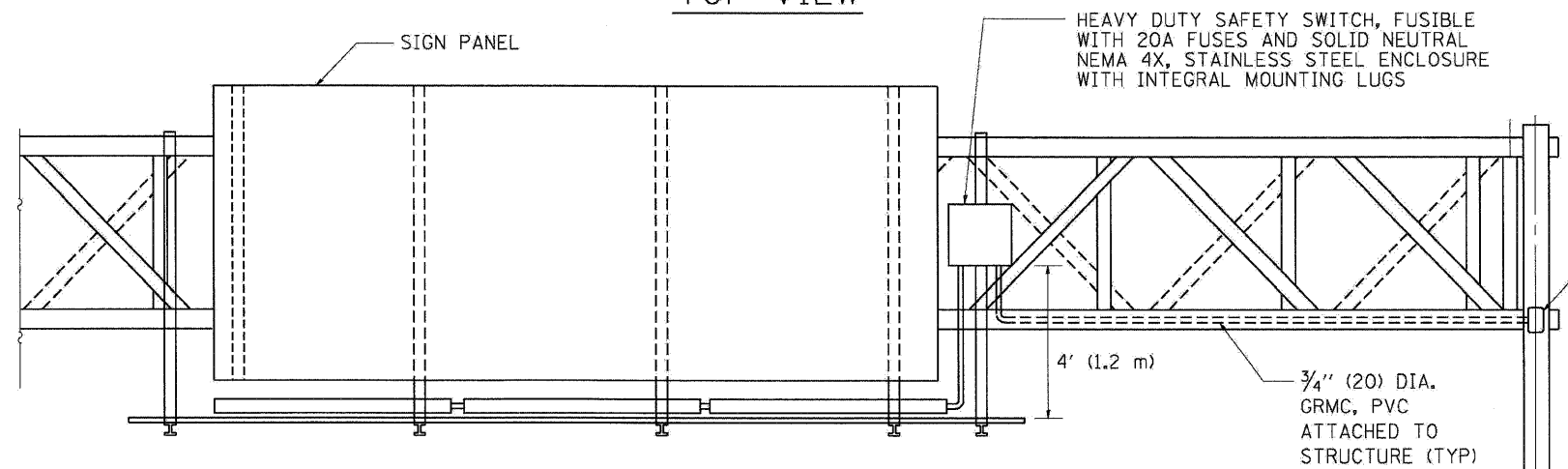
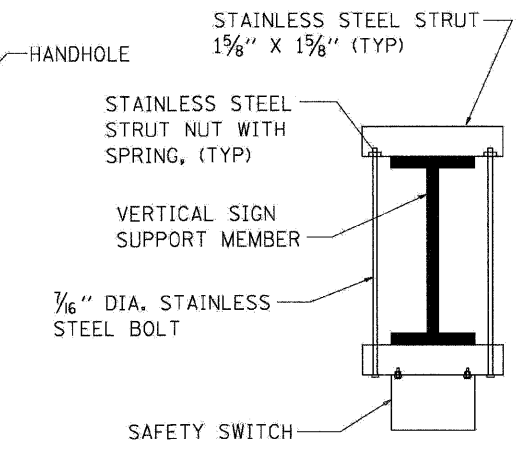
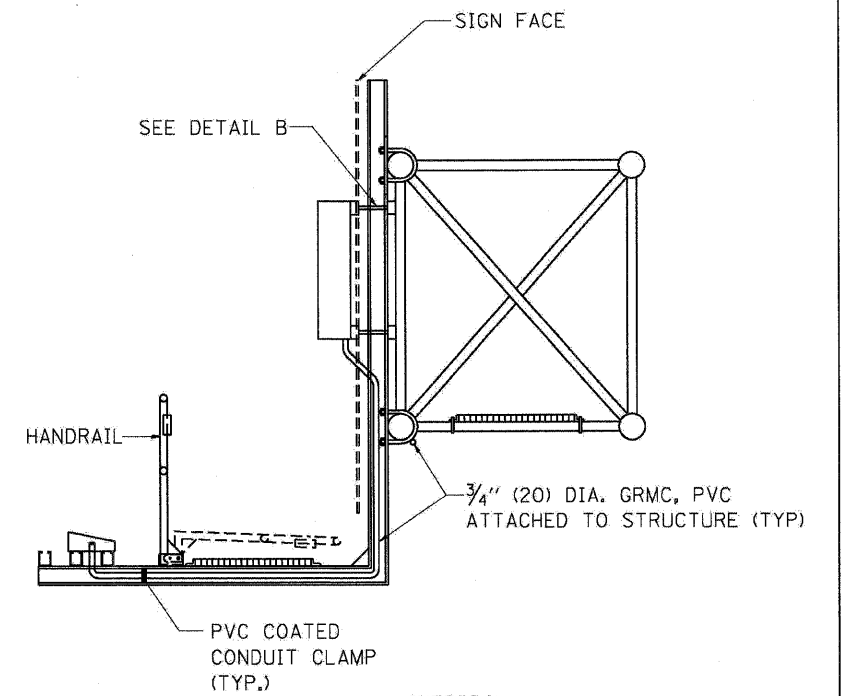


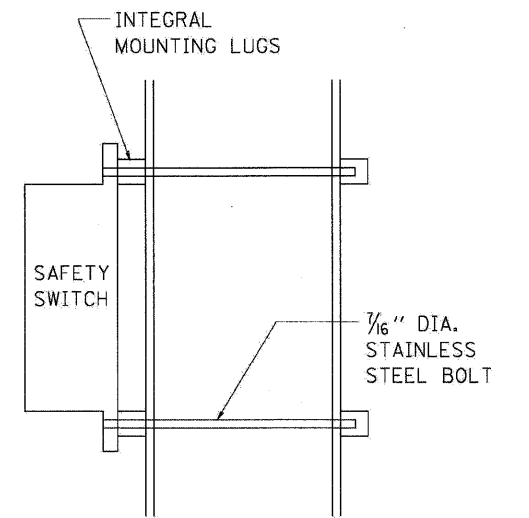
TOP VIEW



ELEVATION VIEW



TOP VIEW



SIDE VIEW

DETAIL B

BE-600

FILE NAME =	DESIGNED - AJP	REVISED -
...prpln.ABC.C4.01.BE-600B.dgn	DRAWN - TMB	REVISED -
USER NAME = jmajewski	CHECKED - JMM	REVISED -
PLOT DATE = 12/16/2009	DATE - 10/16/09	REVISED -

**benesch**

**STATE OF ILLINOIS  
DEPARTMENT OF TRANSPORTATION**

**ELECTRIC CONNECTION TO SIGN STRUCTURE SPAN TYPE**

SCALE: N.T.S. SHEET NO. 2 OF 8 SHEETS STA. TO STA.

F.A.I. RTE.	SECTION	COUNTY	TOTAL SHEETS	SHEET NO.
290	2009-099BR	COOK/DUPAGE	394	388
FED. ROAD DIST. NO. [ILLINOIS] FED. AID PROJECT				CONTRACT NO. 60157