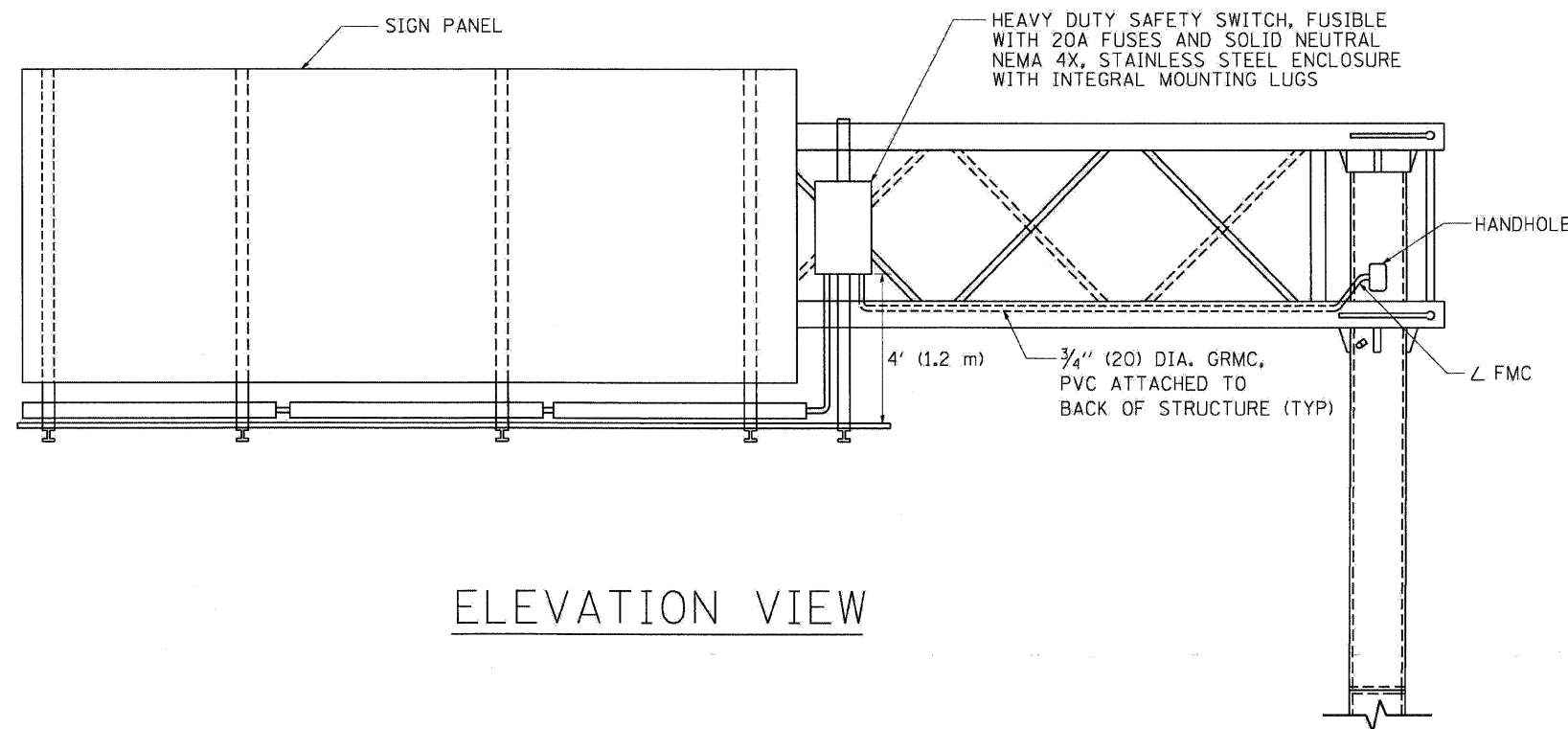
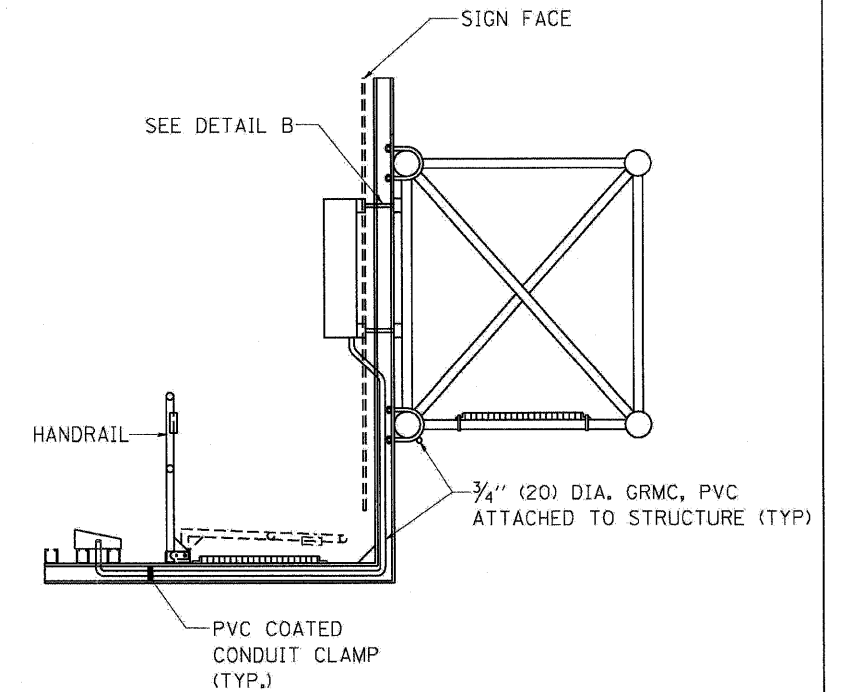
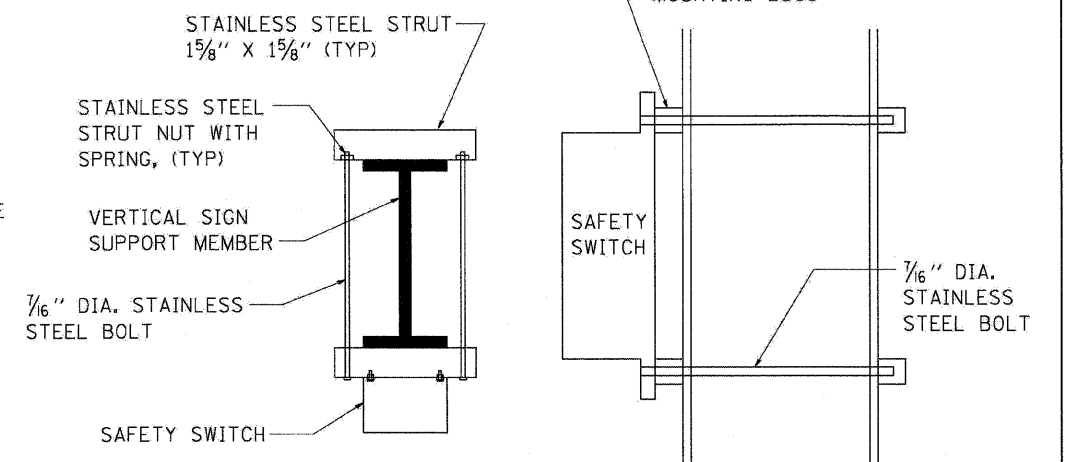


TOP VIEW



ELEVATION VIEW



TOP VIEW

SIDE VIEW

DETAIL B

FILE NAME =	DESIGNED - AJP	REVISED -
...\\prpl1-abc.c4.01.3E-601B.dgn	DRAWN - TMB	REVISED -
USER NAME = jma_ewaks	CHECKED - JMM	REVISED -
PLOT DATE = 12/16/2009	DATE = 10/16/09	REVISED -

**benesch**

**STATE OF ILLINOIS  
DEPARTMENT OF TRANSPORTATION**

**ELECTRIC CONNECTION TO SIGN STRUCTURE CANTILEVER TYPE**

SCALE: N.T.S. SHEET NO. 4 OF 8 SHEETS STA. TO STA.

F.A.I. RTE.	SECTION	COUNTY	TOTAL SHEETS	SHEET NO.
290	2009-099BR	COOK/DUPAGE	394	390
CONTRACT NO. 60157				
FED. ROAD DIST. NO. [ILLINOIS] FED. AID PROJECT				

BE-601