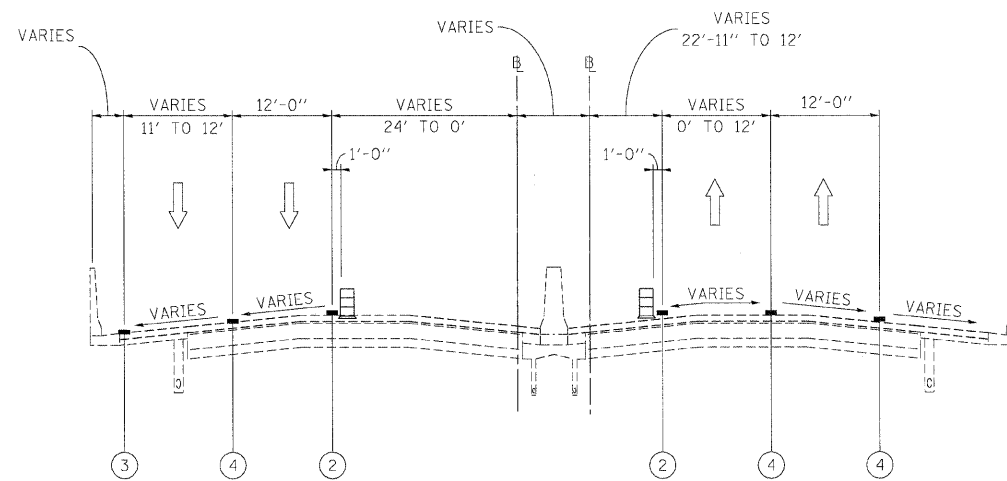


**WESTBOUND** STA 720+35 TO STA 726+70  
**EASTBOUND** STA 716+85 TO STA 726+70

**I-290 MAINTENANCE OF TRAFFIC  
 TYPICAL SECTION  
 STAGE 2**

BRIDGE OMISSION: STA 720+36 TO 726+70



**WESTBOUND** STA 726+70 TO STA 734+39  
**EASTBOUND** STA 726+70 TO STA 731+66

**I-290 MAINTENANCE OF TRAFFIC  
 TYPICAL SECTION  
 STAGE 2**

**LEGEND**

- ① EXISTING PAVEMENT MARKING
- ② WET REFLECTIVE TEMPORARY TAPE, - TYPE III, 4 INCH (YELLOW)
- ③ WET REFLECTIVE TEMPORARY TAPE, - TYPE III, 4 INCH (WHITE)
- ④ WET REFLECTIVE TEMPORARY TAPE, - TYPE III, 5 INCH (WHITE)
- ⑤ TEMPORARY PAVEMENT MARKING - LINE 6" (YELLOW) (ON BARRIER)
- ⑥ TEMPORARY PAVEMENT MARKING - LINE 6" (WHITE) (ON BARRIER)
- ⑦ WET REFLECTIVE TEMPORARY TAPE - TYPE III, 8 INCH (WHITE)
- TEMPORARY CONCRETE BARRIER
- TYPE II BARRIER, DRUM, OR VERTICAL BARRICADE WITH STEADY BURN MONODIRECTIONAL LIGHT
- WORK ZONE

FILE NAME =	DESIGNED - AJP	REVISED -
...:\pripin_ABC.C2.m1.mot.typ.st.2.18.dgn	DRAWN - TMB	REVISED -
USER NAME = jmojewski	CHECKED - JJT	REVISED -
PLT DATE = 1/25/2010	DATE - 1/25/10	REVISED -

**benesch**

**STATE OF ILLINOIS  
 DEPARTMENT OF TRANSPORTATION**

**MAINTENANCE OF TRAFFIC  
 TYPICAL SECTION - STAGE 2**

F.A.I. RTE.	SECTION	COUNTY	TOTAL SHEETS	SHEET NO.
290	(3131, ETC., 3435)RS-6	COOK	215	80
FED. ROAD DIST. NO.		ILLINOIS FED. AID PROJECT		
SCALE:		SHEET NO. 26 OF 50 SHEETS		STA. TO STA.