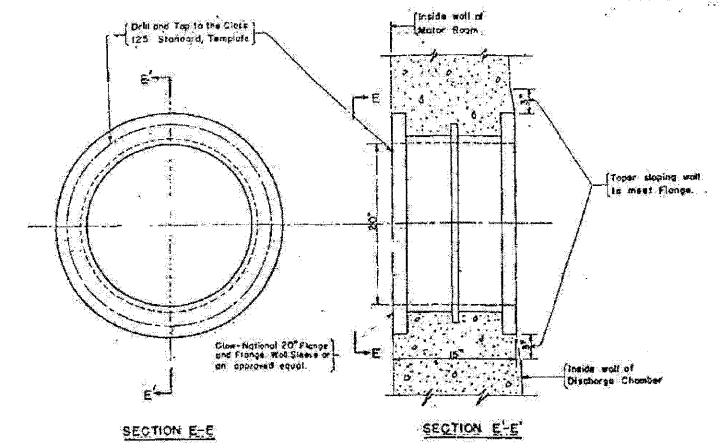
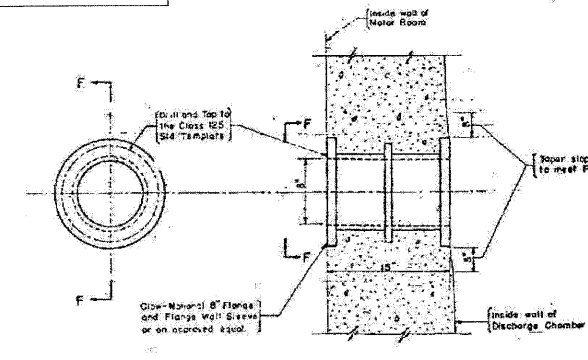


PS 4

FOR INFORMATION ONLY



WALL SLEEVE
Cast Iron 8 Required
Scale 1/4" = 1'-0"



WALL SLEEVE
Cast Iron 1 Required
Scale 1/4" = 1'-0"

NOTE:
Wall sleeves are not to be paid for separately but are to be included in the unit price bid per Storm Water Pump.
Total weight Structural Steel this sheet equals 250 lb.

Scale 1/4" = 1'-0" or as noted

DEPARTMENT OF HIGHWAYS
CONCRETE EXPRESSWAY
PUMPING STATION
MECHANICAL DETAILS

COMPUTED BY: JCS
DRAWN BY: JCS
CHECKED BY: JCS
DATE: 1/25/10

No. 11-81-50

FILE NAME =	DESIGNED - SGL	REVISED -	<p>LIN ENGINEERING, L.T.D. Consulting Engineers Chatham, Wood Westmont, Illinois</p>	<p>STATE OF ILLINOIS DEPARTMENT OF TRANSPORTATION</p> <p>PUMP STATION NO. 4 RECORD DRAWINGS</p>			F.A.I. RTE.	SECTION	COUNTY	TOTAL SHEETS	SHEET NO.
#FILE#	DRAWN - SGL	REVISED -					290	(3131, ETC., 3435) RS-6	COOK	215	168
USER NAME = #USER#	CHECKED - FML	REVISED -					CONTRACT NO. 60K10				
PLOT DATE = #DATE#	DATE - 1/25/10	REVISED -					ILLINOIS FED. AID PROJECT				
							SCALE:	SHEET NO. 2 OF 2 SHEETS	STA.	TO STA.	