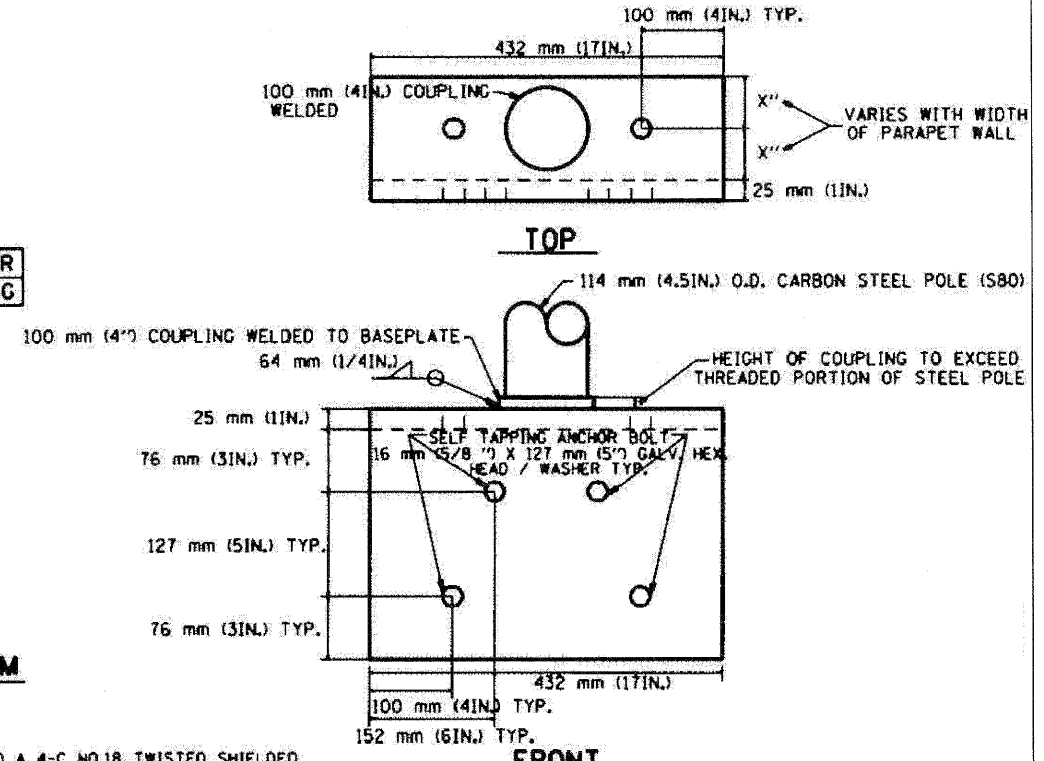
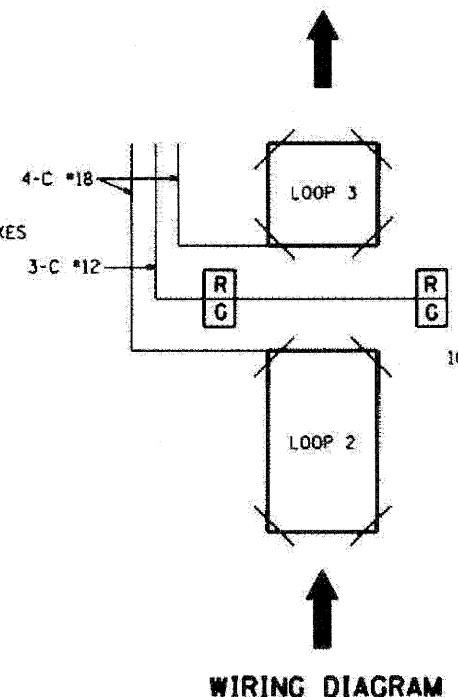
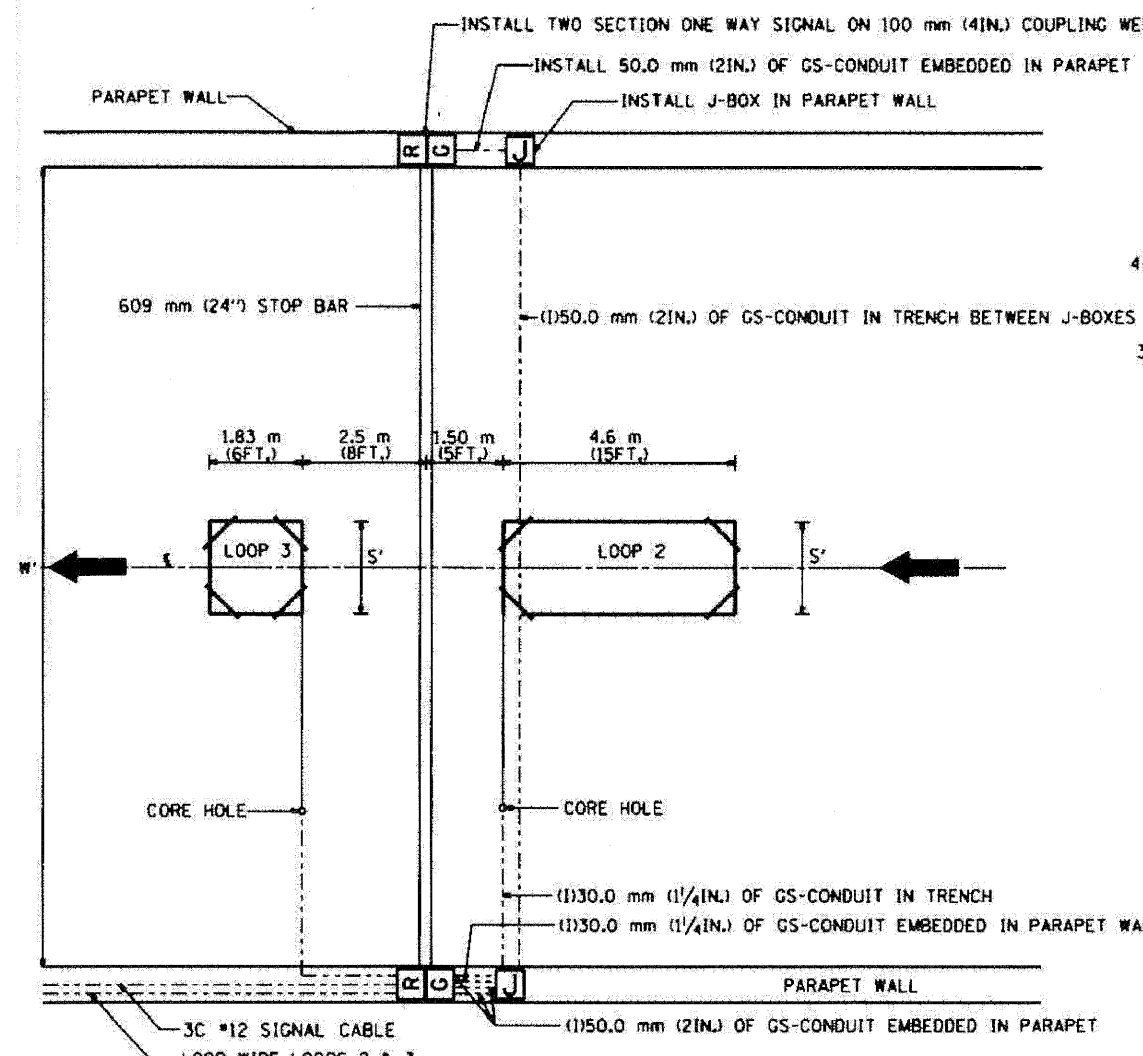


F.A.I. RTE.	SECTION	COUNTY	TOTAL SHEETS	SHEET NO.
290	(313), ETC., 3435RS-6	COOK	215	185



- NOTES
1. EACH LOOP SHALL BE SPLICED TO A 4-C NO.18 TWISTED SHIELDED LEAD IN WHEN 45 m (150FT.) OR MORE FROM CABINET.
  2. LOOPS SHALL BE SPLICED IN HANDHOLES OR J-BOX ONLY, OTHERWISE WRITTEN PERMISSION SHALL BE OBTAINED FROM TSC ENGINEER.
  3. LOOPS SHALL NOT BE SPLICED IN SERIES.
  4. EACH LOOP LEAD IN SHALL BE IDENTIFIED AND PERMANENTLY COLOR CODED IN THE COREHOLE, HANDHOLE & CABINETS THRU WHICH THEY ENTER OR PASS AND TAGGED WITH THE CORRECT NOMENCLATURES.

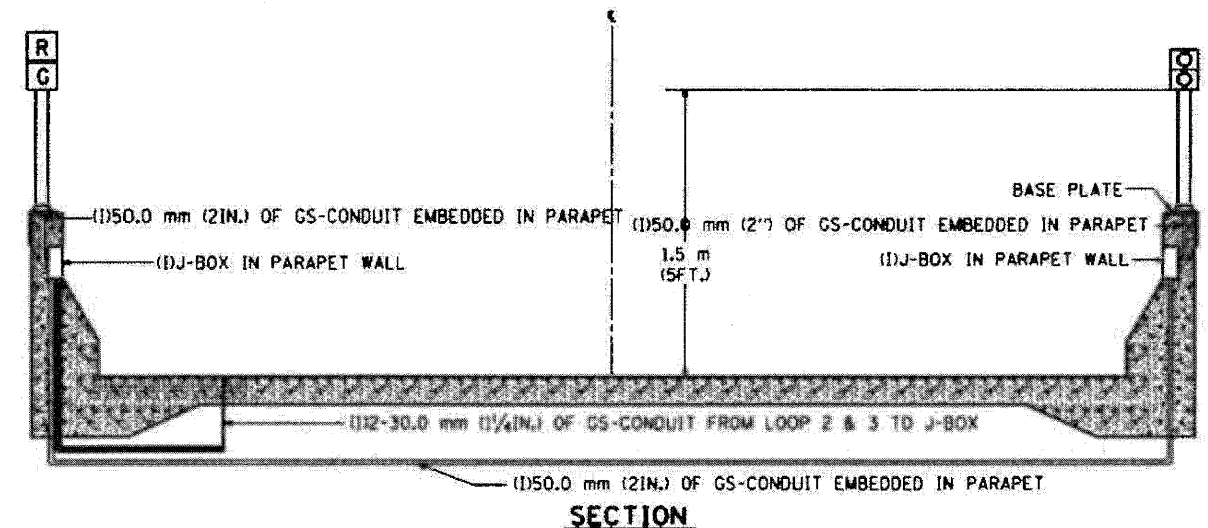


TABLE 1

WIDTH (W)	WIDTH (S)
3.7 m (12')	2.5 m (8')
4.0 m (13')	2.8 m (9')
4.3 m (14')	3.1 m (10')
4.6 m (15')	3.4 m (11')
4.9 m (16')	3.7 m (12')
5.2 m (17')	4.0 m (13')
5.5 m (18')	4.3 m (14')
5.8 m (19')	4.6 m (15')
6.1 m (20')	4.9 m (16')
6.4 m (21')	5.2 m (17')
6.7 m (22')	5.5 m (18')
7.0 m (23')	5.8 m (19')
7.3 m (24')	6.1 m (20')
7.6 m (25')	6.4 m (21')

REVISIONS	DATE
R.L.	6/94
R.L.	2/96
T.C.	3/96
R.L.	2/98

ILLINOIS DEPARTMENT OF TRANSPORTATION  
TRAFFIC SYSTEMS CENTER  
**TYPICAL RAMP METERING  
TYPE 3 BARRIER WALL  
INSTALLATION**

SCALE: VERT. NONE  
HORIZ. 1/8"=1'

DATE: 6-22-94

DRAWN BY: G.M.  
CHECKED BY: R.L.

**TRAFFIC SYSTEMS CENTER (TY-1TSC-400#3)**

FILE NAME -	DESIGNED - GHT	REVISED -
...ppr1n_ABC.C2.TS.DET_03.dgn	DRAWN - TMB	REVISED -
USER NAME - tblank	CHECKED - MPM	REVISED -
PLOT DATE - 1/25/2010	DATE - 1/25/10	REVISED -

**benesch**

STATE OF ILLINOIS  
DEPARTMENT OF TRANSPORTATION

TRAFFIC SYSTEMS CENTER DETAIL SHEETS	F.A.I. RTE. 290	SECTION (313), ETC., 3435RS-6	COUNTY COOK	TOTAL SHEETS 215	SHEET NO. 185
SCALE: N.T.S.	SHEET NO. 3 OF 17 SHEETS	STA.	TO STA.	CONTRACT NO. 60K10	
FED. ROAD DIST. NO. ILLINOIS FED. AID PROJECT					