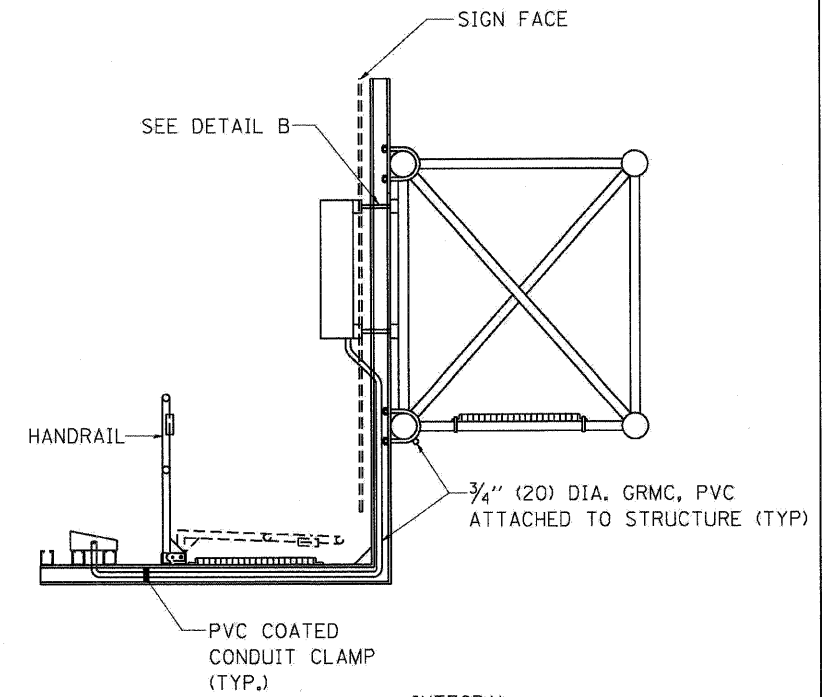
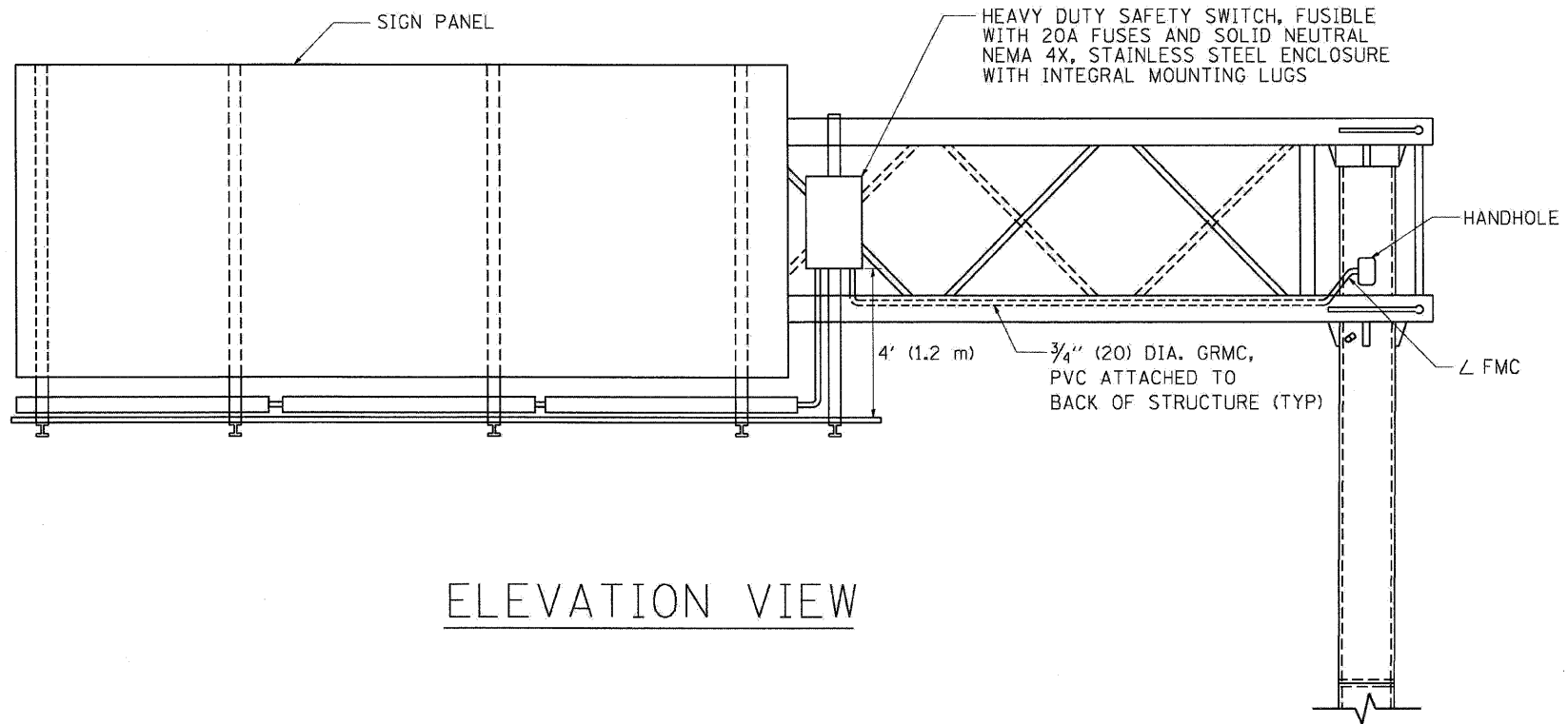


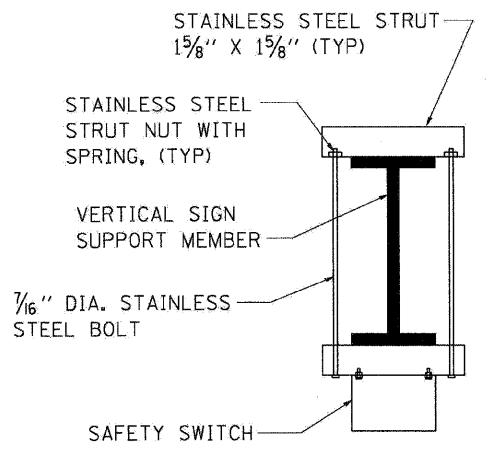
TOP VIEW



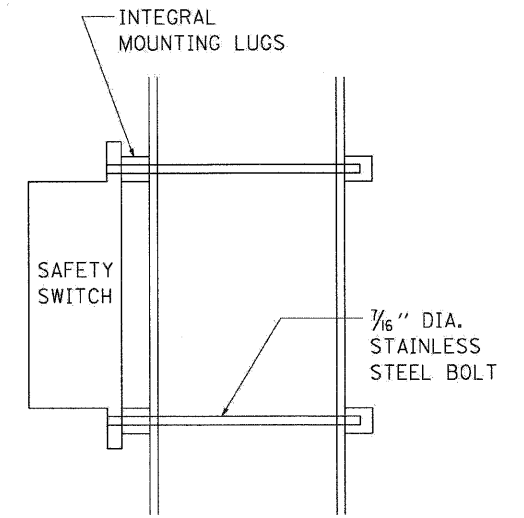
DETAIL B



ELEVATION VIEW



TOP VIEW



SIDE VIEW

FILE NAME =	DESIGNED - AJP	REVISED -
\\prpln\abc\c2\dl\BE-601B.dgn	DRAWN - TMB	REVISED -
USER NAME = tblank	CHECKED - JMM	REVISED -
PLOT DATE = 1/25/2010	DATE - 1/25/10	REVISED -

benesch

**STATE OF ILLINOIS
DEPARTMENT OF TRANSPORTATION**

ELECTRIC CONNECTION TO SIGN STRUCTURE CANTILEVER TYPE

SCALE: N.T.S. SHEET NO. 8 OF 16 SHEETS STA. TO STA.

F.A.I. RTE.	SECTION	COUNTY	TOTAL SHEETS	SHEET NO.
290	(313), ETC., 3435RS-6	COOK	215	207
FED. ROAD DIST. NO.			ILLINOIS FED. AID PROJECT	
			CONTRACT NO. 60K10	

BE-601