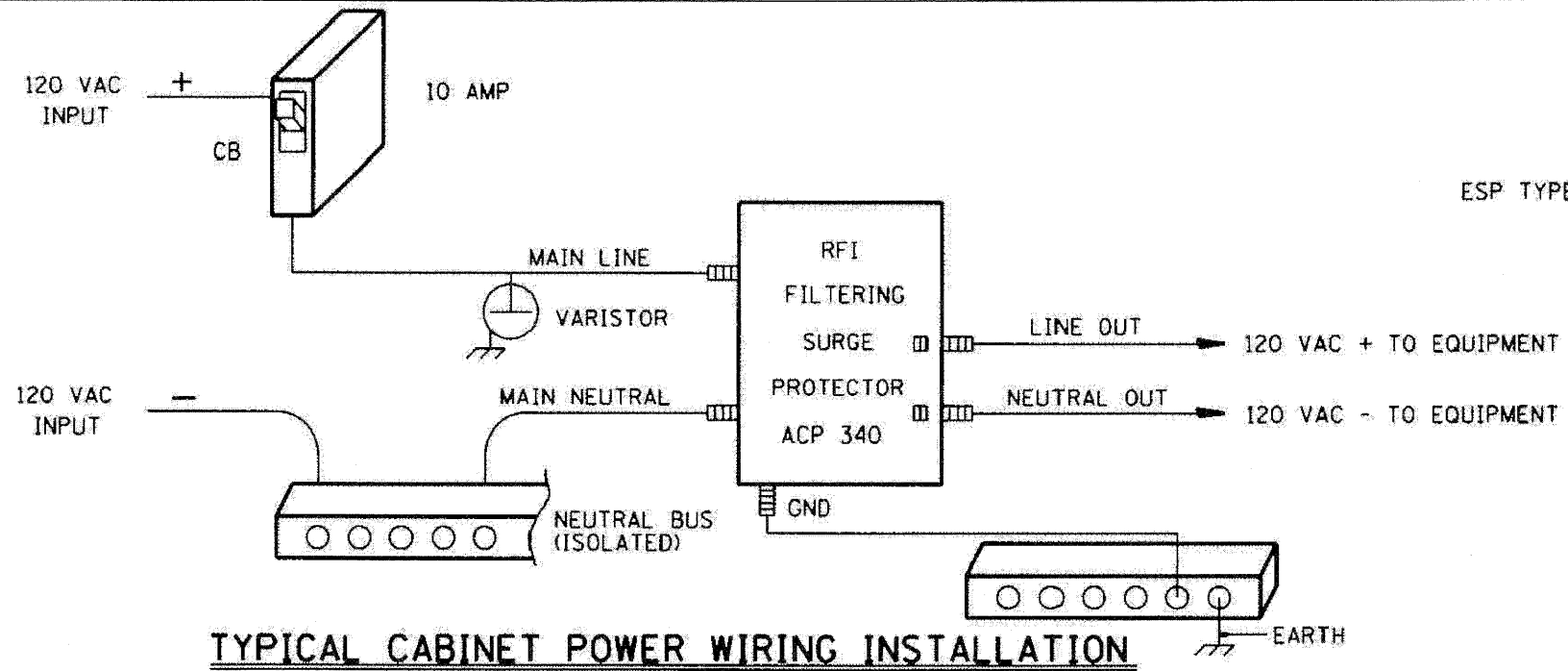
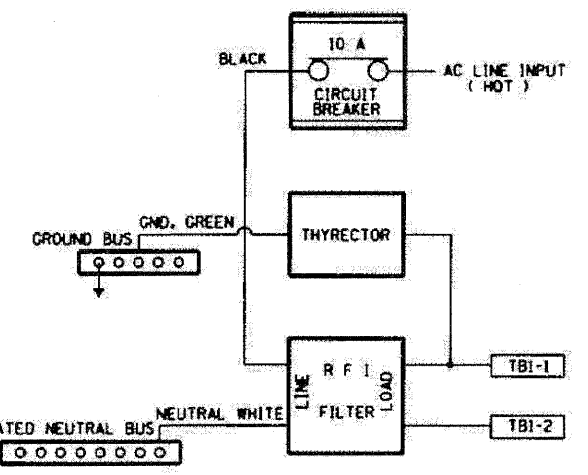
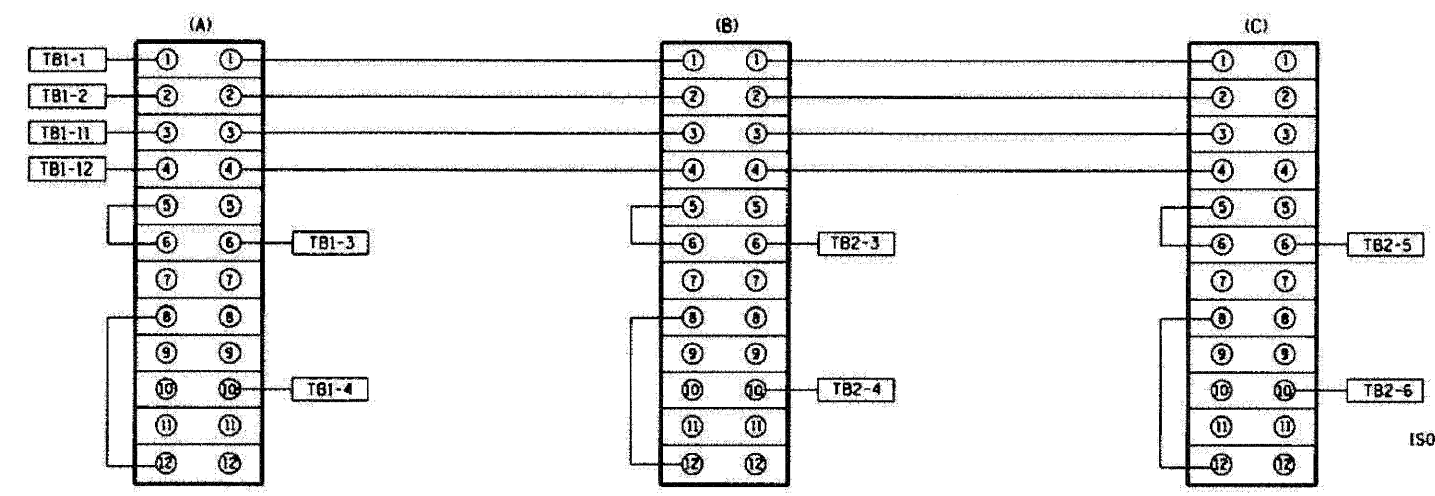


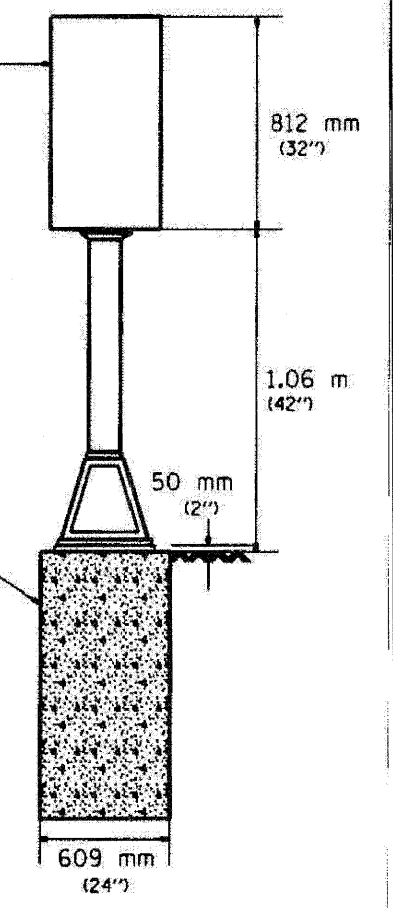
F.A. RTE.	SECTION	COUNTY	TOTAL SHEETS NO.	SHEET NO.
STA.	TO STA.			
FED. ROAD DIST. NO.		ILLINOIS FED. AID PROJECT		



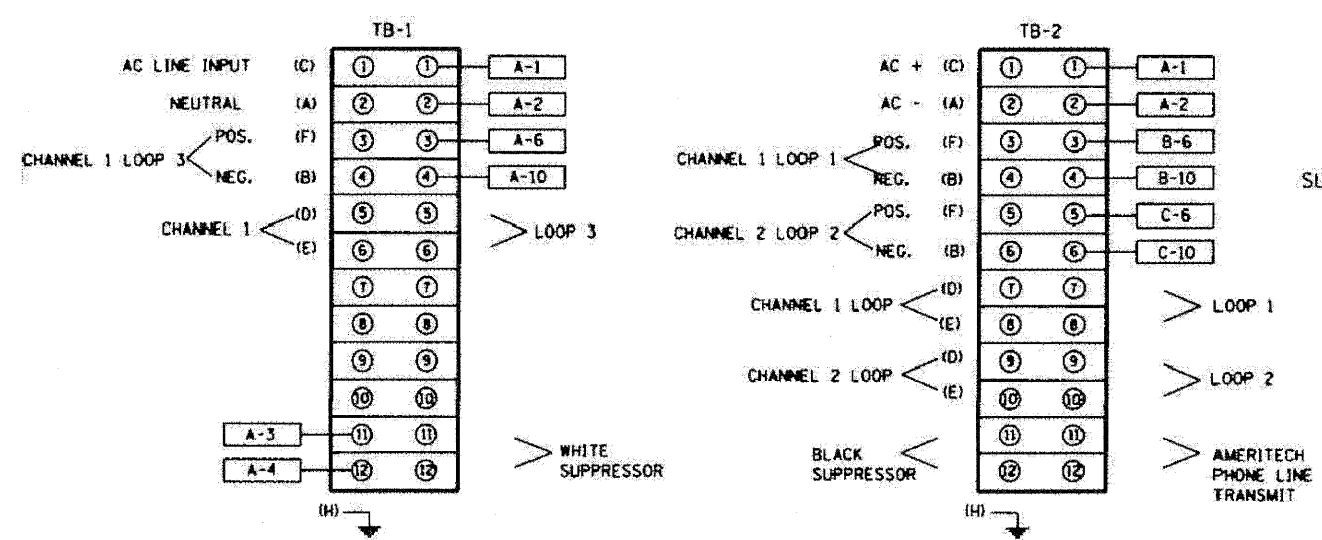
TYPICAL CABINET POWER WIRING INSTALLATION



ESP TYPE 2 CABINET PEDESTAL MOUNTED



TYPE 2 CABINET INSTALLATION



REVISIONS	
NO.	DATE

ILLINOIS DEPARTMENT OF TRANSPORTATION
TRAFFIC SYSTEMS CENTER

TYPE II CABINET WIRING

SCALE: VERT. NONE
DATE: 6-21-94

DRAWN BY: G.M.
CHECKED BY: T.C.

TRAFFIC SYSTEMS CENTER (TY-1TSC-400#5)

FILE NAME =	DESIGNED - GHT	REVISED -
...prpln_abc_c3_ts_det_84.dgn	DRAWN - DMS	REVISED -
USER NAME = jwojewski	CHECKED - MPM	REVISED -
PLOT DATE = 1/25/2010	DATE - 1/25/10	REVISED -

benesch

STATE OF ILLINOIS
DEPARTMENT OF TRANSPORTATION

TRAFFIC SYSTEM CENTER
DETAIL SHEETS

SCALE: N.T.S. SHEET NO. 12 OF 23 SHEETS STA. TO STA.

F.A. RTE.	SECTION	COUNTY	TOTAL SHEETS NO.	SHEET NO.
290	(2525, ETC., 2727RS-8)	COOK	201	170
FED. ROAD DIST. NO.		ILLINOIS FED. AID PROJECT		
		CONTRACT NO. 60K11		