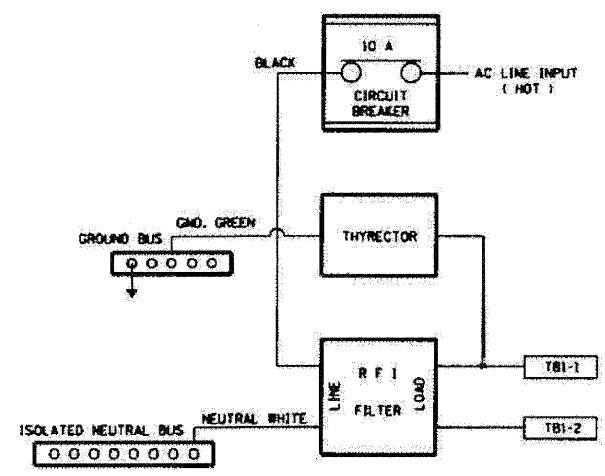
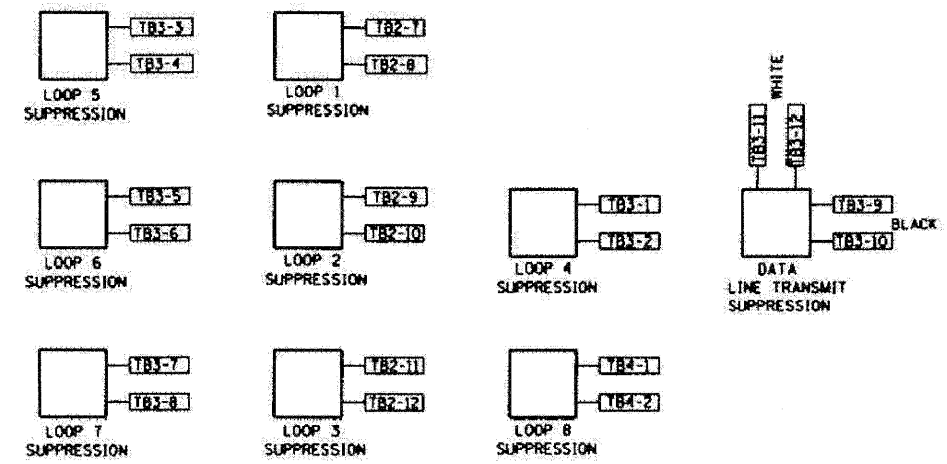
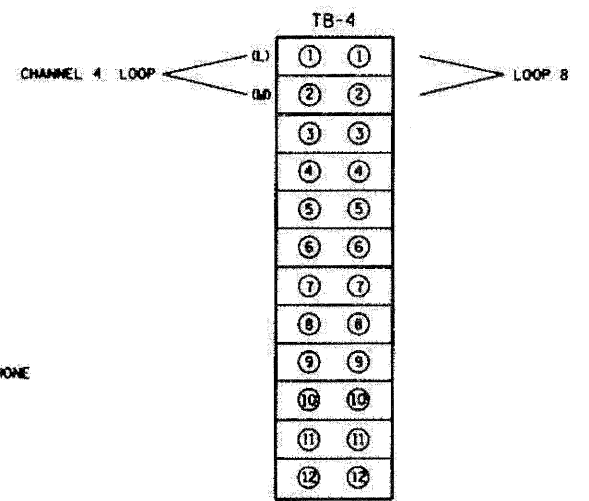
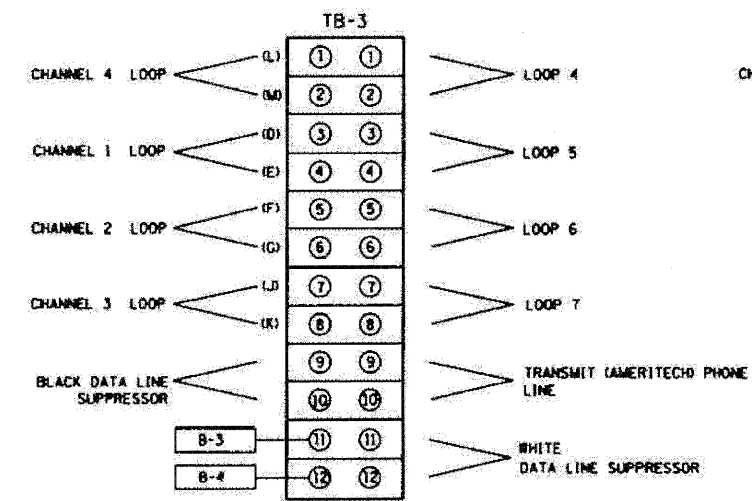
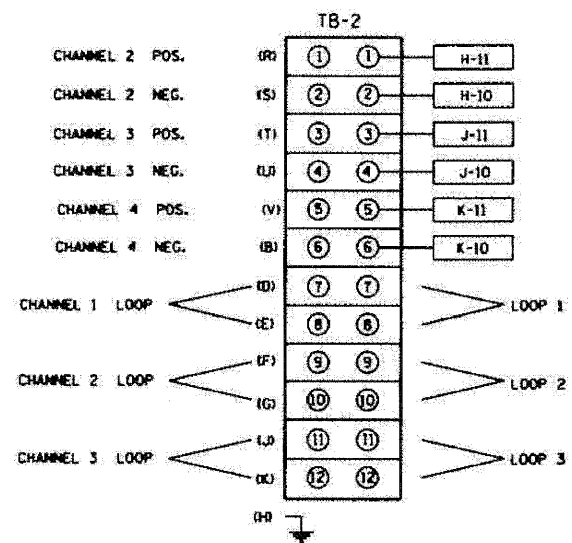
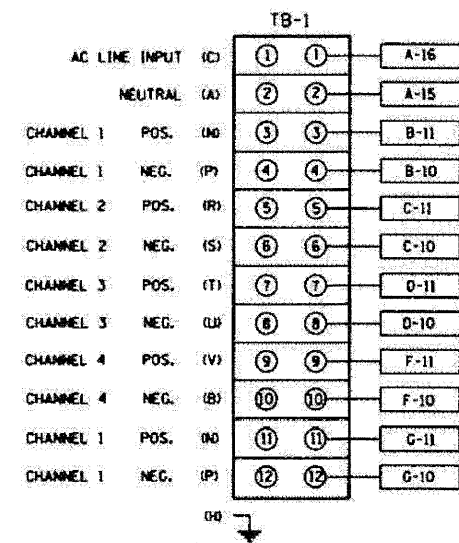
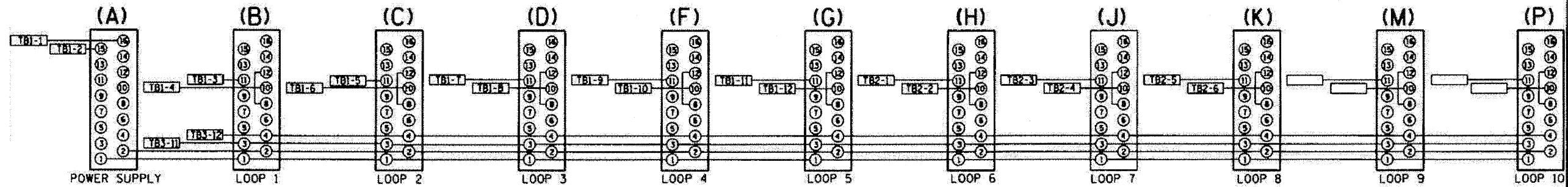


F.A.I. RTE.	SECTION	COUNTY	TOTAL SHEETS	SHEET NO.
STA.	TO STA.			
FED. ROAD DIST. NO.	ILLINOIS FED. AID PROJECT			

BACK VIEW OF TONE RACK



CABINET NO.		ILLINOIS DEPARTMENT OF TRANSPORTATION TRAFFIC SYSTEMS CENTER	
TYPE 3 CABINET WIRING DIAGRAM		SCALE: NONE DATE: 10/17/85	
DRAWN BY: G.M.		CHECKED BY: R.L.	

TRAFFIC SYSTEMS CENTER (TY-1TSC-400#13)

FILE NAME =	DESIGNED - GHT	REVISED -
...prpln-ABC_C3_TS_DET_06.dgn	DRAWN - DMS	REVISED -
USER NAME = jmajewski	CHECKED - MPM	REVISED -
PLOT DATE = 1/25/2010	DATE = 1/25/10	REVISED -

benesch

STATE OF ILLINOIS
DEPARTMENT OF TRANSPORTATION

TRAFFIC SYSTEM CENTER DETAIL SHEETS	
SCALE: N.T.S.	SHEET NO. 14 OF 23 SHEETS
STA.	TO STA.

F.A.I. RTE.	SECTION	COUNTY	TOTAL SHEETS	SHEET NO.
290	(2525, ETC., 2727)RS-8	COOK	201	172
FED. ROAD DIST. NO.		ILLINOIS FED. AID PROJECT		