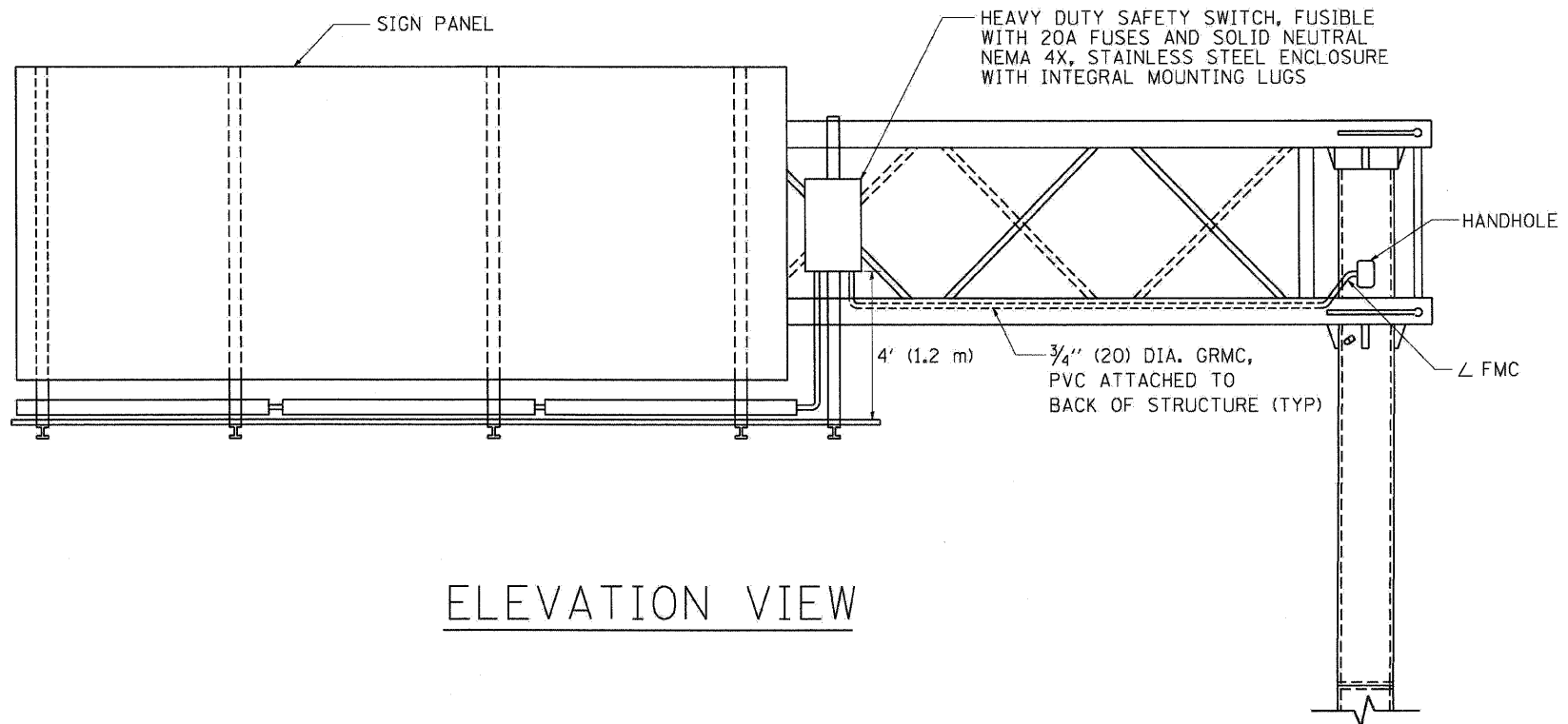
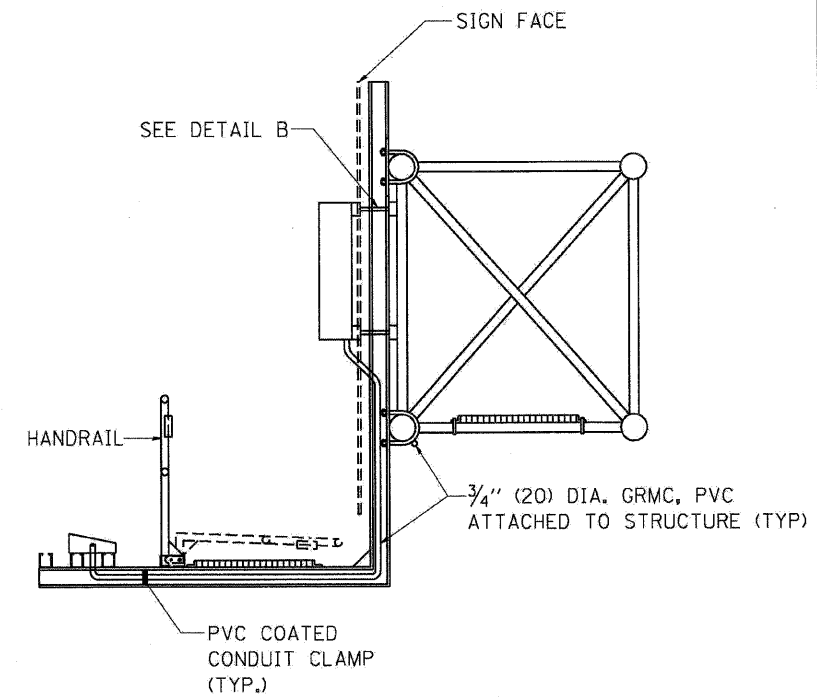
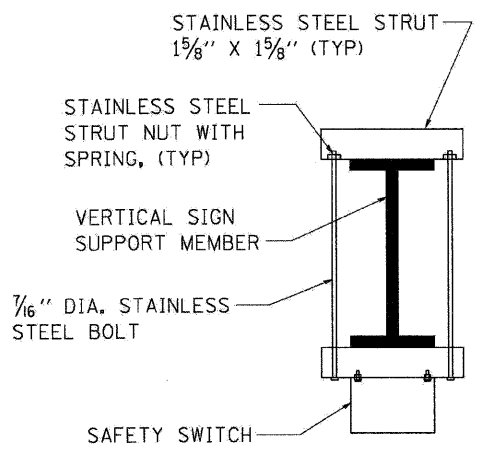


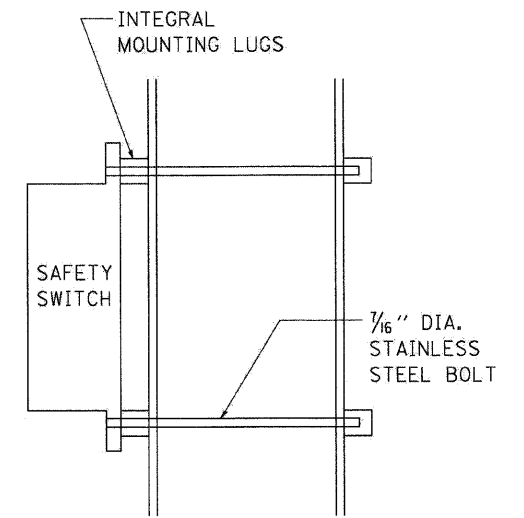
TOP VIEW



ELEVATION VIEW



TOP VIEW



SIDE VIEW

DETAIL B

FILE NAME =	DESIGNED - AJP	REVISED -
USER NAME = jma_jawski	DRAWN - TMB	REVISED -
PL01 DATE = 1/25/2010	CHECKED - JMM	REVISED -
	DATE - 1/25/10	REVISED -

**benesch**

**STATE OF ILLINOIS  
DEPARTMENT OF TRANSPORTATION**

**ELECTRIC CONNECTION TO SIGN STRUCTURE CANTILEVER TYPE**

SCALE: N.T.S. SHEET NO. 8 OF 20 SHEETS STA. TO STA.

F.A.I. RTE.	SECTION	COUNTY	TOTAL SHEETS	SHEET NO.
290	(2525, ETC., 2727)RS-8	COOK	201	189
FED. ROAD DIST. NO. [ILLINOIS] FED. AID PROJECT			CONTRACT NO. 60K11	

BE-601