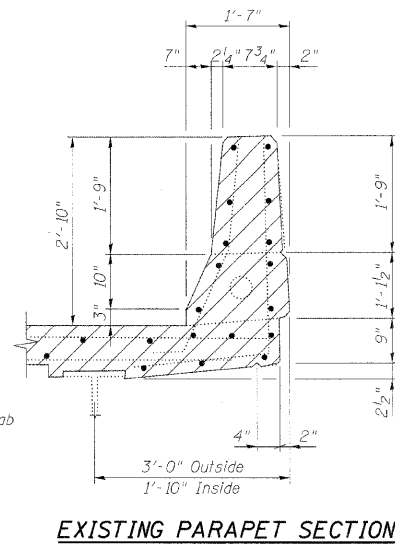
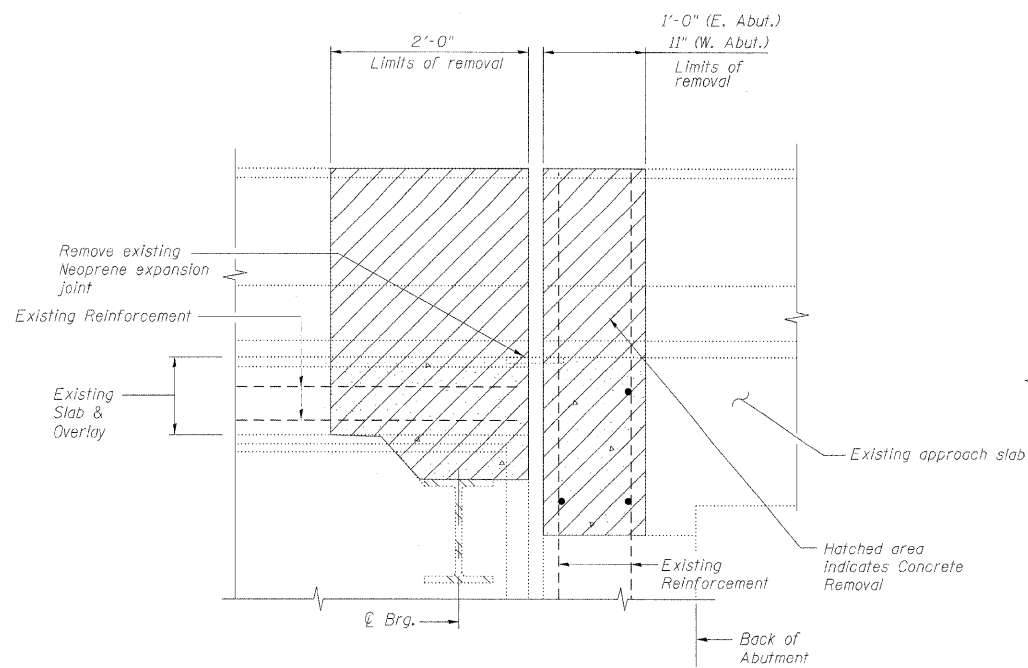
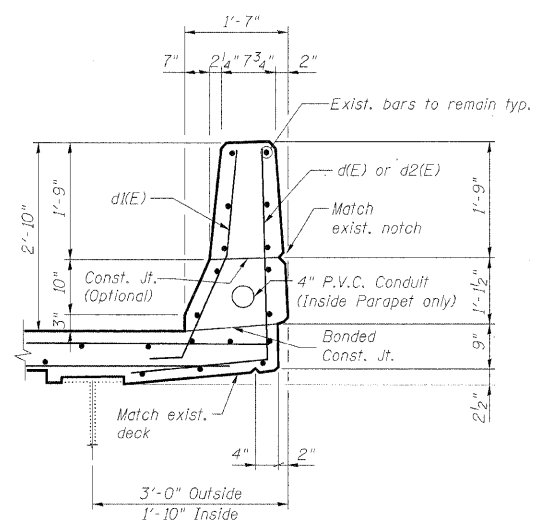
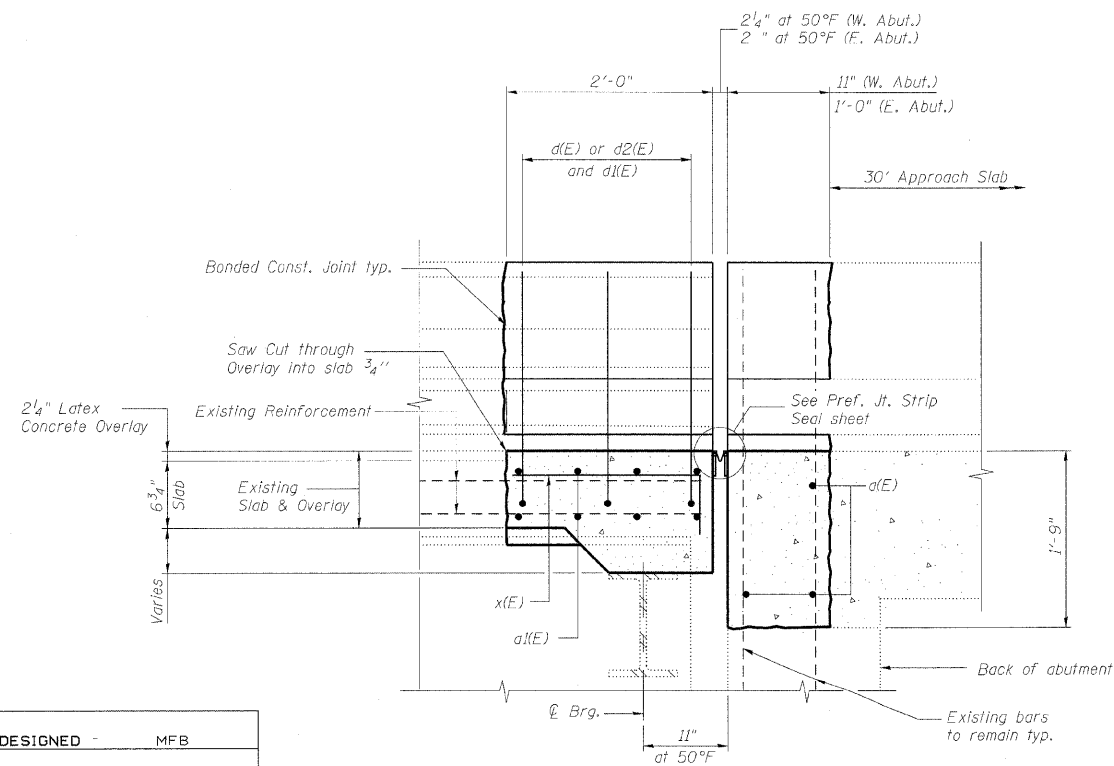


STATE OF ILLINOIS
DEPARTMENT OF TRANSPORTATION



SECTION A-A



PROPOSED PARAPET SECTION

Notes:

- Existing reinforcement bars extending into the concrete removal area shall be blast-cleaned, straightened and incorporated into the new construction. Any reinforcement bars that are damaged during concrete removal shall be repaired or replaced with an approved bar splicer or anchorage system. Cost included with Concrete Removal.
- Existing reinforcement bars in the concrete removal area parallel to the expansion joints shall be removed.
- Removal and disposal of the existing expansion joints will not be paid for separately, but shall be included with the cost of Concrete Removal.
- If existing name plate falls within the limits of Concrete Removal, it shall be removed and reinstalled in its original location in accordance with IDOT Std. 51500I. Cost included with Concrete Superstructure.
- If existing guardrail and/or end shoe falls within the limits of Concrete Removal, they shall be removed and reinstalled in its original location in accordance with District 1 Std. BM-2I. Cost included with Concrete Superstructure.
- The Contractor shall exercise extreme care with the existing conduits in sections of the parapet to be removed and shall protect and support the conduit. The Contractor will be required to repair any damage done to the conduit to the satisfaction of the Engineer at no additional cost to the Department. No splicing will be allowed to any cable damage resulting from this work. Instead the Contractor will be required to repair the entire span of any damaged cable at no additional cost to the department.
- Work this sheet with Expansion Joint Repairs sheet.

DESIGNED	MFB
CHECKED	KWS
DRAWN	VH
CHECKED	KWS

SECTION B-B

EXPANSION JOINT DETAILS
STRUCTURE NO. 016-0094

benesch

alfred benesch & company
Engineers • Surveyors • Planners
205 North Michigan Avenue, Suite 2400
Chicago, Illinois 60601
312-565-0450 Job No. 10050

SHEET NO. 6 8 SHEETS	F.A.I. RTE.	SECTION	COUNTY	TOTAL SHEETS	SHEET NO.
	290	(2727, ETC., 3131)RS-7	COOK	216	164
FED. ROAD DIST. NO.			ILLINOIS	FED. AID PROJECT	
			CONTRACT NO. 60G53		