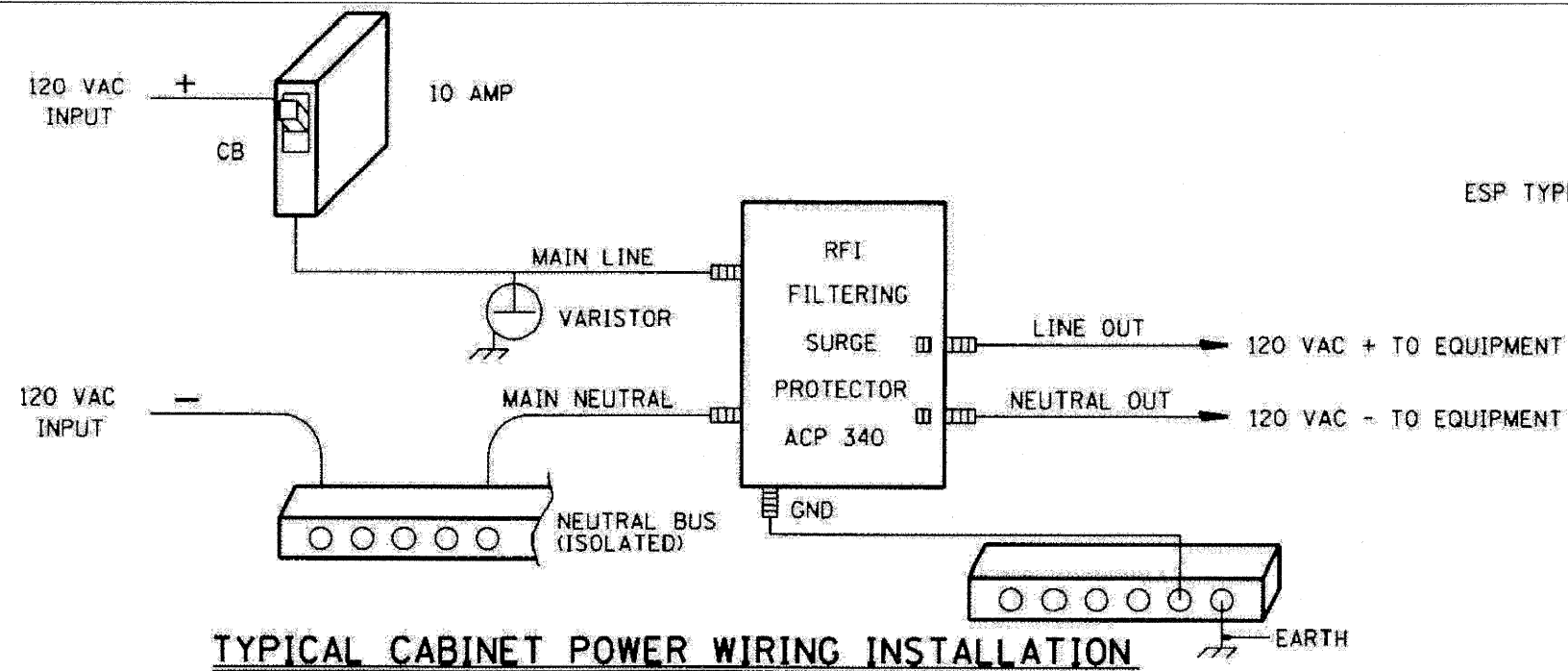
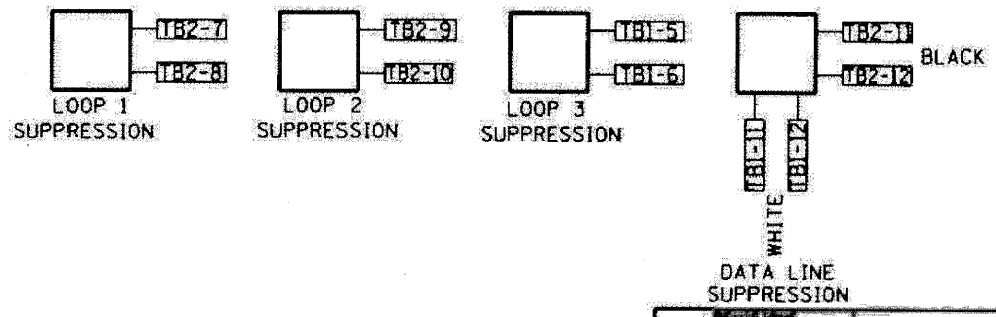
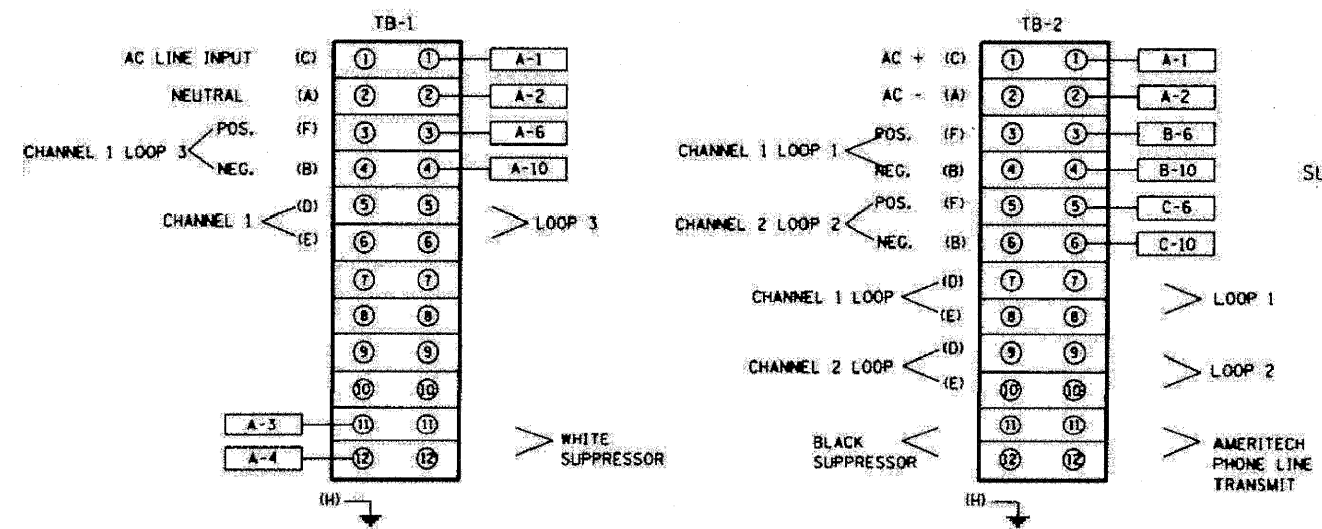
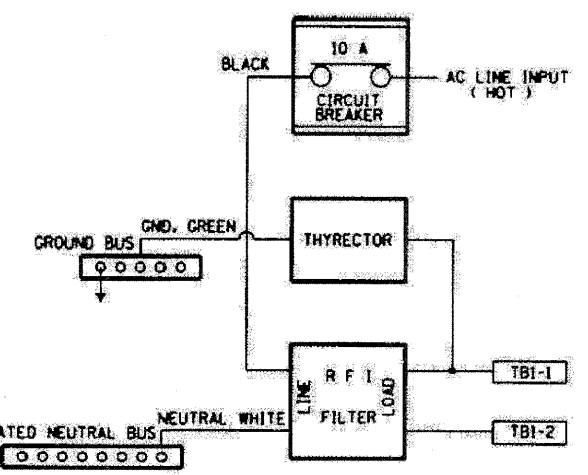
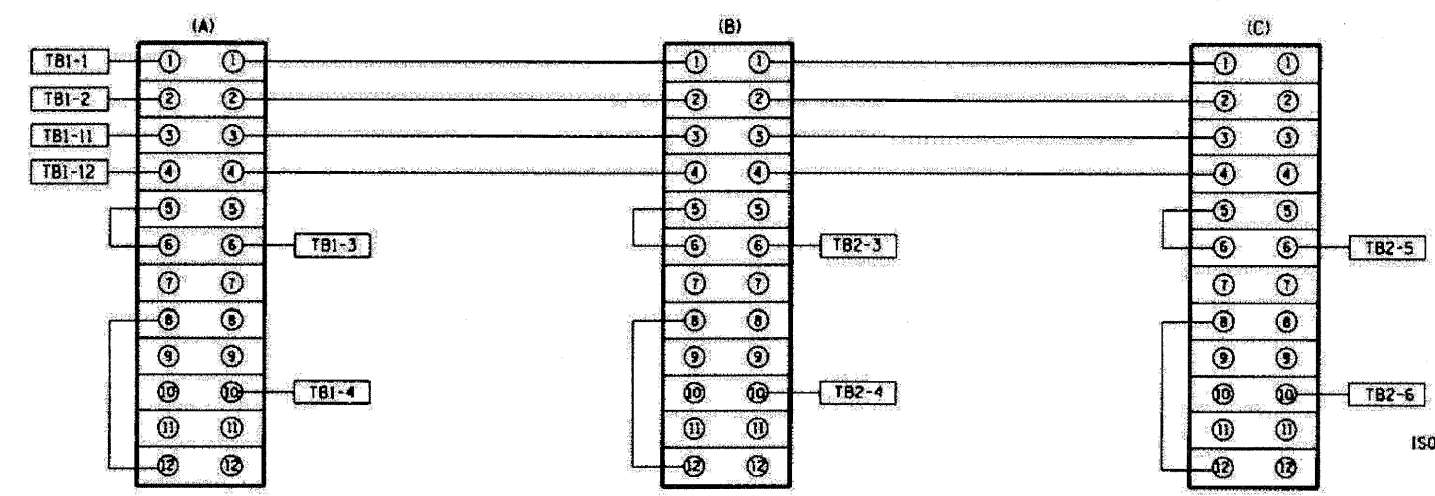
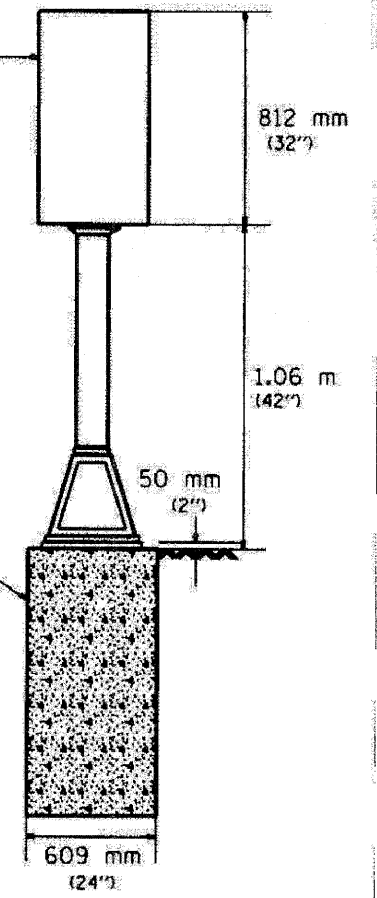


F.A. RTE.	SECTION	COUNTY	TOTAL SHEETS	SHEET NO.
STA.	TO STA.			
FED. ROAD DIST. NO.	ILLINOIS FED. AID PROJECT			



ESP TYPE 2 CABINET PEDESTAL MOUNTED



REVISIONS	
NO.	DATE

ILLINOIS DEPARTMENT OF TRANSPORTATION
TRAFFIC SYSTEMS CENTER
TYPE II CABINET WIRING

SCALE: VERT. NONE
DATE: 4-21-94

DRAWN BY: C.M.
CHECKED BY: T.C.

TRAFFIC SYSTEMS CENTER (TY-1TSC-400#5)

FILE NAME =	DESIGNED - GHT	REVISED -
\\prp.in.abc.c3.ts.d01.04.dgn	DRAWN - DMS	REVISED -
USER NAME = jmajewski	CHECKED - MPM	REVISED -
PLOT DATE = 1/25/2010	DATE - 1/25/10	REVISED -

benesch

STATE OF ILLINOIS
DEPARTMENT OF TRANSPORTATION

TRAFFIC SYSTEM CENTER
DETAIL SHEETS

SCALE: N.T.S. SHEET NO. 4 OF 15 SHEETS STA. TO STA.

F.A.I. RTE.	SECTION	COUNTY	TOTAL SHEETS	SHEET NO.
290	(2727, ETC., 3131)RS-7	COOK	216	185
FED. ROAD DIST. NO.	ILLINOIS FED. AID PROJECT			
			CONTRACT NO. 60G53	