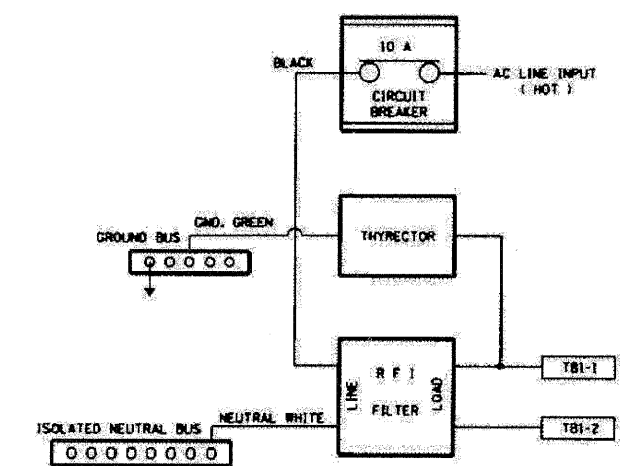
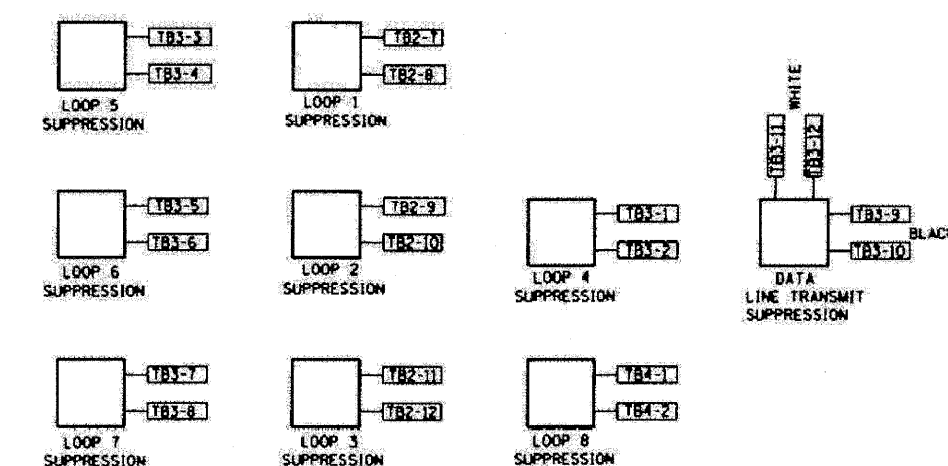
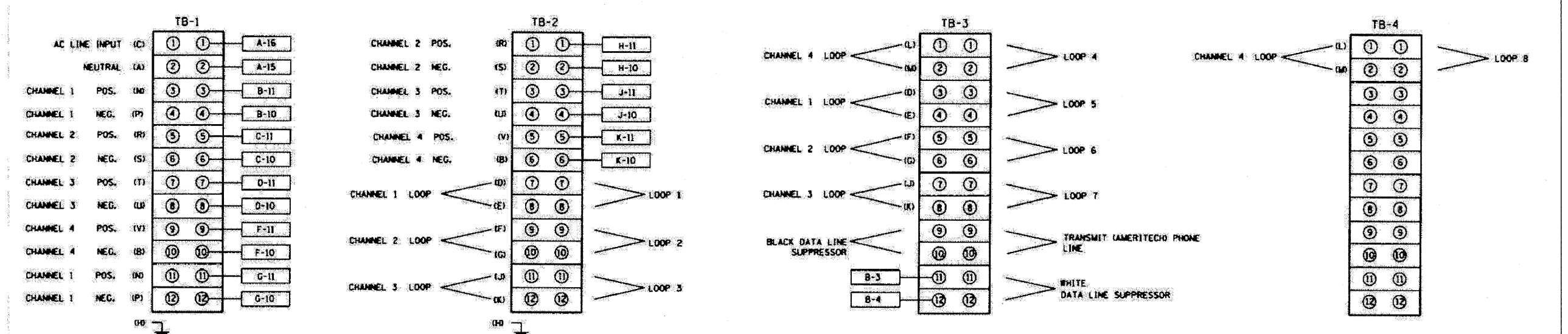
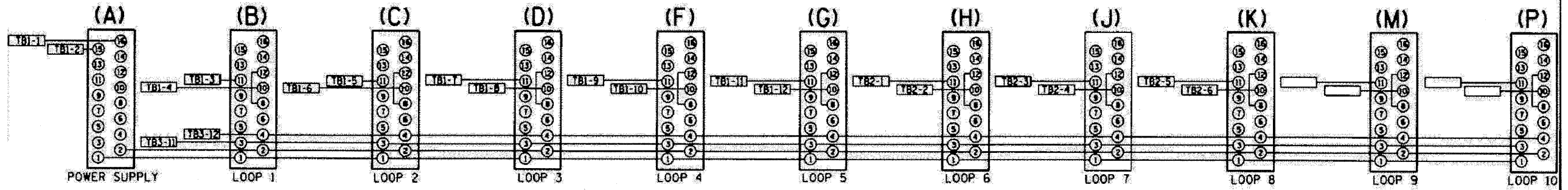


F.A.I. RTE.	SECTION	COUNTY	TOTAL SHEETS	SHEET NO.
STA.	TO STA.			
FED. ROAD DIST. NO.	ILLINOIS FED. AID PROJECT			

BACK VIEW OF TONE RACK



CABINET NO.		REVISIONS	
NO.	DATE	BY	DATE
1	7/78	RL	
2	9/78	RL	
ILLINOIS DEPARTMENT OF TRANSPORTATION TRAFFIC SYSTEMS CENTER		SCALE: NEXT NONE	
TYPE 3 CABINET WIRING DIAGRAM		DATE 10/17/85	
DRAWN BY G.M.		CHECKED BY R.L.	

TRAFFIC SYSTEMS CENTER (TY-1TSC-400#13)

FILE NAME =	DESIGNED - GHT	REVISED -
...\\ppln\abc\c3\ts DET_06.dgn	DRAWN - DMS	REVISED -
USER NAME = jmajewski	CHECKED - MPM	REVISED -
PLOT DATE = 1/25/2010	DATE - 1/25/10	REVISED -

benesch
STATE OF ILLINOIS
DEPARTMENT OF TRANSPORTATION

TRAFFIC SYSTEM CENTER DETAIL SHEETS	
SCALE: N.T.S.	SHEET NO. 6 OF 15 SHEETS
STA.	TO STA.

F.A.I. RTE.	SECTION	COUNTY	TOTAL SHEETS	SHEET NO.
290	(2727, ETC., 3131)RS-7	COOK	216	187
FED. ROAD DIST. NO.		ILLINOIS FED. AID PROJECT		
		CONTRACT NO. 60653		