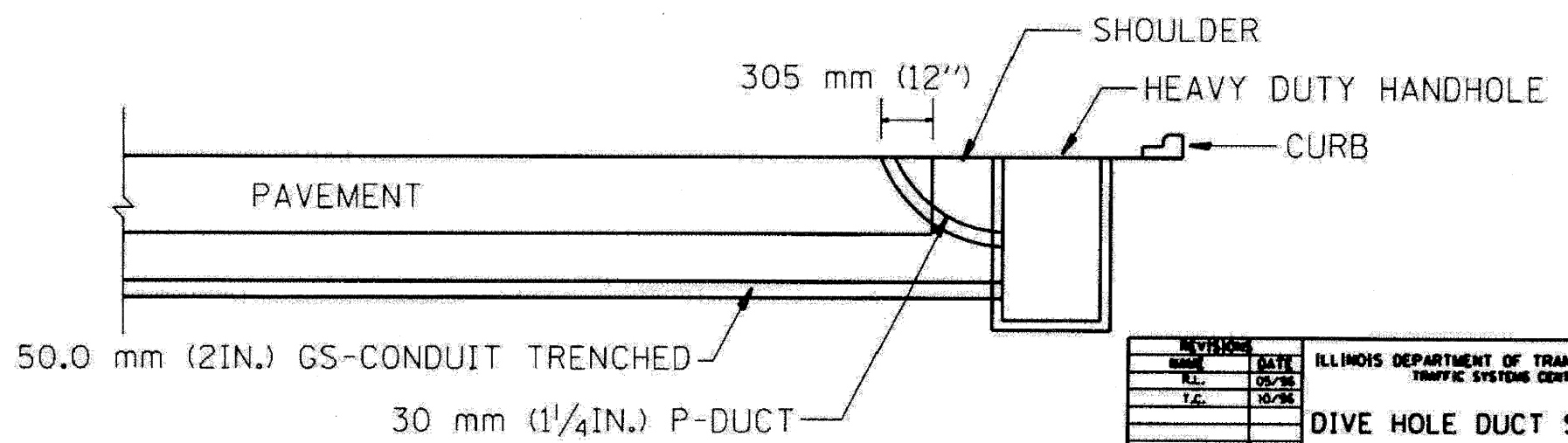
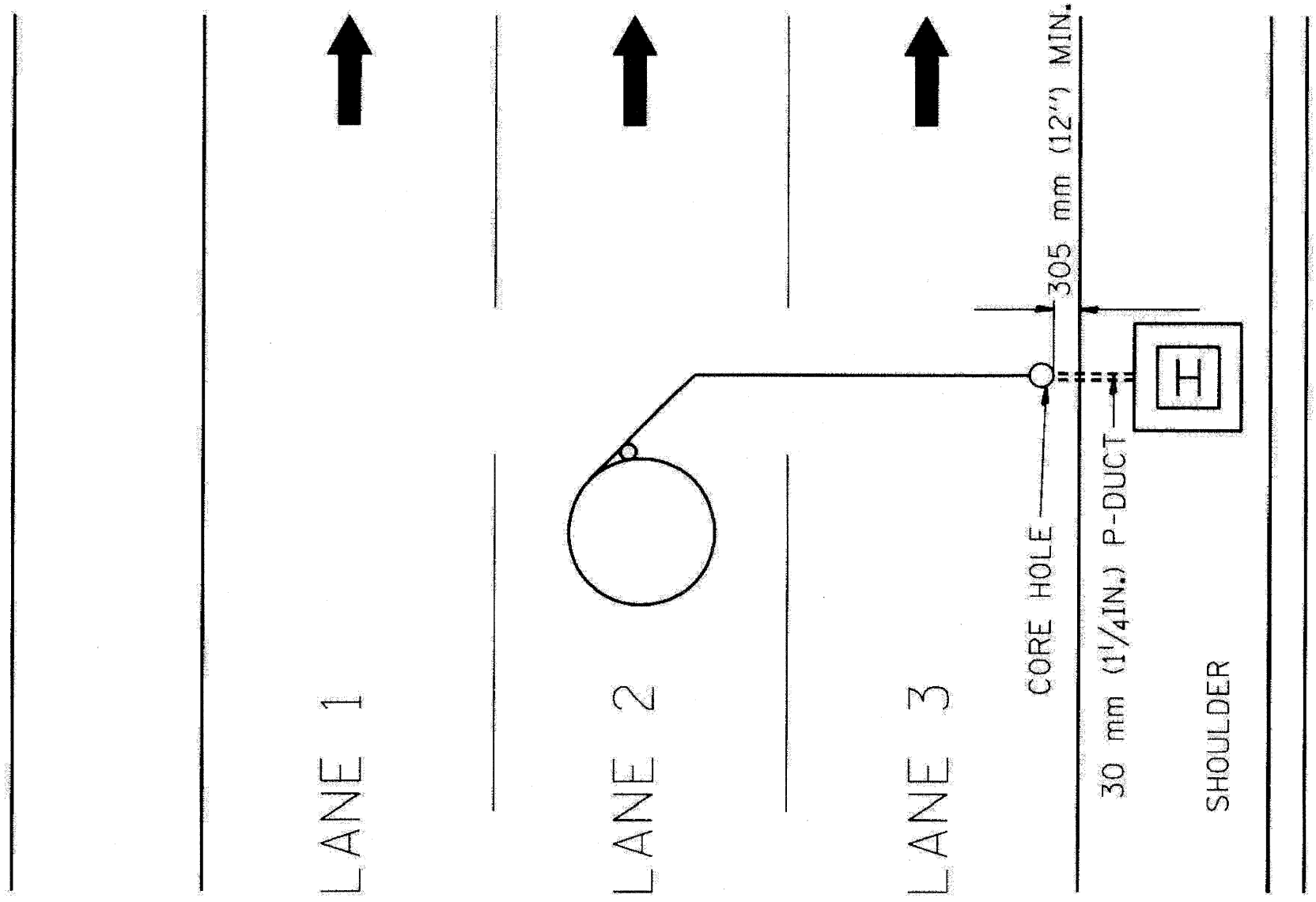


F.A. RTE.	SECTION	COUNTY	TOTAL SHEETS	SHEET NO.
STA. _____		TO STA. _____		
FED. ROAD DIST. NO. _____		ILLINOIS FED. AID PROJECT _____		



REVISION	DATE
R.L.	05/96
T.C.	10/96

ILLINOIS DEPARTMENT OF TRANSPORTATION
TRAFFIC SYSTEMS CENTER

DIVE HOLE DUCT SYSTEM

SCALE: VERT. NONE
DATE 11/7/95

DRAWN BY: G.M.
CHECKED BY: R.L.

TRAFFIC SYSTEMS CENTER (TY-1TSC-418#8)

FILE NAME -	DESIGNED - GHT	REVISED -
...prip1n_ABC.C3.TS_DET_13.dgn	DRAWN - DMS	REVISED -
USER NAME - jmajewski	CHECKED - MPM	REVISED -
PLDT DATE - 1/25/2010	DATE - 1/25/10	REVISED -

benesch

STATE OF ILLINOIS
DEPARTMENT OF TRANSPORTATION

TRAFFIC SYSTEM CENTER DETAIL SHEETS	
SCALE: N.T.S.	SHEET NO. 13 OF 15 SHEETS
STA. _____	TO STA. _____

F.A. RTE.	SECTION	COUNTY	TOTAL SHEETS	SHEET NO.
290	(2727, ETC., 313)RS-7	COOK	216	194
FED. ROAD DIST. NO. _____		ILLINOIS FED. AID PROJECT _____		
		CONTRACT NO. 60G53		