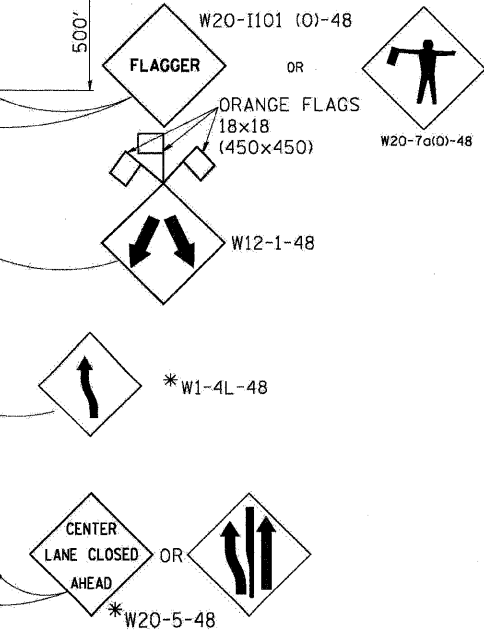


CENTER LANE CLOSURE

TYPE I CHECK BARRICADES AT 100' (30 m) CENTERS

DRUMS AT 50' (15 m) CENTERS

300' MIN. (90 m)
35:1 (MIN.) TAPER
500' (150 m) MIN.

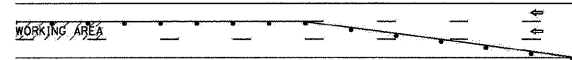


SIGNING & BARRICADING ACCORDING TO FREEWAY STANDARD FOR A ONE LANE CLOSURE

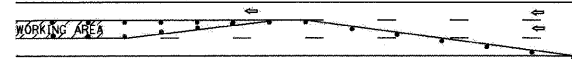
1. DAY OPERATIONS: CONES SHALL BE USED AT 25' (8 m) CENTERS ON TAPERS AND AT 50' (15 m) CENTERS ON TANGENTS.
2. NIGHT OPERATIONS: DRUMS WITH STEADY BURN LIGHTS SHALL BE USED AT 50' (15 m) CENTERS ON ALL TAPERS AND TANGENTS IN ADVANCE OF WORK AREA.
3. CLOSURE SHALL BE USED ONLY FOR OPERATIONS LASTING 72 HOURS OR LESS.

INSTALLATION SEQUENCE

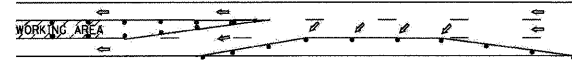
1. CLOSE LANES 1&2



2. ERECT INSIDE LANE 2 TAPER



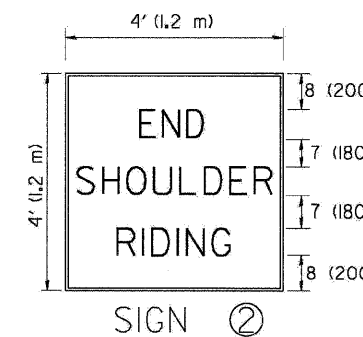
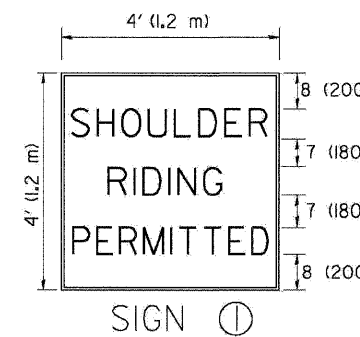
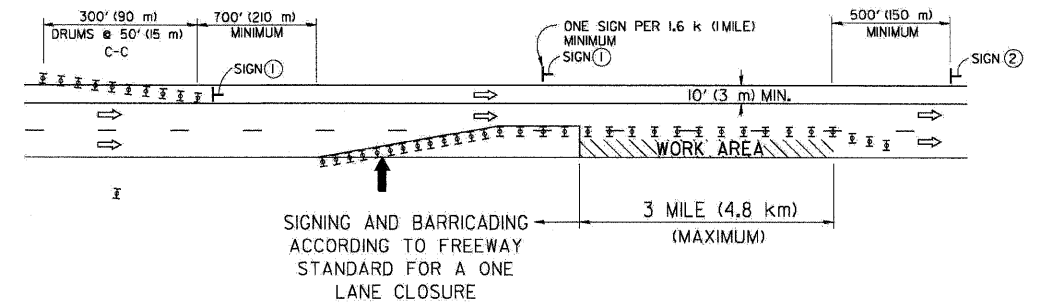
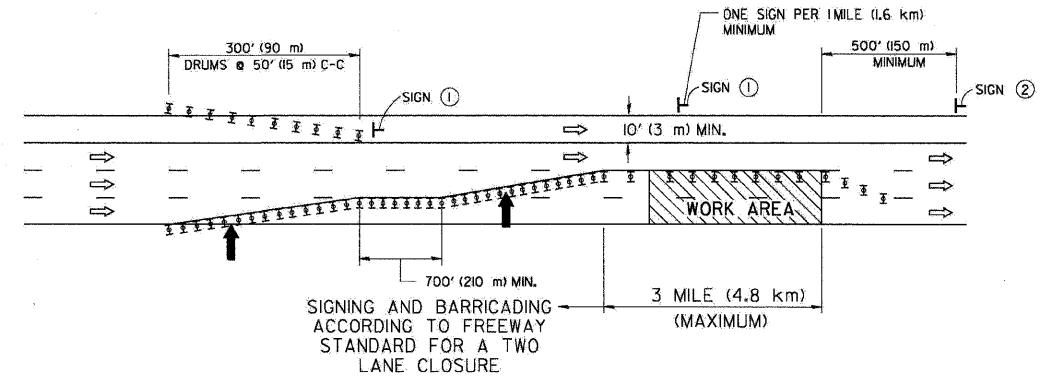
3. OPEN LANE 2 BY RELOCATING FIRST TAPER



4. REMOVE CLOSURE IN REVERSE ORDER

SHOULDER LANE

NOTE: CLOSURE SHALL BE USED ONLY FOR OPERATIONS LASTING 72 HOURS OR LESS.



6 (150) SERIES 'C' LEGEND
BLACK LEGEND
WHITE REFLECT, BACKGROUND
(25) BORDER

SYMBOLS

- ↑ DIRECTION OF TRAFFIC
- ➔ ARROWBOARD
- ▨ WORK AREA
- ◇ SIGN WITH 18x18 (450x450) ORANGE FLAGS ATTACHED *
- ┌ SIGN ON PORTABLE OR PERMANENT SUPPORT *
- ⊥ TYPE II BARRICADE, DRUM OR VERTICAL BARRICADE WITH MONO-DIRECTIONAL STEADY BURN LIGHT

TC-25

ALL DIMENSIONS ARE IN INCHES (MILLIMETERS) UNLESS OTHERWISE SHOWN

* ALL SIGNS SHALL BE MOUNTED AT A MINIMUM HEIGHT OF 5' (1.5 m).

FILE NAME =	DESIGNED - AJP	REVISED -
...prpln_ABC_C3.D1_TC-25.dgn	DRAWN - TMB	REVISED -
USER NAME = ma_jewski	CHECKED - JMM	REVISED -
PLOT DATE = 1/25/2012	DATE - 1/25/10	REVISED -

benesch

**STATE OF ILLINOIS
DEPARTMENT OF TRANSPORTATION**

**TRAFFIC CONTROL DETAILS FOR FREEWAY
CENTER LANE CLOSURE SHOULDER LANE**

SCALE: N.T.S. SHEET NO. 19 OF 20 SHEETS STA. TO STA.

F.A.I. RTE.	SECTION	COUNTY	TOTAL SHEETS	SHEET NO.
290	(2727, ETC., 3131)RS-7	COOK	216	215
FED. ROAD DIST. NO. [ILLINOIS] FED. AID PROJECT			CONTRACT NO. 60G53	