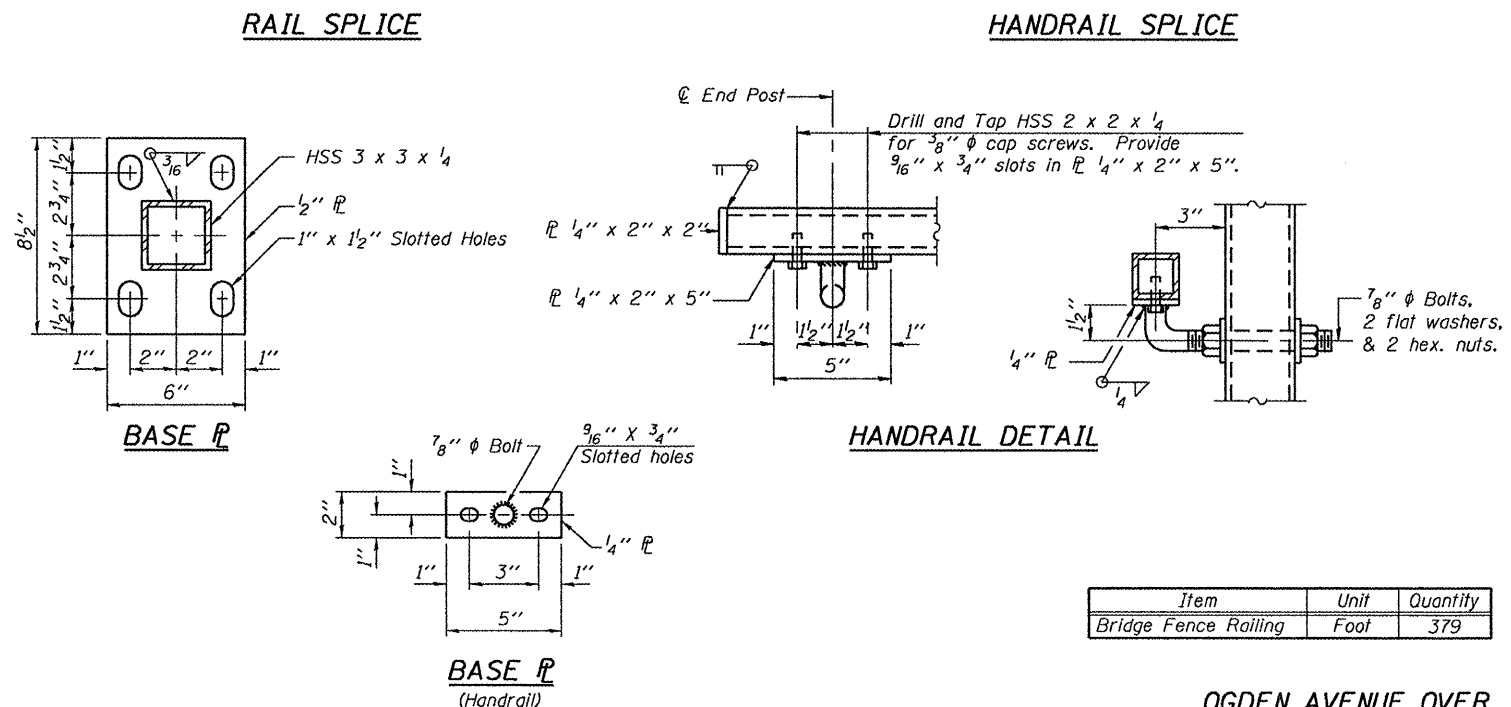
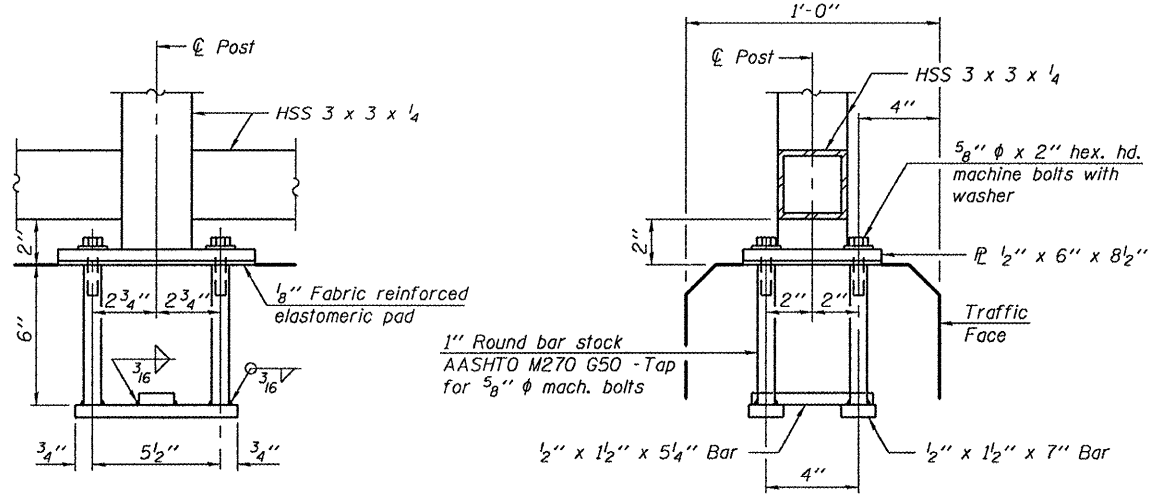
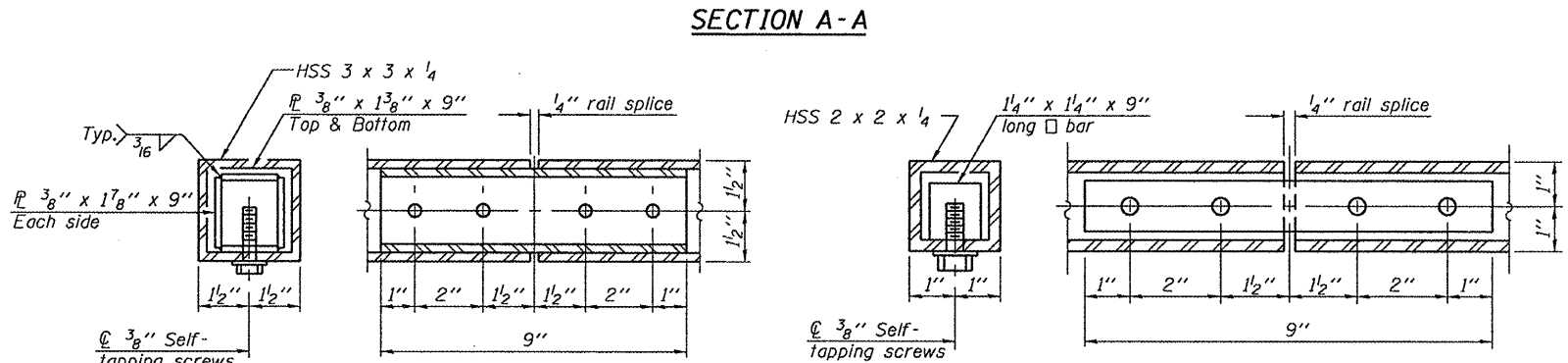
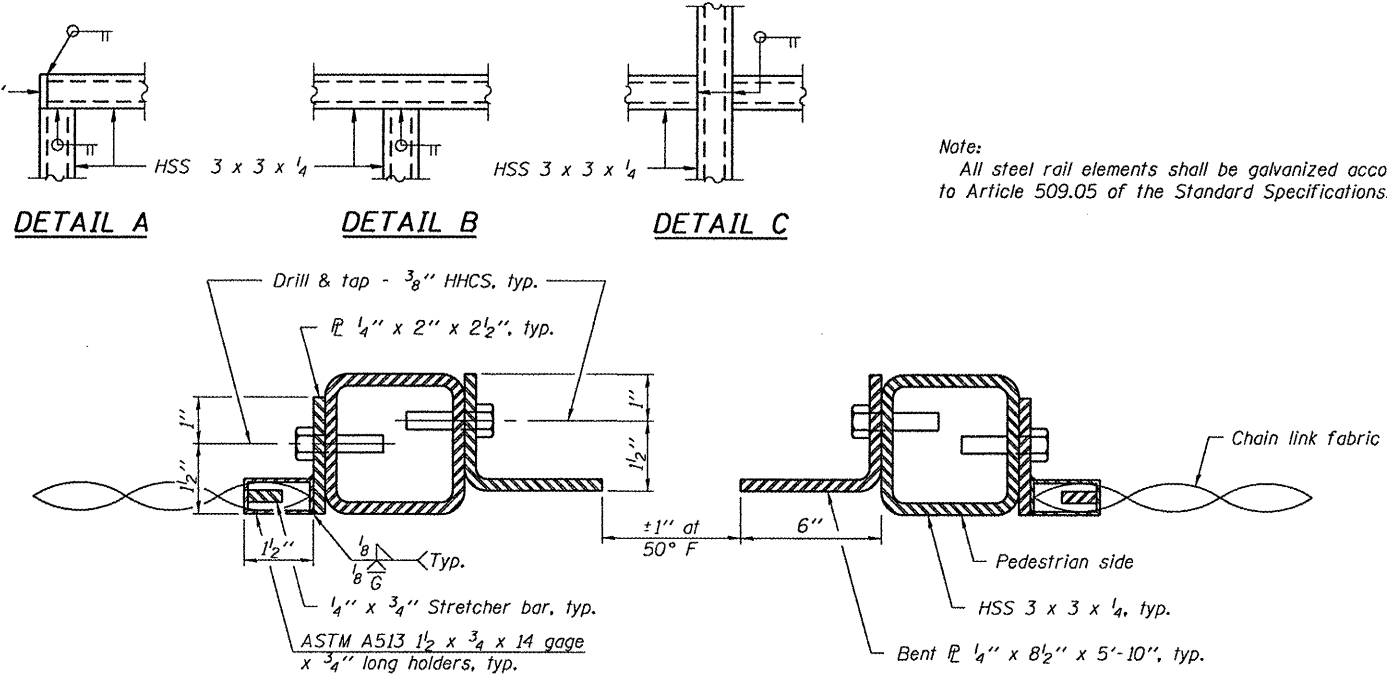


* See sheet 5 of 10 for parapet joint spacing and post spacing.



Item	Unit	Quantity
Bridge Fence Railing	Foot	379

OGDEN AVENUE OVER
F.A.I. ROUTE 290

DESIGNED - MKC	EXAMINED - <i>Jayne F. Jeff</i>	DATE - JANUARY 13, 2011
CHECKED - ADY	ACTING ENGINEER OF STRUCTURAL SERVICES	
DRAWN - Kyle M. Steffen	PASSED - <i>Carl Perry</i>	
CHECKED - MKC	ACTING ENGINEER OF BRIDGES AND STRUCTURES	

STATE OF ILLINOIS
DEPARTMENT OF TRANSPORTATION

BRIDGE FENCE RAILING, PARAPET MOUNTED
SN 016-0235

F.A.I. RTE. 290	SECTION 2010-066-1	COUNTY COOK	TOTAL SHEETS 19	SHEET NO. 12
			CONTRACT NO. 60L48	
ILLINOIS FED. AID PROJECT				

SHEET NO. 7 OF 10 SHEETS