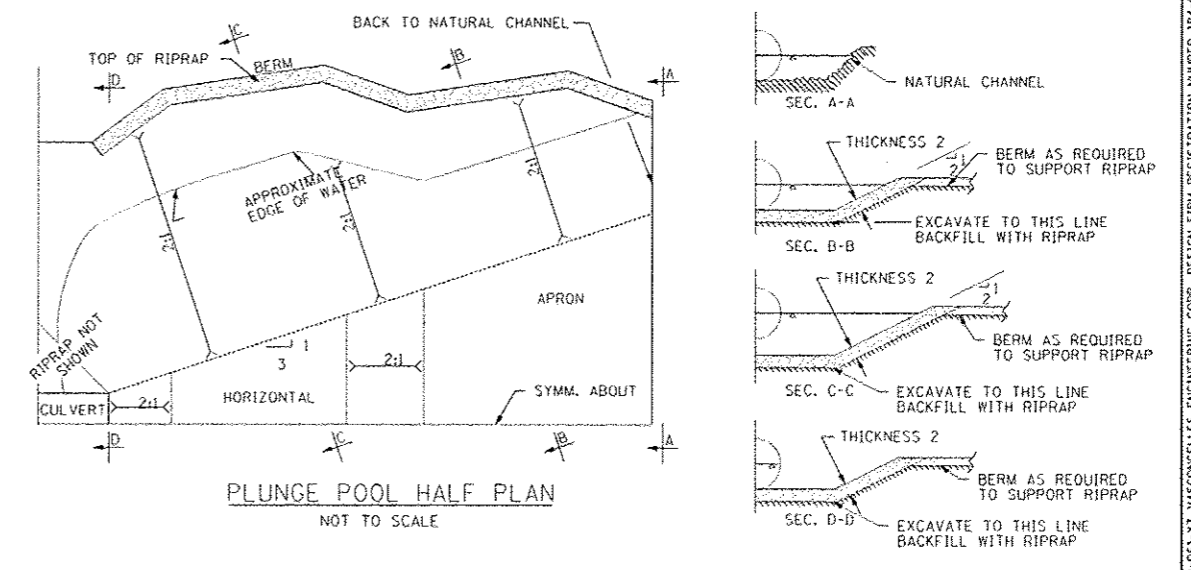
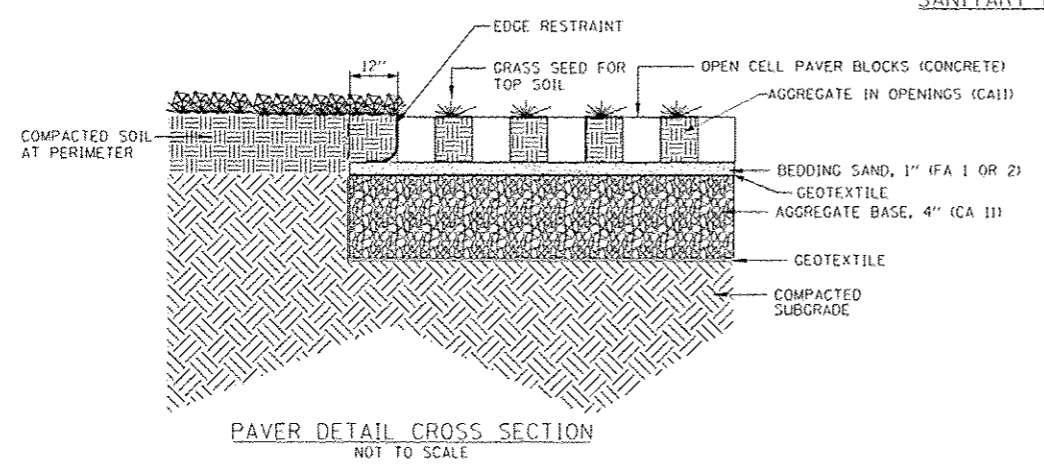


RIPRAP BASIN SIZING										
STATION	PIPE SIZE	RIPRAP AREA (SQ. YD.)	POOL LENGTH (FEET)	APRON LENGTH (FEET)	DEPTH OF POOL (FEET)	HEIGHT ABOVE INVERT (FEET)	GRAD.	THICK. 1 (FEET)	THICK. 2 (FEET)	
LT 53+10	15"	14.3	5	2	0.3	0.8	RR 3	1.7	1.3	



FILE NAME D:\6315\sh1813-details.dgn	USER NAME Stavok	DESIGNED - R.H.D.	REVISED -
Default		DRAWN - J.T.T.	REVISED -
	PLOT SCALE = 20.00 / 1 in.	CHECKED - S.O.K.	REVISED -
	PLOT DATE = 12/19/2013	DATE - 12/19/13	REVISED -

STATE OF ILLINOIS
DEPARTMENT OF TRANSPORTATION

DETAILS		F.A. RTE.	SECTION	COUNTY	TOTAL SHEETS	SHEET NO.
LINCOLN'S TOMB SITE RENOVATIONS				SANGAMON	16	13
SCALE: 1" = 20'	SHEET 13 OF 16 SHEETS	STA.	TO STA.	CONTRACT NO. 46315		
ILLINOIS FED. AID PROJECT						

JOB NO. 250-061-X3 VASCONCELLES ENGINEERING CORP. DESIGN FIRM REGISTRATION NUMBER 184-00210