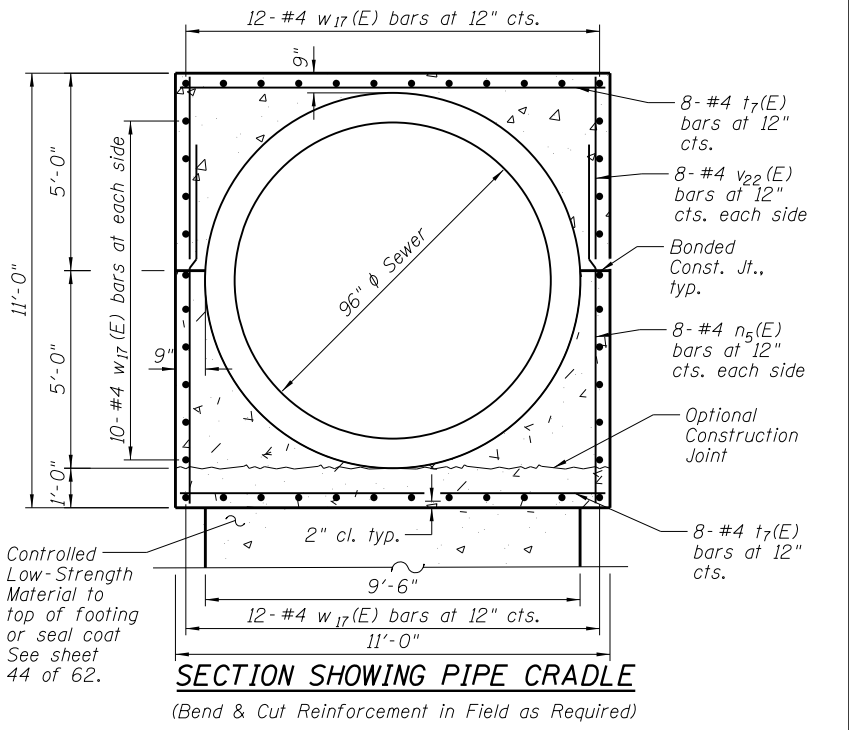
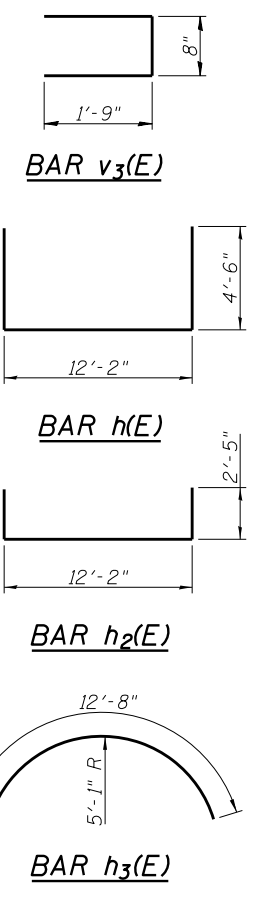
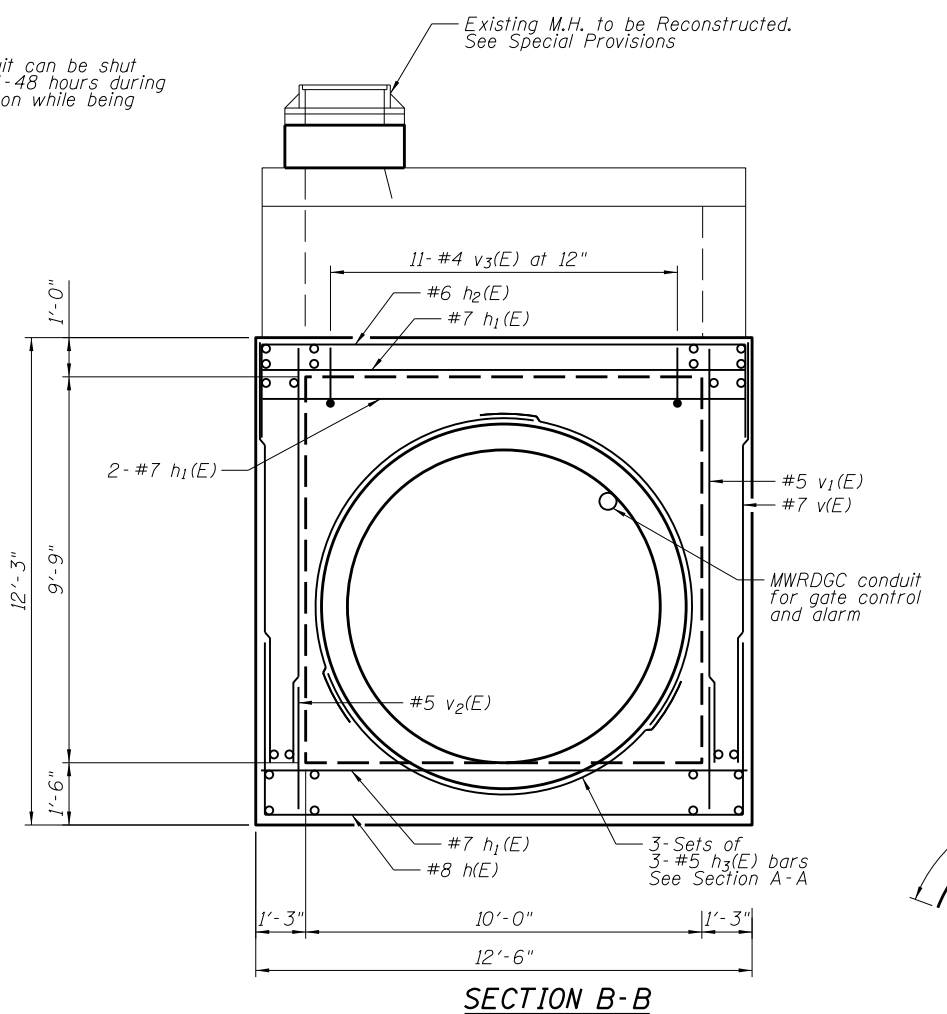
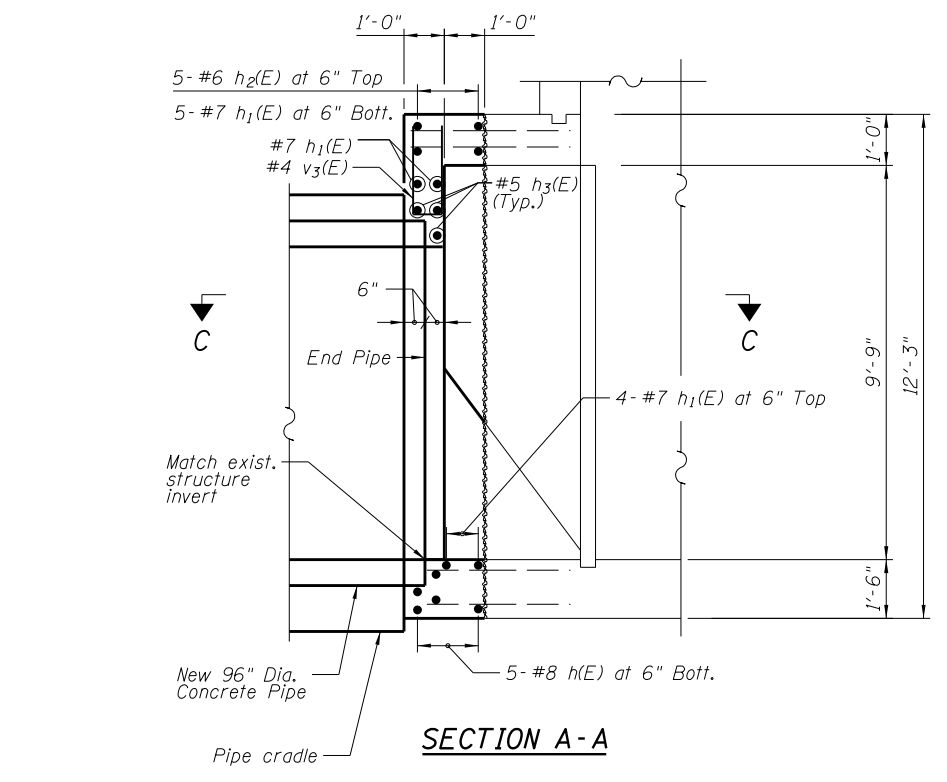
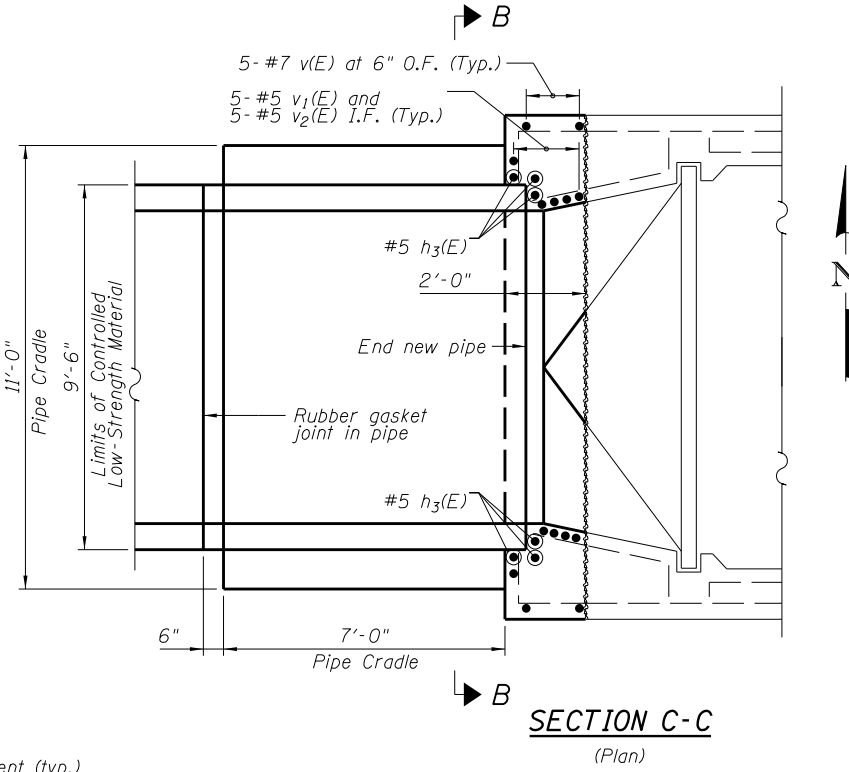


**PARTIAL PLAN - EXISTING MWRD NORTH CONNECTING STRUCTURE**

\*\*The conduit can be shut down for 24-48 hours during the dry season while being relocated.

\*Removal included in Removal of Existing Structures



Notes:  
See Drainage Plans for additional details.  
The Metropolitan Water Reclamation District of Greater Chicago (MWRDGC) shall have 24 hour a day access for heavy equipment to their facilities. Flow from the outfall structures shall not be blocked and shall be maintained at all times. See Special Provisions.  
The Contractor shall exercise care when removing the existing CIP arch outfall pipe and concrete from the MWRDGC structure.  
Forming inside the MWRDGC structure shall be as approved by the Engineer.  
I.F. denotes Inner Face.  
O.F. denotes Outer Face.  
Plan dimensions and details relative to existing plans are subject to nominal construction variations. The Contractor shall field verify existing dimensions and details affecting new construction and make necessary approved adjustments prior to construction or ordering of materials. Such variations shall not be cause for additional compensation for a change in scope of the work, however, the Contractor will be paid for the quantity actually furnished at the unit price bid for the work.  
Existing reinforcement shall be cleaned and incorporated into the new construction. Cost included with Removal of Existing Structures.

**BILL OF MATERIAL**

Bar	No.	Size	Length	Shape
h(E)	5	#8	21'-2"	┌
h1(E)	11	#7	12'-2"	—
h2(E)	5	#6	17'-0"	┌
h3(E)	9	#5	12'-8"	┌
n5(E)	16	#4	7'-9"	—
t7(E)	16	#4	10'-8"	—
v(E)	10	#7	10'-7"	—
v1(E)	10	#5	10'-7"	—
v2(E)	10	#5	3'-6"	—
v3(E)	11	#4	4'-2"	┌
v22(E)	16	#4	4'-8"	—
w17(E)	44	#4	6'-8"	—
Concrete Structures		Cu. Yd.	19.6	
Reinforcement Bars, Epoxy Coated		Pound	1640	

FILE NAME = \$FILEL\$



USER NAME =	DESIGNED - JJI	REVISED
PLOT SCALE =	CHECKED - JMT	REVISED
PLOT DATE = \$DATE\$	DRAWN - GM	REVISED
	CHECKED - JMT	REVISED

STATE OF ILLINOIS  
DEPARTMENT OF TRANSPORTATION

MWRDGC OUTFALL STRUCTURE MODIFICATION  
STRUCTURE NO. 016-3035  
SHEET NO. 9 OF 62 SHEETS

F.A.P. RTE. 307	SECTION 541Y-3-B	COUNTY COOK	TOTAL SHEETS 143	SHEET NO. 70
CONTRACT NO. 60J11				
ILLINOIS FED. AID PROJECT				