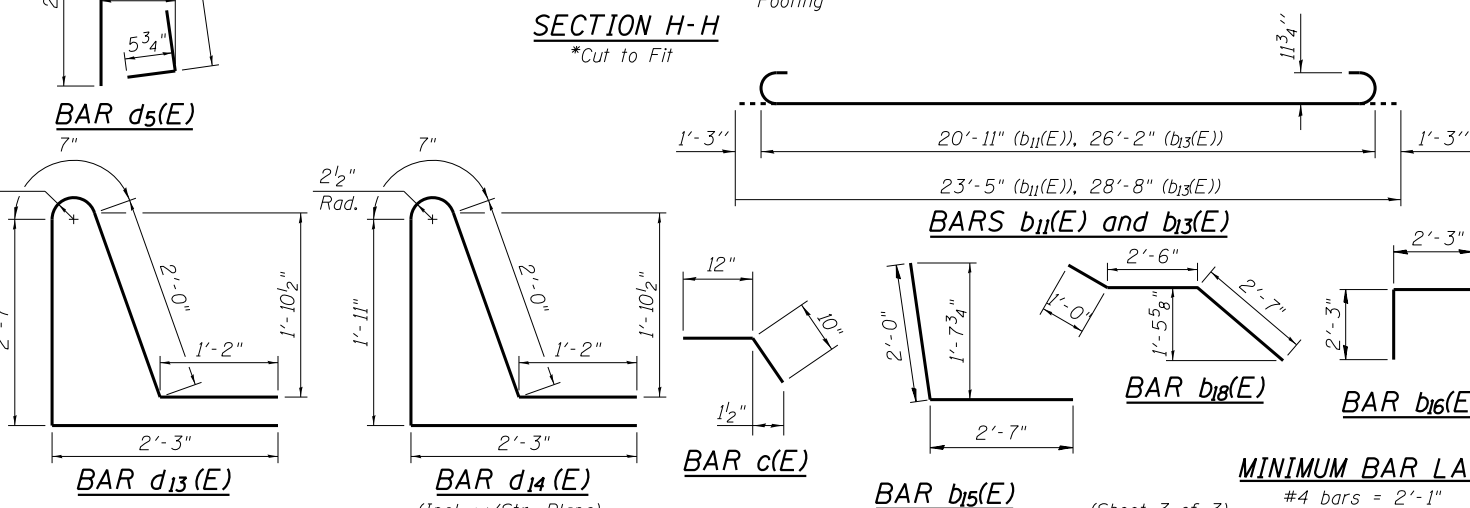
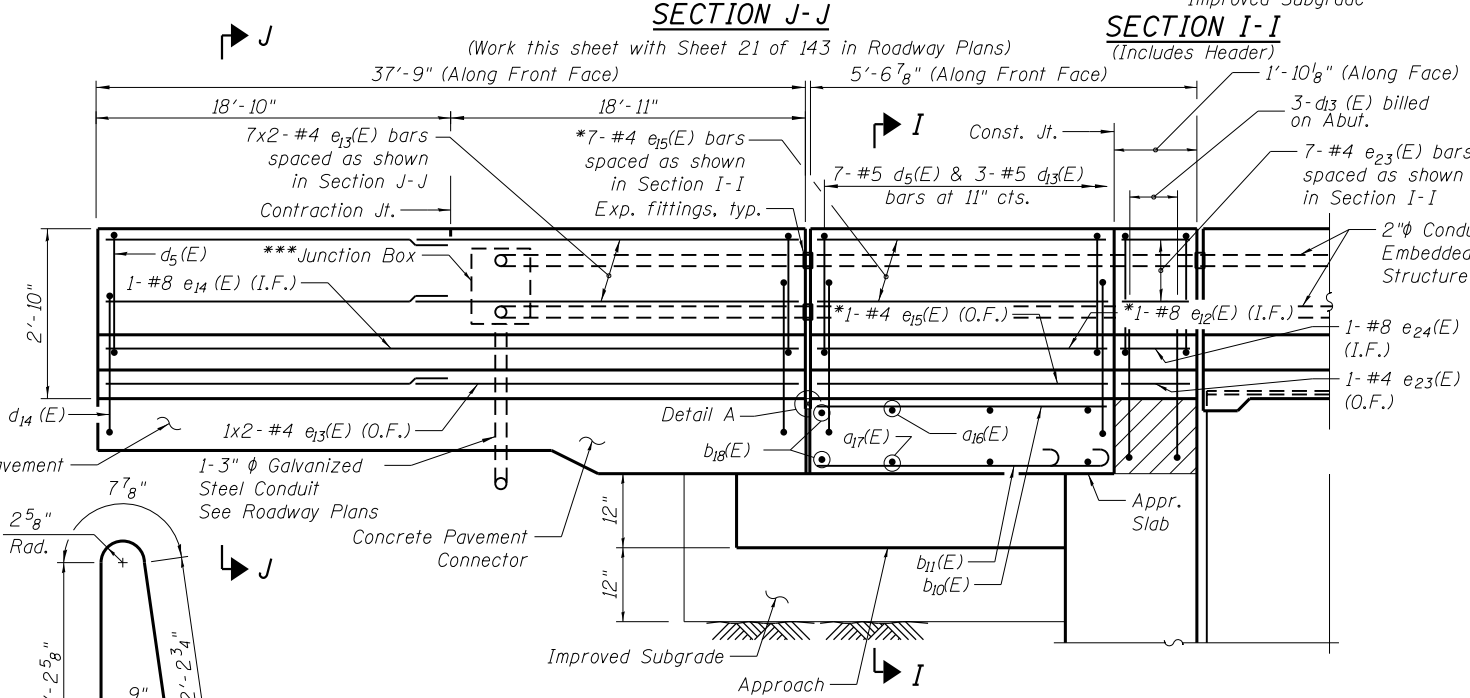
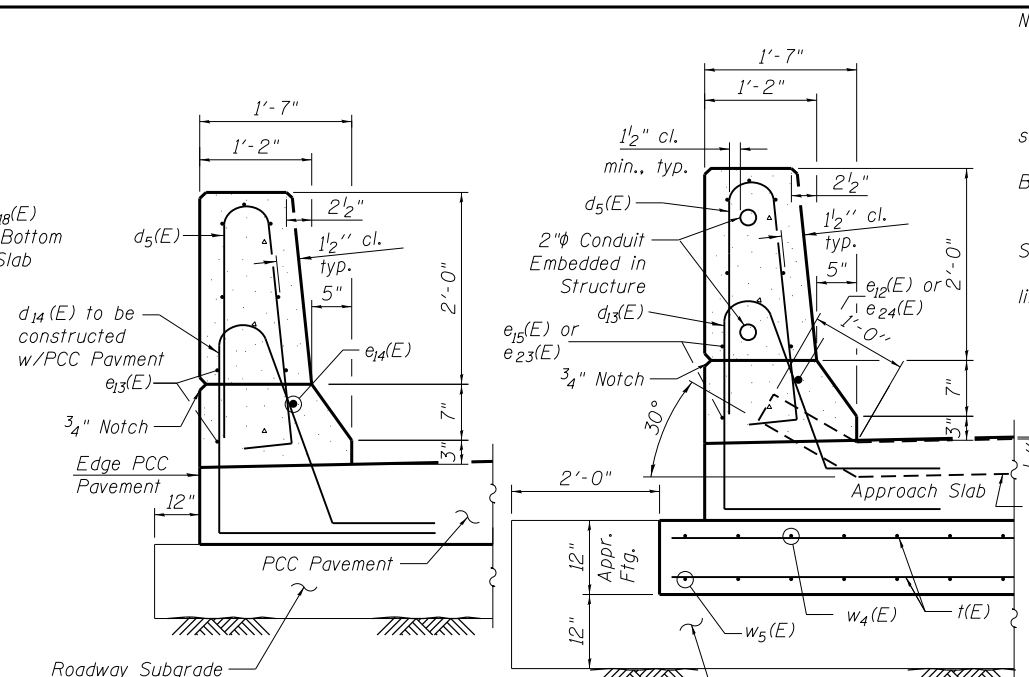
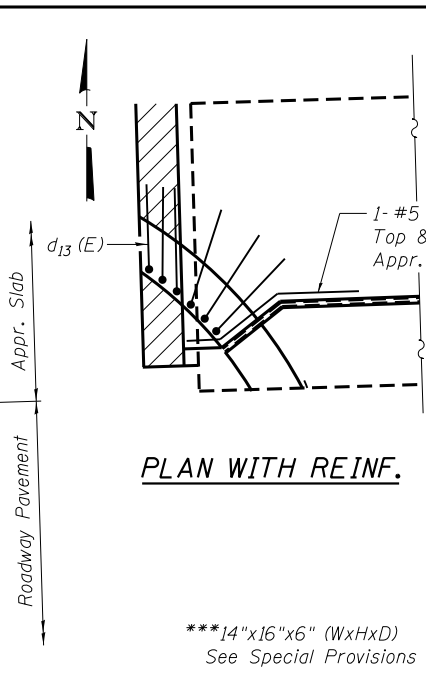
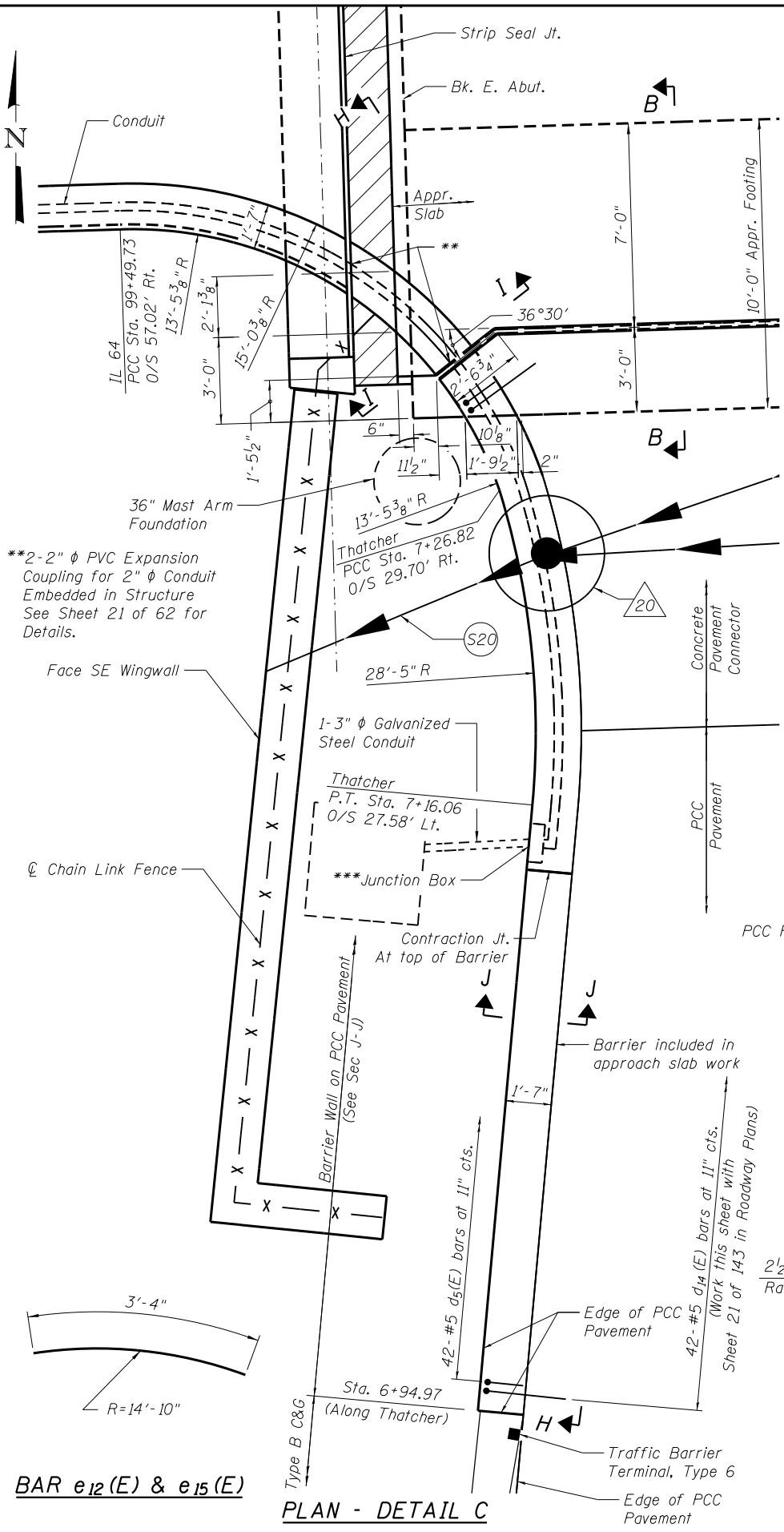


FILE NAME = W:\191-130-100T-IL64\CADD_Sheets\Structure\11660J11-ht-22a_Eappr-SlabDet-IL.dwg



Notes:
 I.F. Denotes Inner Face
 O.F. Denotes Outer Face
 See Sheet 23 of 62 For Detail A.
 Approach Slab and parapet concrete shall be paid for as Concrete Superstructure.
 Reinforcement shall be paid for as Reinforcement Bars, Epoxy Coated.
 See Sheet 53 of 62 for Bar Splicer Details.
 See Sheet 25 of 62 for Section B-B and Section thru Preformed Joint Seal in barrier.
 Bars indicated thus 7x2-#4 etc. indicates 7 lines of bars with 2 lengths per line.
 See Sheet 44 of 62 for d13(E) bar in abut.

EAST APPROACH & EAST BARRIER WALLS BILL OF MATERIAL

Bar	No.	Size	Length	Shape
a15(E)	106	#5	30'-8"	
a16(E)	48	#4	28'-4"	
a17(E)	88	#5	28'-7"	
a18(E)	58	#4	30'-5"	
b10(E)	56	#5	28'-8"	
b11(E)	131	#9	23'-5"	
b12(E)	120	#5	18'-6"	
b13(E)	141	#9	28'-8"	
b14(E)	7	#4	13'-0"	
b15(E)	2	#5	4'-7"	
b16(E)	2	#5	4'-6"	
b17(E)	12	#5	6'-6"	
b18(E)	2	#5	6'-1"	
c(E)	5	#5	1'-10"	
c1(E)	5	#5	5'-7"	
c6(E)	3	#5	7'-9"	
d5(E)	49	#5	5'-7"	
d11(E)	5	#4	6'-5"	
d12(E)	5	#6	6'-5"	
d13(E)	3	#5	8'-7"	
d14(E)	42	#5	7'-11"	
d15(E)	12	#6	4'-3"	
d16(E)	12	#4	4'-3"	
d17(E)	6	#4	4'-2"	
d18(E)	6	#6	4'-2"	
d19(E)	32	#4	5'-6"	
d20(E)	32	#6	5'-6"	
e10(E)	8	#4	5'-11"	
e11(E)	16	#4	20'-10"	
e12(E)	1	#8	3'-4"	
e13(E)	16	#4	19'-9"	
e14(E)	1	#8	37'-5"	
e15(E)	8	#4	3'-4"	
e16(E)	14	#4	3'-8"	
e18(E)	4	#4	4'-8"	
e19(E)	8	#4	30'-6"	
e22(E)	8	#4	5'-1"	
e23(E)	8	#4	1'-6"	
e24(E)	1	#8	1'-6"	
f(E)	336	#4	9'-8"	
w2(E)	32	#8	31'-6"	
w3(E)	42	#5	30'-1"	
w4(E)	16	#8	25'-7"	
w5(E)	21	#5	25'-7"	
w6(E)	32	#8	33'-7"	
w7(E)	42	#5	32'-2"	
w8(E)	16	#8	37'-1"	
w9(E)	21	#5	37'-1"	
Concrete Superstructure	Cu. Yd.		195.8	
Concrete Structures	Cu. Yd.		65.2	
Reinforcement Bars, Epoxy Coated	Pound		53,130	
Protective Coat	Sq. Yd.		409	
Bridge Deck Grooving	Sq. Yd.		358	

Bollinger, Lach & Associates, Inc.
 ITASCA, ILLINOIS

USER NAME =	DESIGNED - JMT	REVISED
PLOT SCALE =	CHECKED - JJI	REVISED
PLOT DATE = 8/16/2013	DRAWN - GM	REVISED
	CHECKED - JJI	REVISED

STATE OF ILLINOIS DEPARTMENT OF TRANSPORTATION

EAST BRIDGE APPROACH SLAB SOUTH DETAILS
STRUCTURE NO. 016-3035
 SHEET NO. 27 OF 62 SHEETS

F.A.P. RTE.	SECTION	COUNTY	TOTAL SHEETS	SHEET NO.
307	541Y-3-B	COOK	143	88
CONTRACT NO. 60J11				
ILLINOIS FED. AID PROJECT				