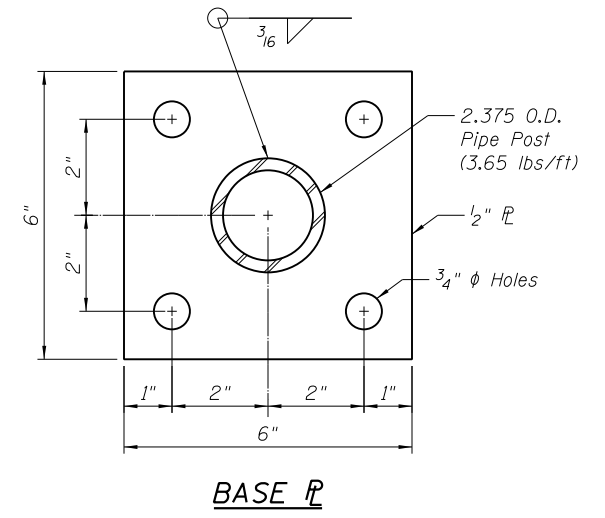
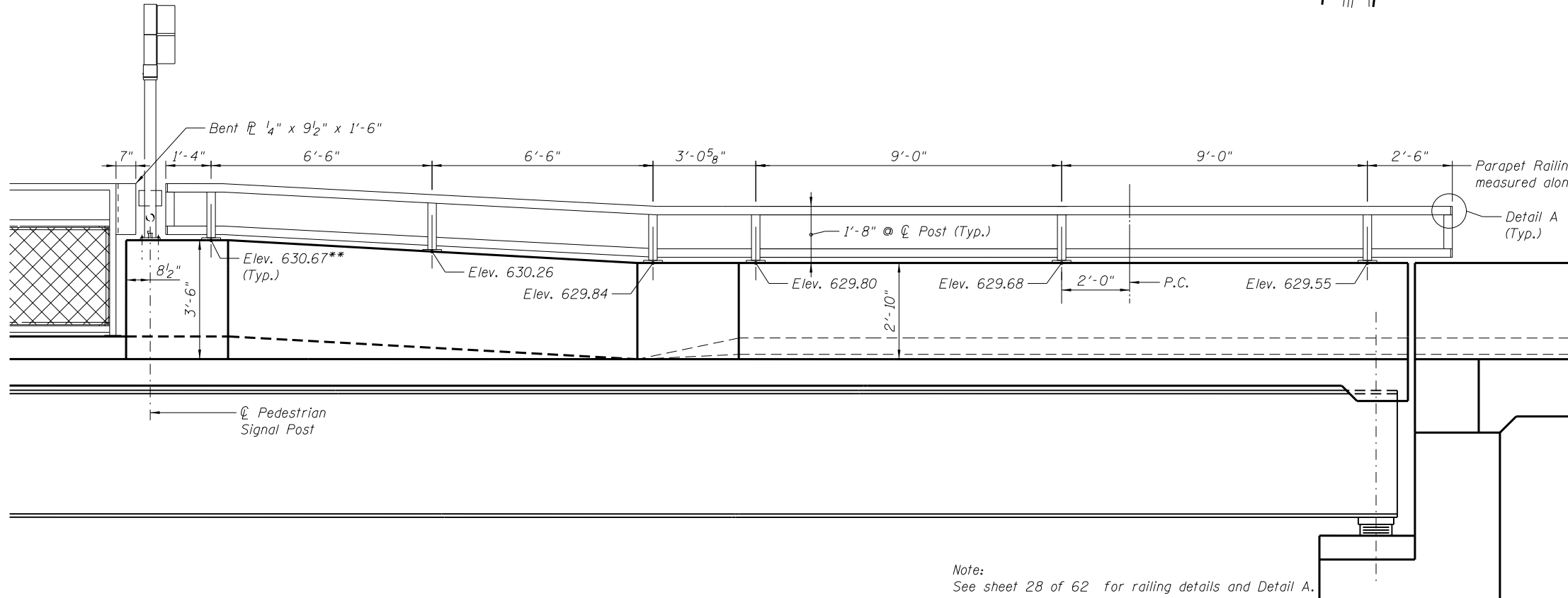


PLAN - SE PARAPET RAILING

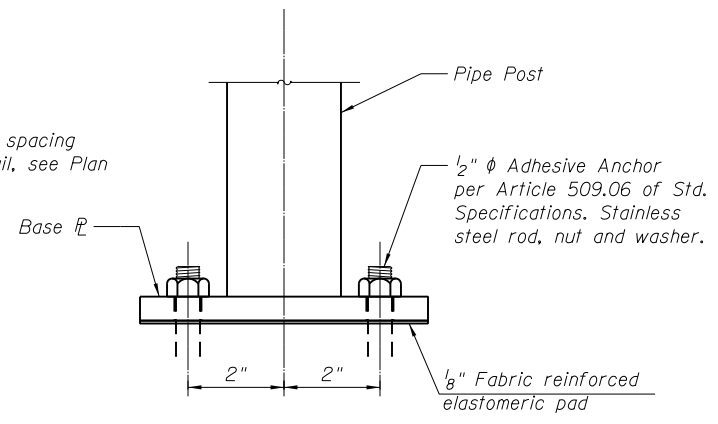


BASE PL



ELEVATION - SE PARAPET RAILING

SE PARAPET RAILING DETAILS



ELEVATION

Notes:
See 'Chain Link Fence' Standard Drawings and Standard Specification for details not shown.

See East Abutment plans for fence post spacing, Sheets 40 and 42 of 62.

Posts with base plates shall be galvanized after fabrication according to Article 509.05 of the Standard Specifications.

Fabric reinforcement pad and anchors are included in the fence item for payment. See Special Provisions.

**CHAIN LINK FENCE 4 FT.,
ATTACHED TO STRUCTURE-DETAILS**

Note:
See sheet 28 of 62 for railing details and Detail A.

** Top of parapet elevation at centerline post for railing fabrication (typ.)

FILE NAME = W:\191-130-IDD\1164\CA00_Sheets\Structure\1164\11-ht-24_Br-Rail\Det.dgn

Bollinger, Lach & Associates, Inc.
ITASCA, ILLINOIS

USER NAME =	DESIGNED - JJI	REVISED
	CHECKED - JMT	REVISED
PLOT SCALE =	DRAWN - GM	REVISED
PLOT DATE = 8/16/2013	CHECKED - JMT	REVISED

**STATE OF ILLINOIS
DEPARTMENT OF TRANSPORTATION**

**RAILING & FENCE DETAILS
STRUCTURE NO. 016-3035**
SHEET NO. 29 OF 62 SHEETS

F.A.P. RTE. 307	SECTION 541Y-3-B	COUNTY COOK	TOTAL SHEETS 143	SHEET NO. 90
CONTRACT NO. 60J11				
ILLINOIS FED. AID PROJECT				