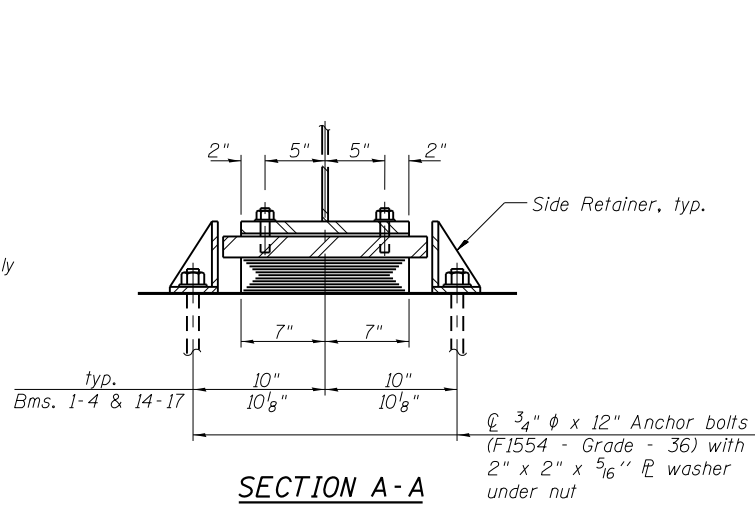
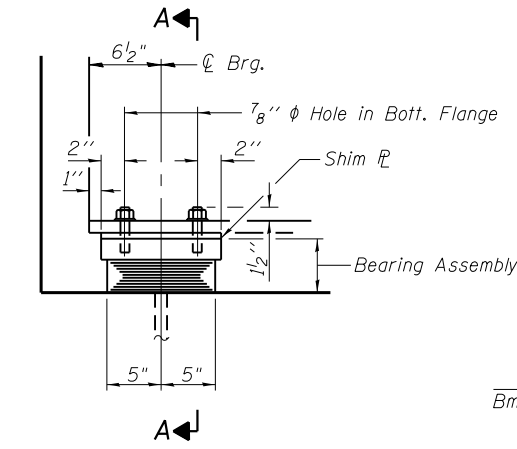


ELEVATION AT ABUT.

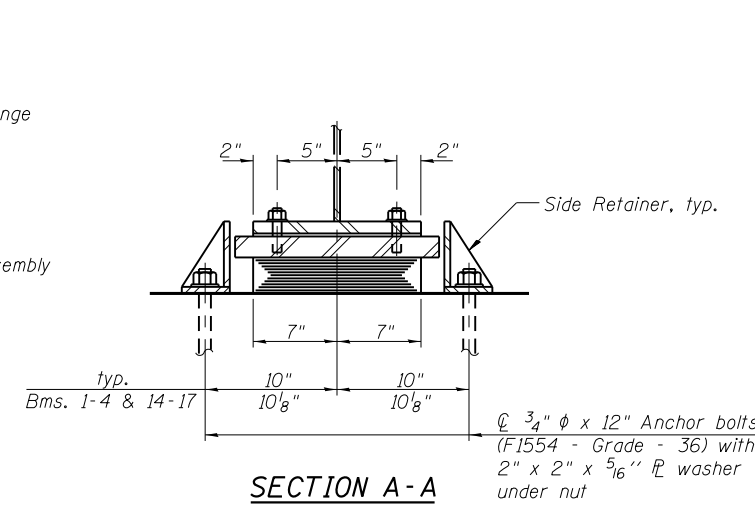


SECTION A-A

TYPE I ELASTOMERIC EXP. BRG.
(West Abut.)

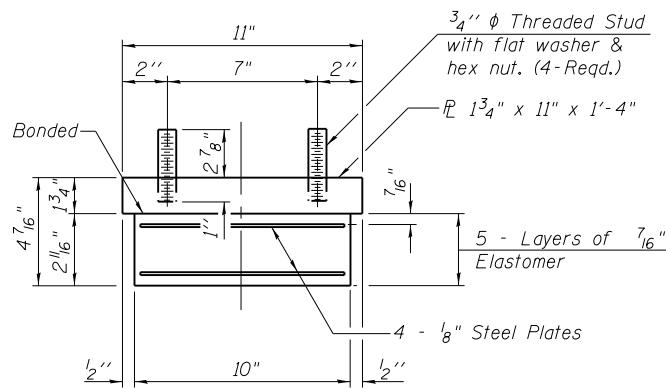


ELEVATION AT ABUT.



SECTION A-A

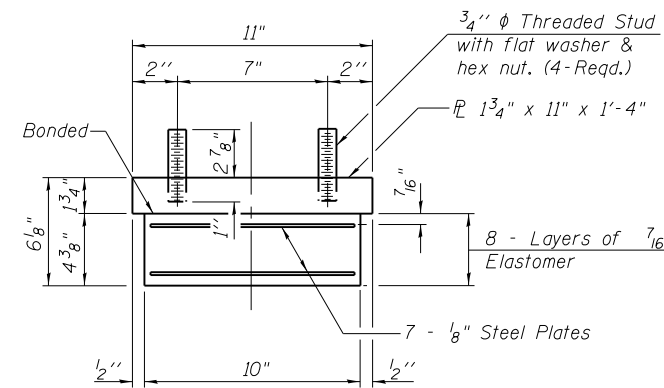
TYPE I ELASTOMERIC EXP. BRG.
(East Abut. 17 required)



BEARING ASSEMBLY

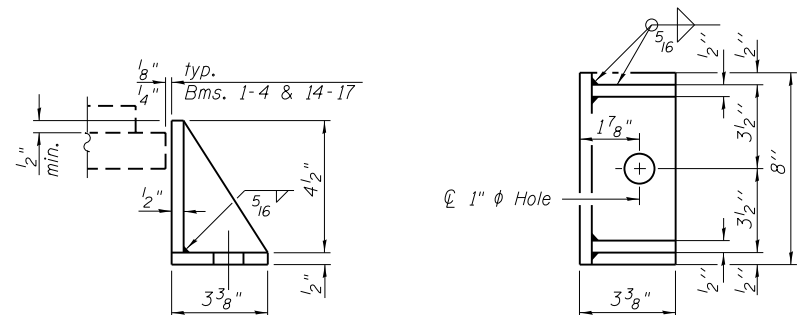
Note:
Shim plates shall not be placed under Bearing Assembly.

Notes:
Anchor bolts shall be ASTM F1554 all-thread (or an Engineer-approved alternate material) of the grade(s) and diameter(s) specified. The corresponding specified grade of AASHTO M314 anchor bolts may be used in lieu of ASTM F1554.
Anchor bolts for side retainers may be cast in place or installed in holes drilled before or after members are in place.
Drilled and set anchor bolts shall be installed according to Article 521.06 of the Standard Specifications.
Side retainers and other steel members required for the elastomeric bearing assembly shall be included in the cost of Elastomeric Bearing Assembly, Type I.
The structural steel plates of the Bearing Assembly shall conform to the requirements of AASHTO M 270 Grade 50.
Two 1/8 in. adjusting shims shall be provided for each bearing in addition to all other plates or shims and placed as shown on bearing details.



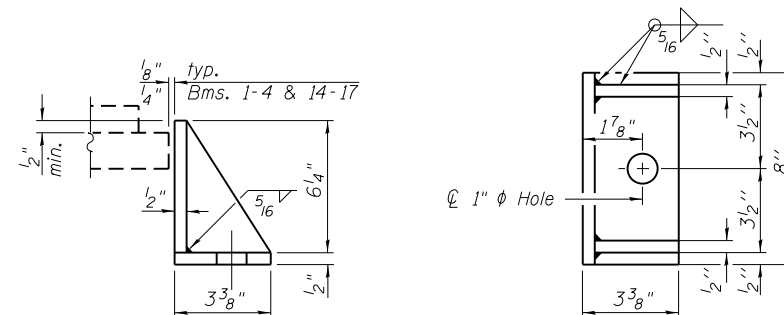
BEARING ASSEMBLY

Note:
Shim plates shall not be placed under Bearing Assembly.



SIDE RETAINER

Equivalent rolled angle with stiffeners will be allowed in lieu of welded plates.



SIDE RETAINER

Equivalent rolled angle with stiffeners will be allowed in lieu of welded plates.

BILL OF MATERIAL

| Item | Unit | Total |
|-------------------------------------|------|-------|
| Elastomeric Bearing Assembly Type I | Each | 34 |
| Anchor Bolts, 3/4" | Each | 68 |

FILE NAME = W:\191-130-100T-11.641-CADD-Sheets\Structure\1166011-11-23-AbutBer.dgn