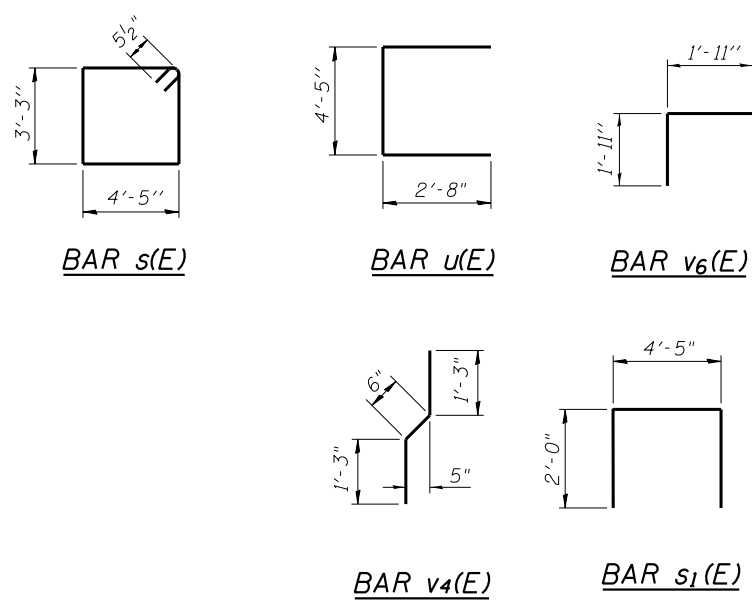
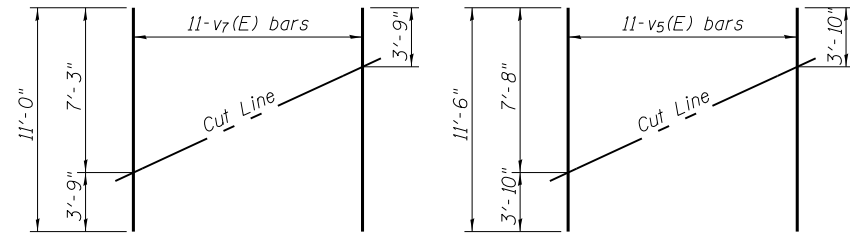
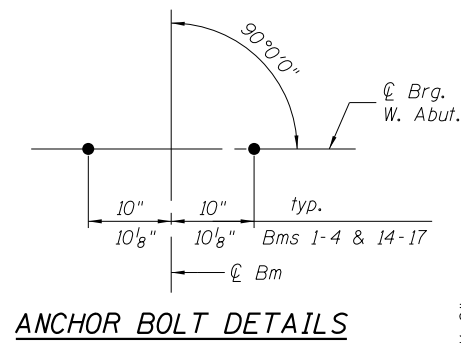


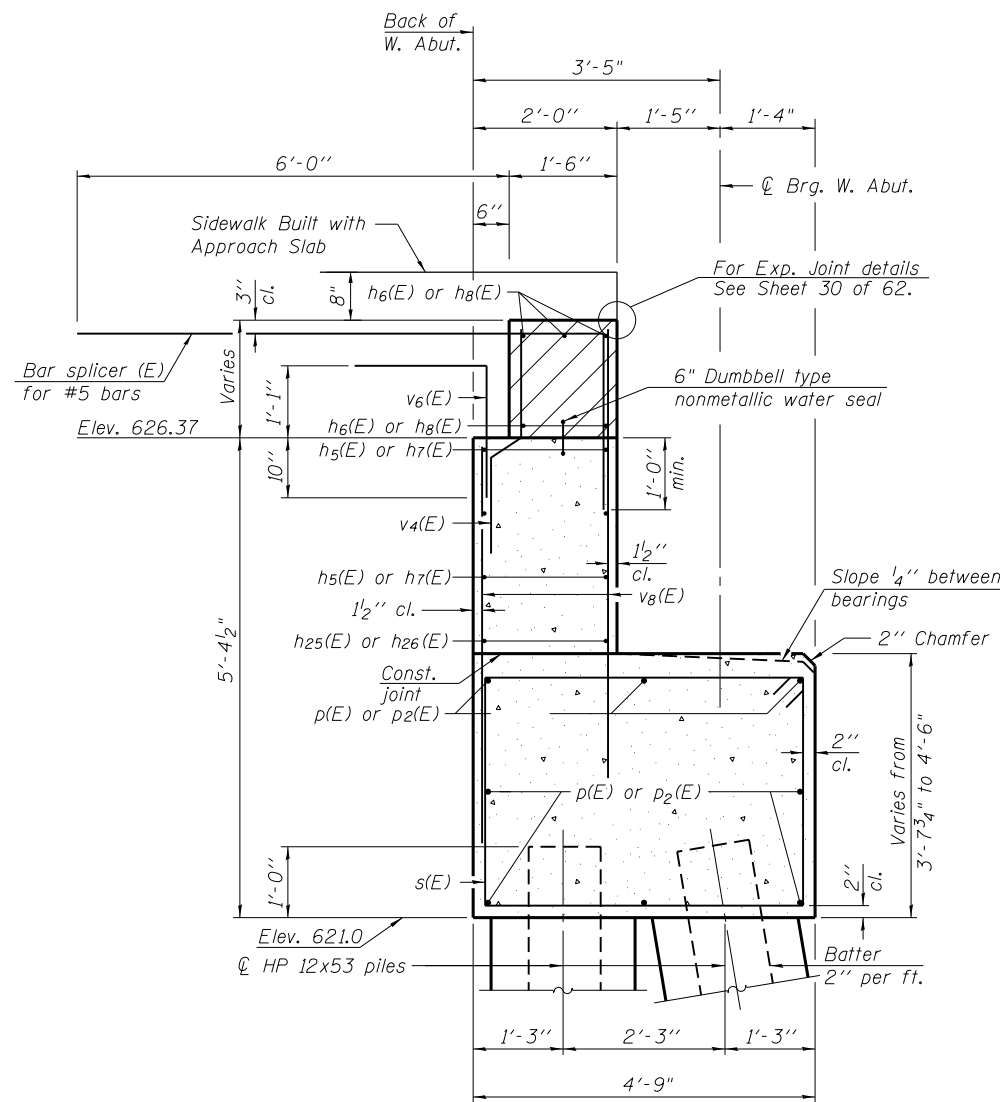
**WEST ABUTMENT
BILL OF MATERIAL**

Bar	No.	Size	Length	Shape
h4(E)	42	#6	13'-9"	—
h5(E)	12	#5	29'-4"	—
h6(E)	10	#6	26'-4"	—
h7(E)	12	#5	26'-2"	—
h8(E)	10	#6	29'-4"	—
h25(E)	2	#5	25'-1"	—
h26(E)	2	#5	30'-10"	—
p(E)	16	#7	27'-4"	—
p1(E)	3	#5	24'-6"	—
p2(E)	16	#7	30'-4"	—
p3(E)	3	#5	37'-3"	—
p4(E)	3	#5	12'-3"	—
s(E)	116	#5	16'-3"	□
s1(E)	79	#5	8'-5"	□
u(E)	16	#6	9'-9"	□
v4(E)	108	#4	3'-0"	—
v5(E)	11	#5	11'-6"	—
v6(E)	108	#5	3'-10"	┌
v7(E)	11	#5	11'-0"	—
v8(E)	216	#5	4'-11"	—
Structure Excavation			Cu. Yd.	180
Concrete Structures			Cu. Yd.	89.7
Reinforcement Bars, Epoxy Coated			Pound	9550
Furnishing Steel Piles HP 12X53			Foot	945
Driving Piles			Foot	945
Test Pile Steel HP 12X53			Each	1
Concrete Encasement			Cu. Yd.	9.8
Concrete Sealer			Sq. Ft.	1260
Pile Shoes			Each	28
Protective Coat			Sq. Yd.	8
Geocomposite Wall Drain			Sq. Yd.	97
Granular Backfill for Structures			Cu. Yd.	190

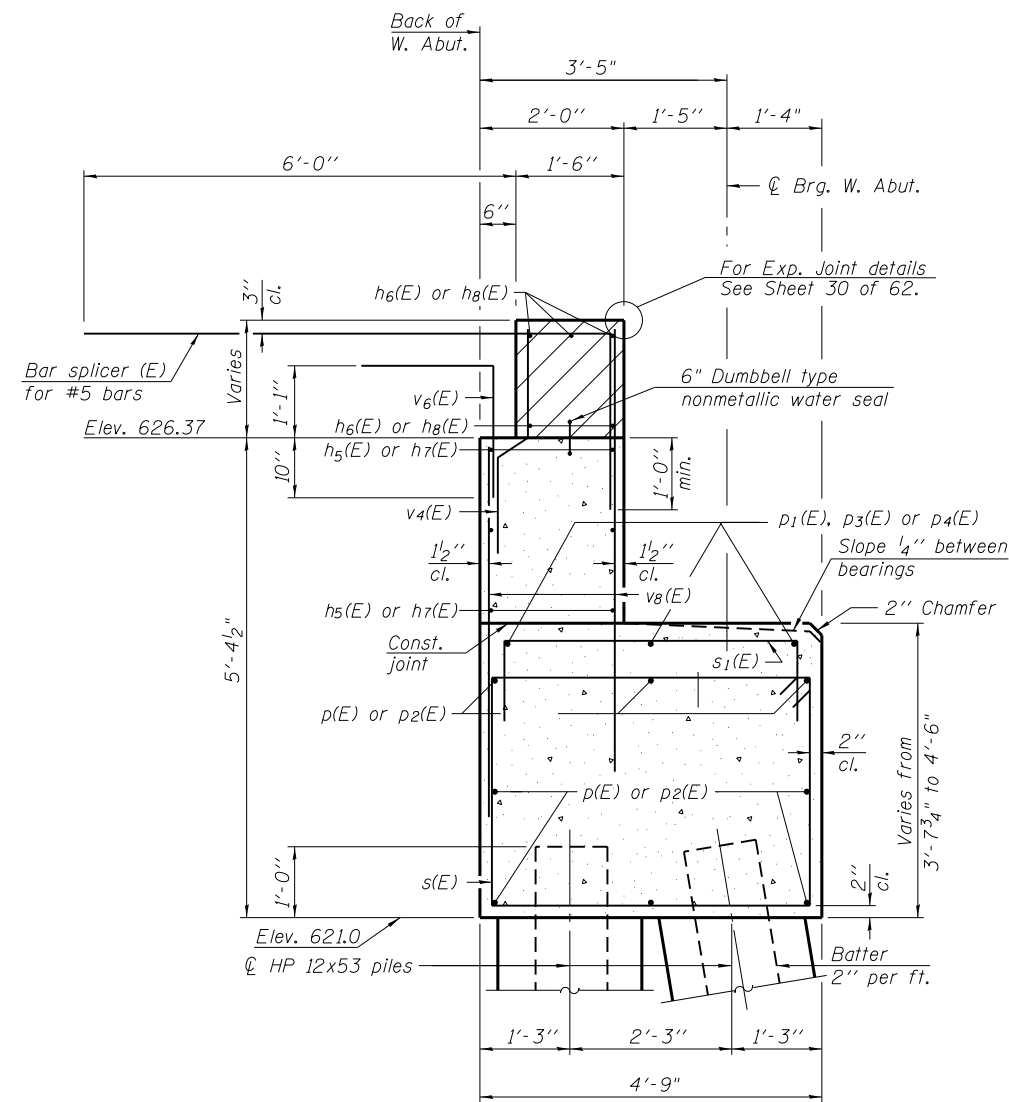


FIELD CUTTING DIAGRAMS

Order v7(E) and v5(E) full length. Cut as shown and use remainder of bars in opposite face.



SECTION B-B
(At Sidewalk)



SECTION C-C

Notes:

- See sheet 53 of 62, for details of Bar Splicers.
- See sheet 52 of 62, for details of piles and Concrete Encasement.
- Hatched area to be poured after Superstructure false work has been removed. Quantity of concrete included with Concrete Superstructure.
- Space reinforcement in cap to miss anchor bolts.
- Pour steps monolithically with cap.
- Additional bars in steps not shown in Section B-B.
- Apply Protective Coat to exposed areas of wingwalls.

FILE NAME = W:\191-130-100T-11.64\CA00_Sheets\Structure\1166011-11-32_W_Abutment.dgn



USER NAME =
DESIGNED - JMT
CHECKED - JJI
PLOT SCALE =
DRAWN - GM
PLOT DATE = 8/16/2013
CHECKED - JJI

REVIS
REVIS
REVIS
REVIS

**STATE OF ILLINOIS
DEPARTMENT OF TRANSPORTATION**

**WEST ABUTMENT DETAILS
STRUCTURE NO. 016-3035**
SHEET NO. 39 OF 62 SHEETS

F.A.P. RTE.	SECTION	COUNTY	TOTAL SHEETS	SHEET NO.
307	541Y-3-B	COOK	143	100
CONTRACT NO. 60J11				
ILLINOIS FED. AID PROJECT				