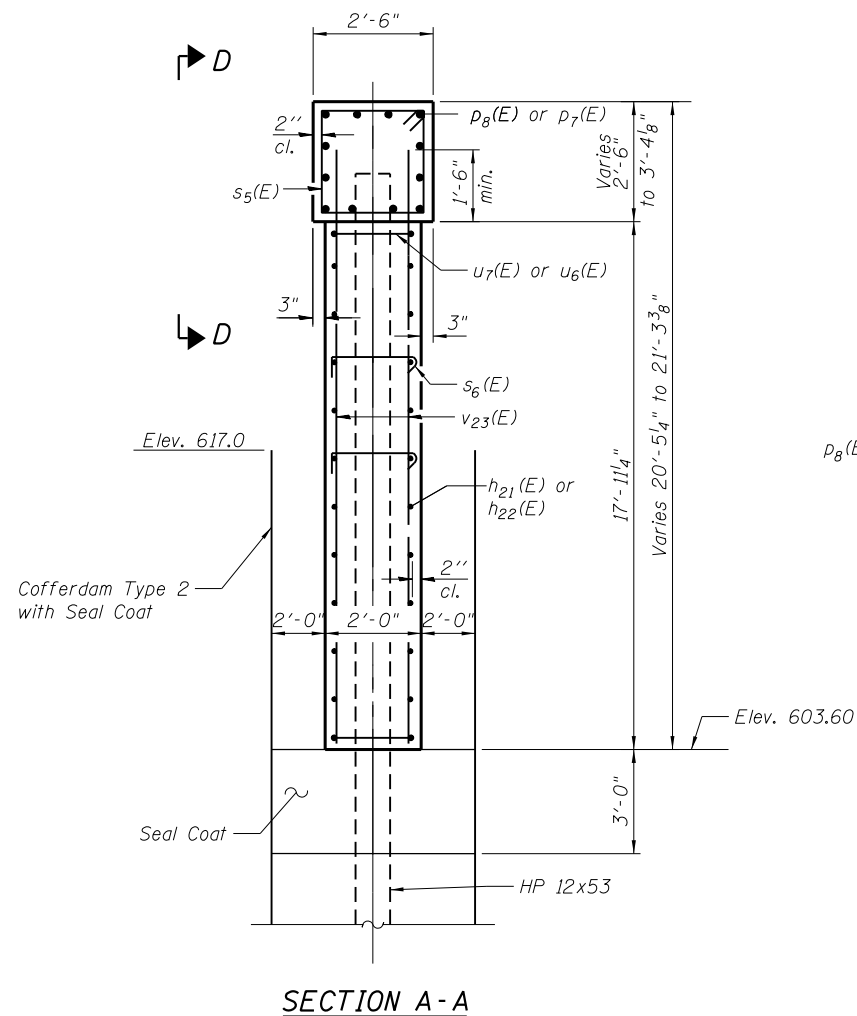
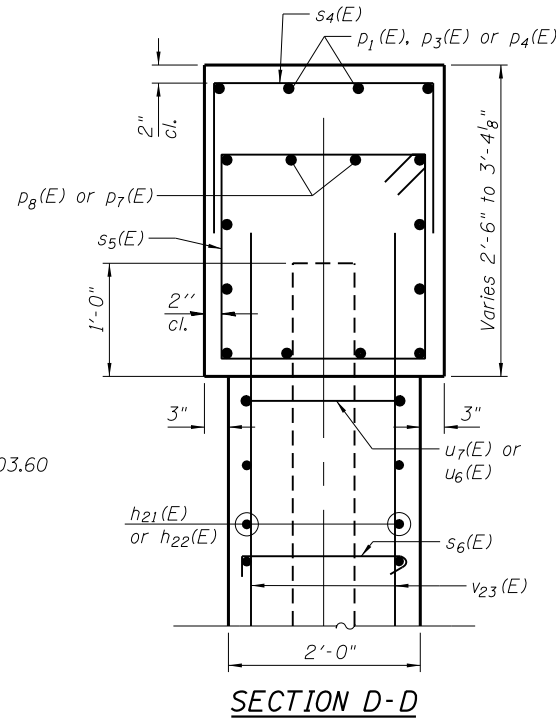


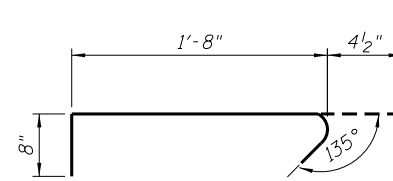
Order separate section for pier cap



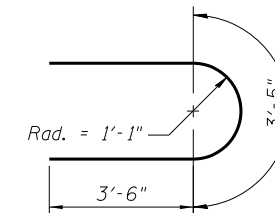
SECTION A-A



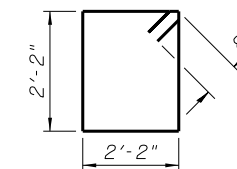
SECTION D-D



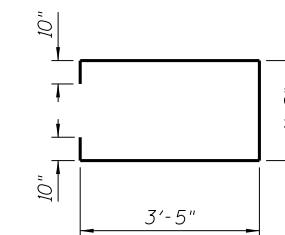
BAR s6(E)



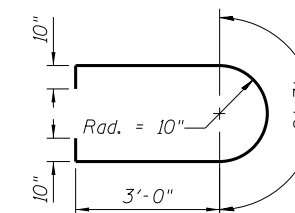
BAR u4(E)



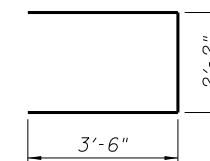
BAR s5(E)



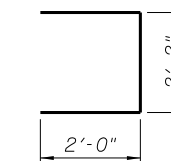
BAR u6(E)



BAR u7(E)



BAR u3(E)



BAR s4(E)

PIER 2  
BILL OF MATERIAL

Bar	No.	Size	Length	Shape
h21(E)	76	#5	25'-8"	—
h22(E)	76	#5	28'-11"	—
p1(E)	4	#5	24'-6"	—
p3(E)	4	#5	37'-3"	—
p4(E)	4	#5	12'-3"	—
p7(E)	24	#8	30'-7"	—
p8(E)	24	#8	27'-4"	—
s4(E)	79	#5	6'-2"	U
s5(E)	156	#6	10'-0"	U
s6(E)	988	#4	2'-9"	U
u3(E)	5	#6	9'-2"	U
u4(E)	8	#6	10'-5"	U
u6(E)	19	#5	10'-2"	U
u7(E)	38	#5	10'-3"	U
v23(E)	218	#5	19'-6"	—
Cofferdam Excavation		Cu. Yd.	178	
Concrete Structures		Cu. Yd.	168.7	
Reinforcement Bars, Epoxy Coated		Pound	18,250	
Furnishing Steel Piles HP 12x53		Foot	1150	
Driving Piles		Foot	1150	
Test Pile Steel HP 12x53		Each	1	
Pile Shoes		Each	26	
Cofferdam (Type 2) (Location -2)		Each	1	
Seal Coat Concrete		Cu. Yd.	73.1	
Furnish and Install Stream Gauge		Each	1	

STREAM GAUGE NOTES:

The gauge plates shall be porcelain enameled iron plate graduated in feet and tenths, unnumbered and 3 1/2" wide. Gauge plates shall be "WaterMark" Style "E" or approved equivalent.

Each individual number plate should be a black numeral on a 2"x3" white porcelain enameled iron plate. Number plates shall be "Watermark" Style "E" or approved equivalent. Elevations shall be installed as shown.

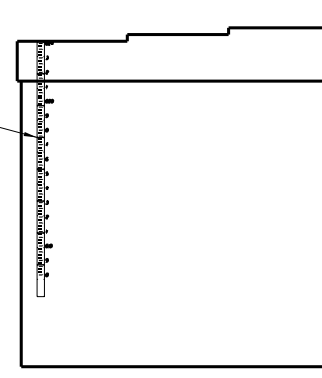
Both the gauge plates and number plates shall be fastened directly to the pier with a 1/4" diameter, 1 1/2" long masonry screw with a hex washer head.

The Contractor must determine exact elevation of the Gauge Plates in the field and install Gauge Plates within a tolerance of 1/4".

Three digit elevations to be installed at the top of the gauge and at every elevation ending with 0. At all of the other whole elevations, place the last digit as shown in the example to the left.

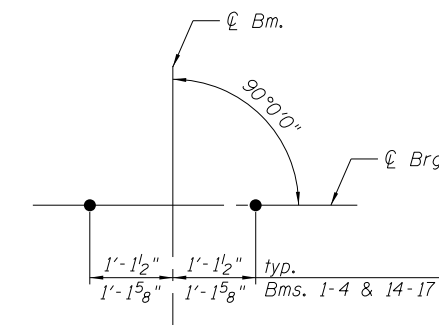
See Special Provisions.

Stream Gauge See Detail. See Plan on Sheet 49 of 62.



PARTIAL ELEVATION PIER 2

(Looking West)



ANCHOR BOLT DETAILS

STREAM GAUGE DETAIL

FILE NAME = W:\191-130-100T-11.641-CADD-Sheets\Structure\1166011-Str-40-Pier-2-DET.dgn

**Bollinger, Lach & Associates, Inc.**  
ITASCA, ILLINOIS

USER NAME =	DESIGNED - JMT	REVISED
CHECKED - JJI	REVISIONS	
PLOT SCALE =	DRAWN - GJE	REVISIONS
PLOT DATE = 8/16/2013	CHECKED - JJI	REVISIONS

STATE OF ILLINOIS  
DEPARTMENT OF TRANSPORTATION

PIER 2 DETAILS  
STRUCTURE NO. 016-3035

SHEET NO. 51 OF 62 SHEETS

F.A.P. RTE. 307	SECTION 541Y-3-B	COUNTY COOK	TOTAL SHEETS 143	SHEET NO. 112
				CONTRACT NO. 60J11
ILLINOIS FED. AID PROJECT				