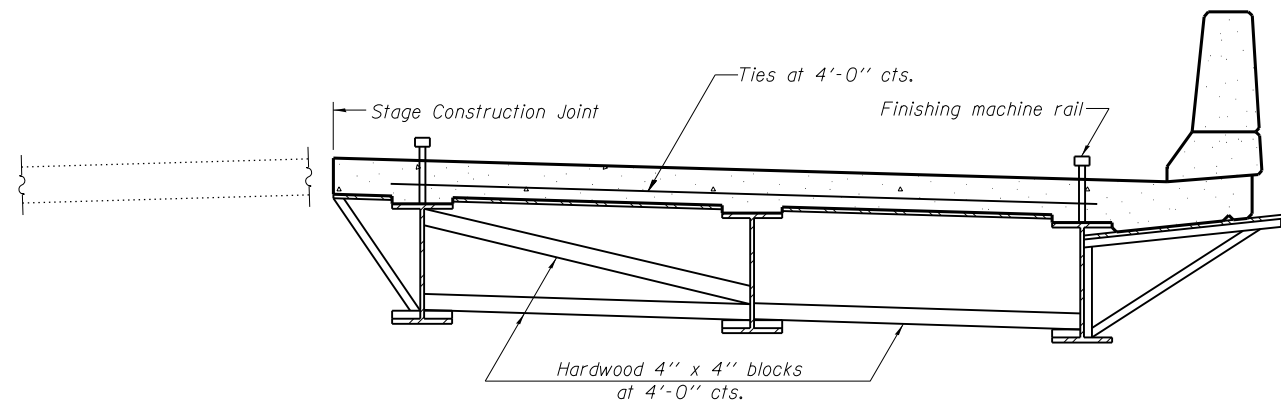


When cantilever forming brackets are used, the work shall be done according to Article 503.06(b) of the Standard Specifications, except as modified below and in the details shown on this sheet.

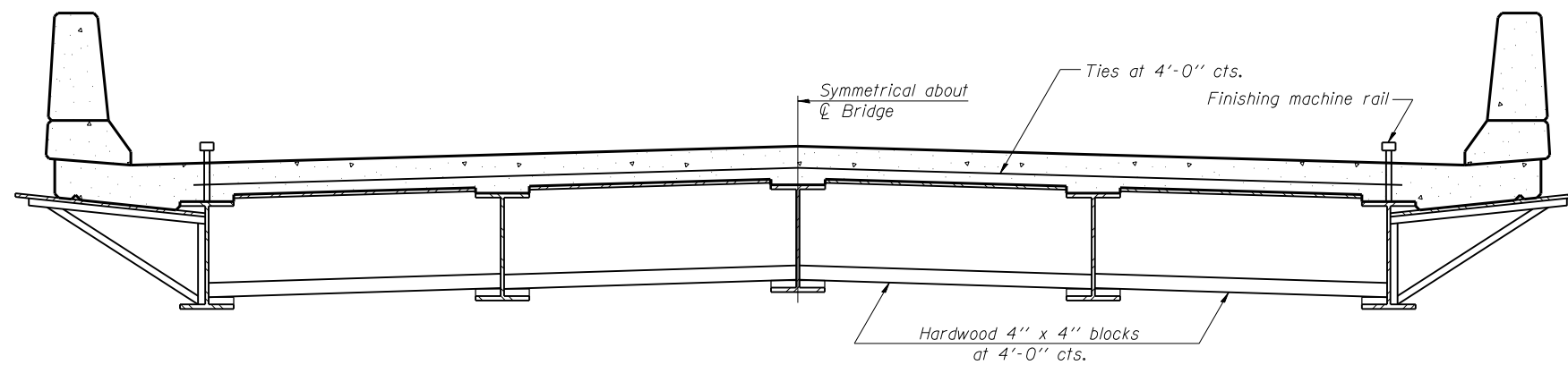
The finishing machine rails shall be placed on the top flange of the exterior beams.

The beams or girders, supporting cantilever forming brackets, shall be tied together at 4 foot intervals.

For Standard construction, or Stage Construction the Hardwood bracing materials shall be placed as shown between webs of beams in each bay.



**FORM BRACES FOR  
STAGE CONSTRUCTION**



**FORM BRACES FOR  
STANDARD CONSTRUCTION**

SB-1

7-1-10

FILE NAME = W:\191-130-1001-IL64\CADD\_Sheets\Structure\166011-111-44\_CantBrackets.dgn



USER NAME =	DESIGNED -	REVISED
	CHECKED - JJI	REVISED
PLOT SCALE =	DRAWN - GM	REVISED
PLOT DATE = 8/15/2013	CHECKED - JJI	REVISED

**STATE OF ILLINOIS  
DEPARTMENT OF TRANSPORTATION**

**CANTILEVER FORMING BRACKETS  
STRUCTURE NO. 016-3035**

SHEET NO. 55 OF 62 SHEETS

F.A.P. RTE.	SECTION	COUNTY	TOTAL SHEETS	SHEET NO.
307	541Y-3-B	COOK	143	116
<b>CONTRACT NO. 60J11</b>				
ILLINOIS FED. AID PROJECT				