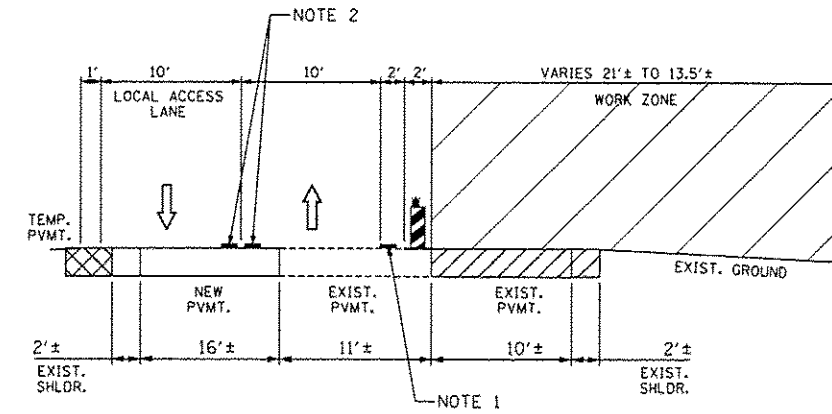
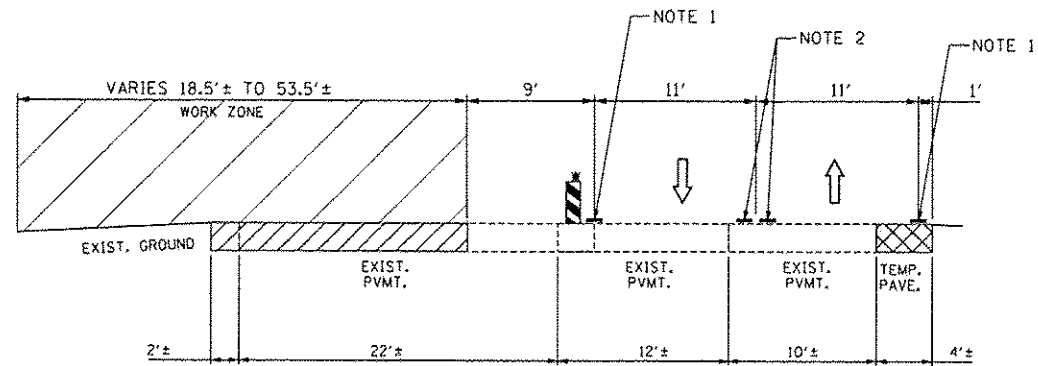


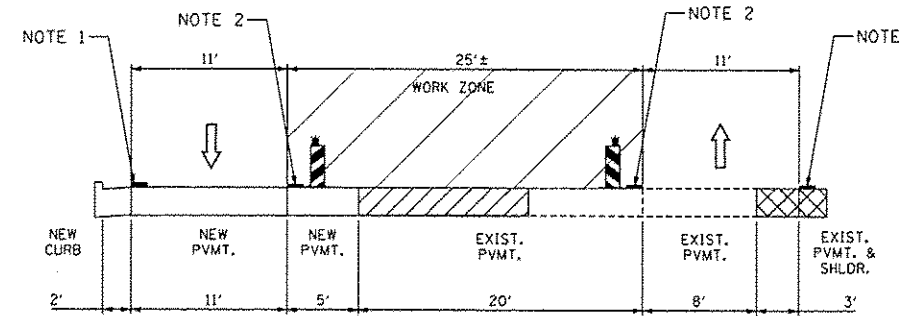
E-E
STAGE 2 - STUENKEL ROAD
STA. 16071+00 TO STA. 16075+00



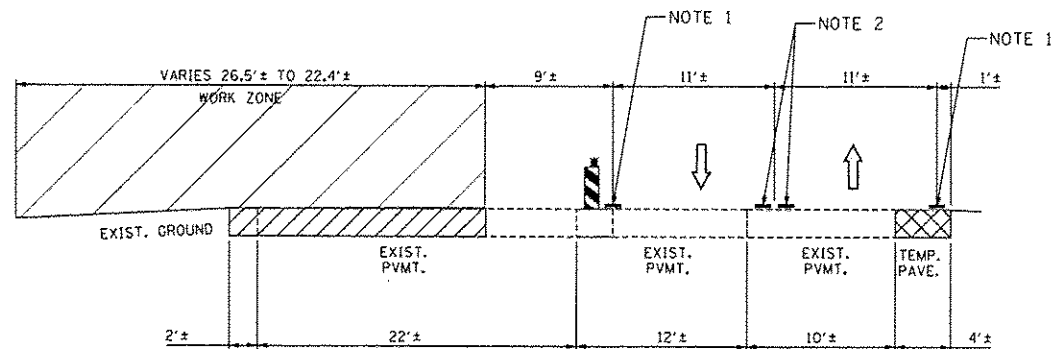
H-H
STAGE 2A - STUENKEL ROAD
STA. 16071+00 TO STA. 16077+50



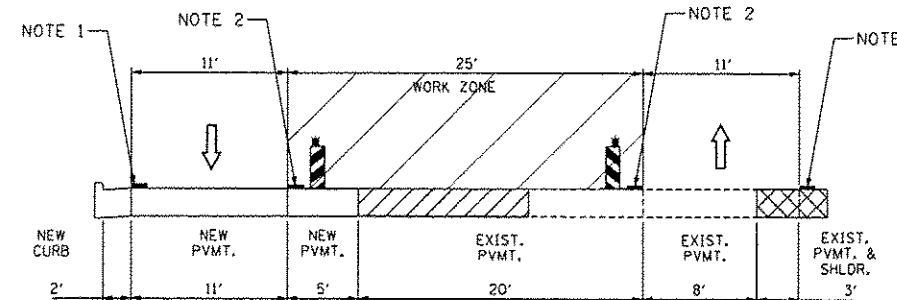
F-F
STAGE 2 - CENTRAL AVENUE
STA. 797+00 TO STA. 802+50



I-I
STAGE 2A - CENTRAL AVENUE
STA. 797+00 TO STA. 802+50



G-G
STAGE 2 - CENTRAL AVENUE
STA. 802+50 TO STA. 804+04



J-J
STAGE 2A - CENTRAL AVENUE
STA. 802+50 TO STA. 804+04

- NOTE 1 - PAVEMENT MARKING TAPE, TYPE III 4" LINE (WHITE)
- NOTE 2 - PAVEMENT MARKING TAPE, TYPE III 4" LINE (YELLOW)
- NOTE 3 - PAVEMENT MARKING TAPE, TYPE III 5" SKIP DASH 10' - 30' (WHITE)
- NOTE 4 - TEMPORARY PAVEMENT MARKING, LINE 6" (WHITE)
- NOTE 5 - TEMPORARY PAVEMENT MARKING, LINE 6" (YELLOW)

LEGEND:

- TRAFFIC MOVEMENT
- DRUM WITH MONO-DIRECTIONAL STEADY BURNING LIGHT
- VERTICAL PANEL (POST MOUNTED)
- VERTICAL BARRICADE WITH BI-DIRECTIONAL STEADY BURNING LIGHT ON TLW SECTIONS AND MONO-DIRECTIONAL STEADY BURNING LIGHT ON ONE WAY AND MULTI-LANE SEGMENTS, 50 FOOT C-C IN TANGENT SECTIONS, 20 FOOT C-C IN TAPERS.
- PAVEMENT MARKING TAPE, TYPE III (SEE PLANS FOR LINE COLOR)
- PAVEMENT REMOVAL / WORK ZONE AREA
- TEMPORARY PAVEMENT / TEMPORARY AGGREGATE
- TEMPORARY CONCRETE BARRIER (WITH REFLECTORS ON TOP AND SIDE FACING TRAFFIC)

TYLIN INTERNATIONAL

USER NAME
 PLOT SCALE
 PLOT DATE

DESIGNED - JDF
 DRAWN - JDF
 CHECKED - JPM
 DATE - 05/10/2013

REVISED - 10/18/2013
 REVISED - 12/04/2013
 REVISED
 REVISED

STATE OF ILLINOIS
DEPARTMENT OF TRANSPORTATION

STUENKEL ROAD AT I-57 RIDGELAND AVENUE TO CENTRAL AVENUE
MOT TYPICAL SECTIONS - STUENKEL & CENTRAL STAGES 2 & 2A

SCALE: N.T.S. SHEET 2 OF 5 SHEETS STA. TO STA.

F.A.I. RTE.	SECTION	COUNTY	TOTAL SHEETS	SHEET NO.
57	99-1HB-R1	WILL	679	101
				CONTRACT NO. 60L69
ILLINOIS FEG. AID PROJECT				