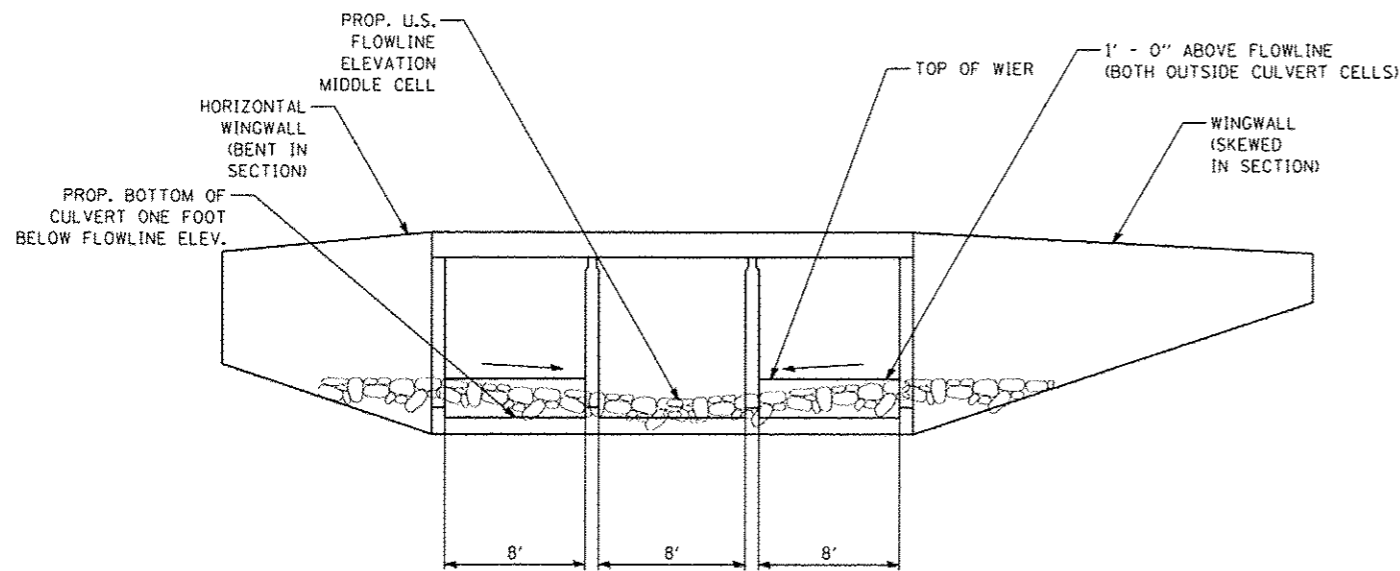
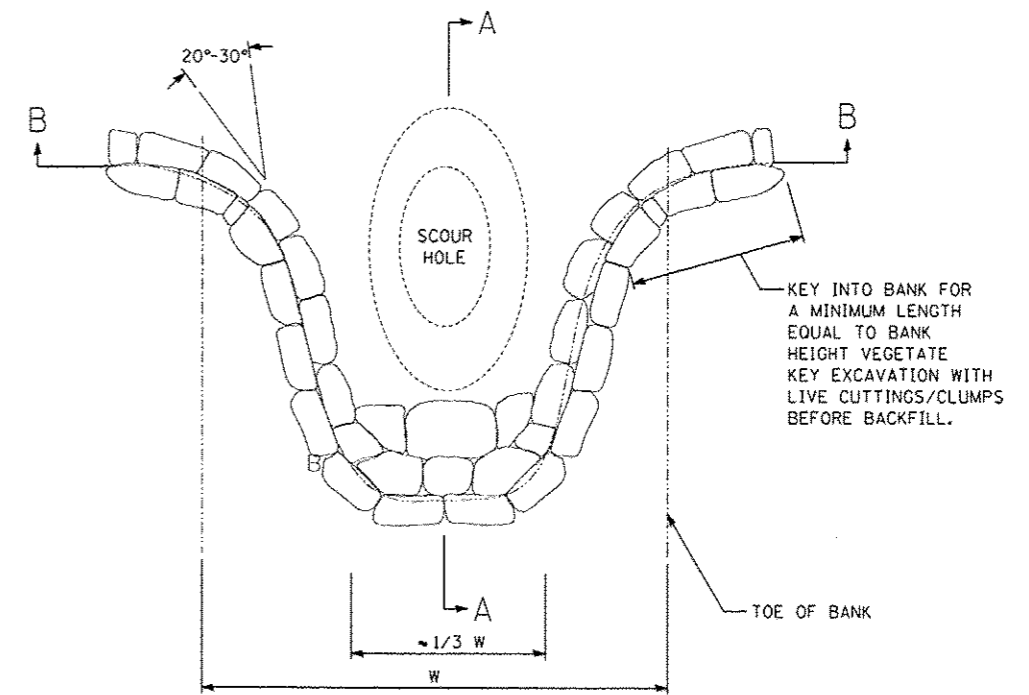


PLAN VIEW: UPSTREAM  
END OF CROSSROAD CULVERTS (TYP.)

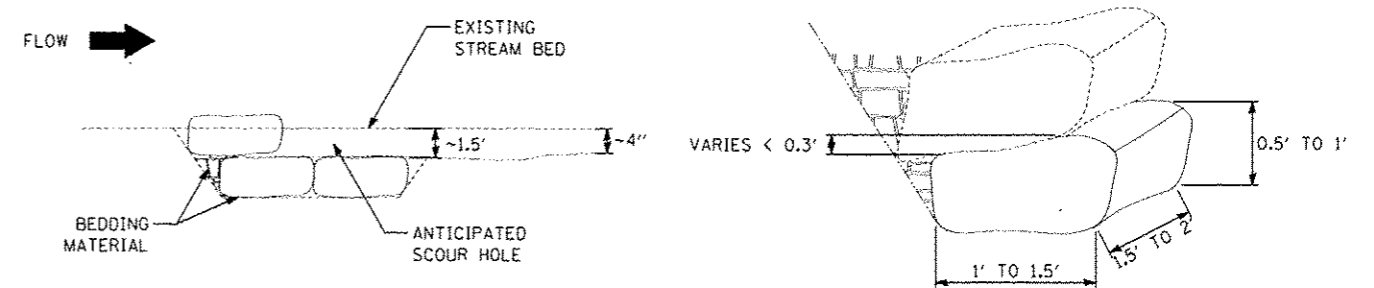


SECTION A-A AT UPSTREAM HEADWALL (TYP.)

UPSTREAM CULVERT RIPRAP INSTALLATION DETAIL

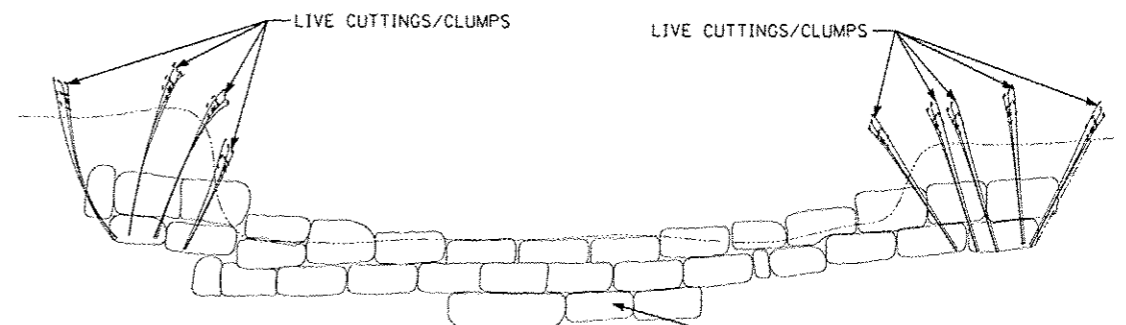


ROCK VANE PLAN



ROCK VANE SECTION A-A

TYPICAL ROCK DIMENSIONS AND PLACEMENT



ROCK VANE SECTION B-B

FOOTING ROCKS SHOULD BE ~50% LARGER THAN OTHER

NOTES: THE ROCKS SHOULD BE ROUNDED. THE ROCK TO ROCK CONTACT SHOULD BE SOLID.

ROCK VANE DETAIL

TYLIN INTERNATIONAL

USER NAME  
PROJECT SCALE  
PROJECT DATE

DESIGNED - PP  
DRAWN - DPS  
CHECKED - JPM  
DATE - 05/10/2013

REVISED - 06/21/2013  
REVISED - 10/18/2013  
REVISED  
REVISED

STATE OF ILLINOIS  
DEPARTMENT OF TRANSPORTATION

STUENKEL ROAD AT I-57 RIDGELAND AVENUE TO CENTRAL AVENUE  
DRAINAGE DETAILS

SCALE: N.T.S. SHEET 1 OF 1 SHEETS STA. TO STA.

F.A.I. RTE.	SECTION	COUNTY	TOTAL SHEETS	SHEET NO.
57	99-1HB-R1	WILL	679	219
CONTRACT NO. 60L69			ILLINOIS FED. AID PROJECT	