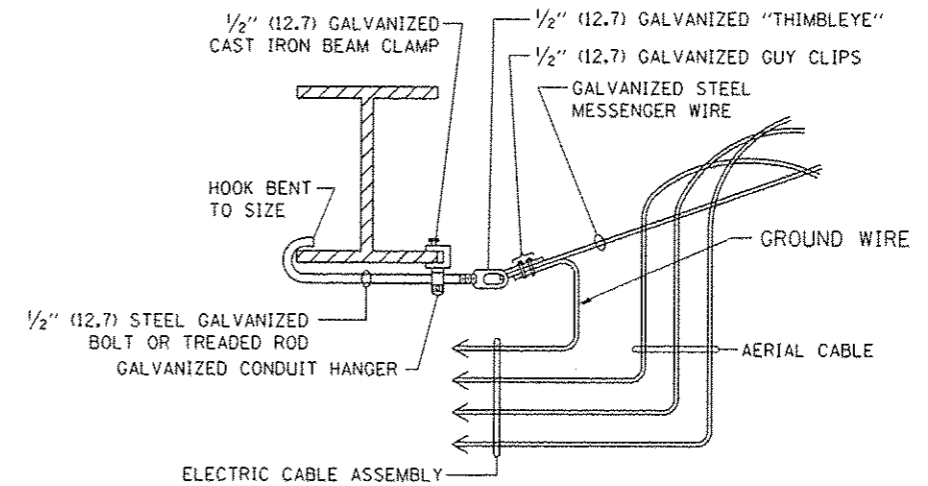


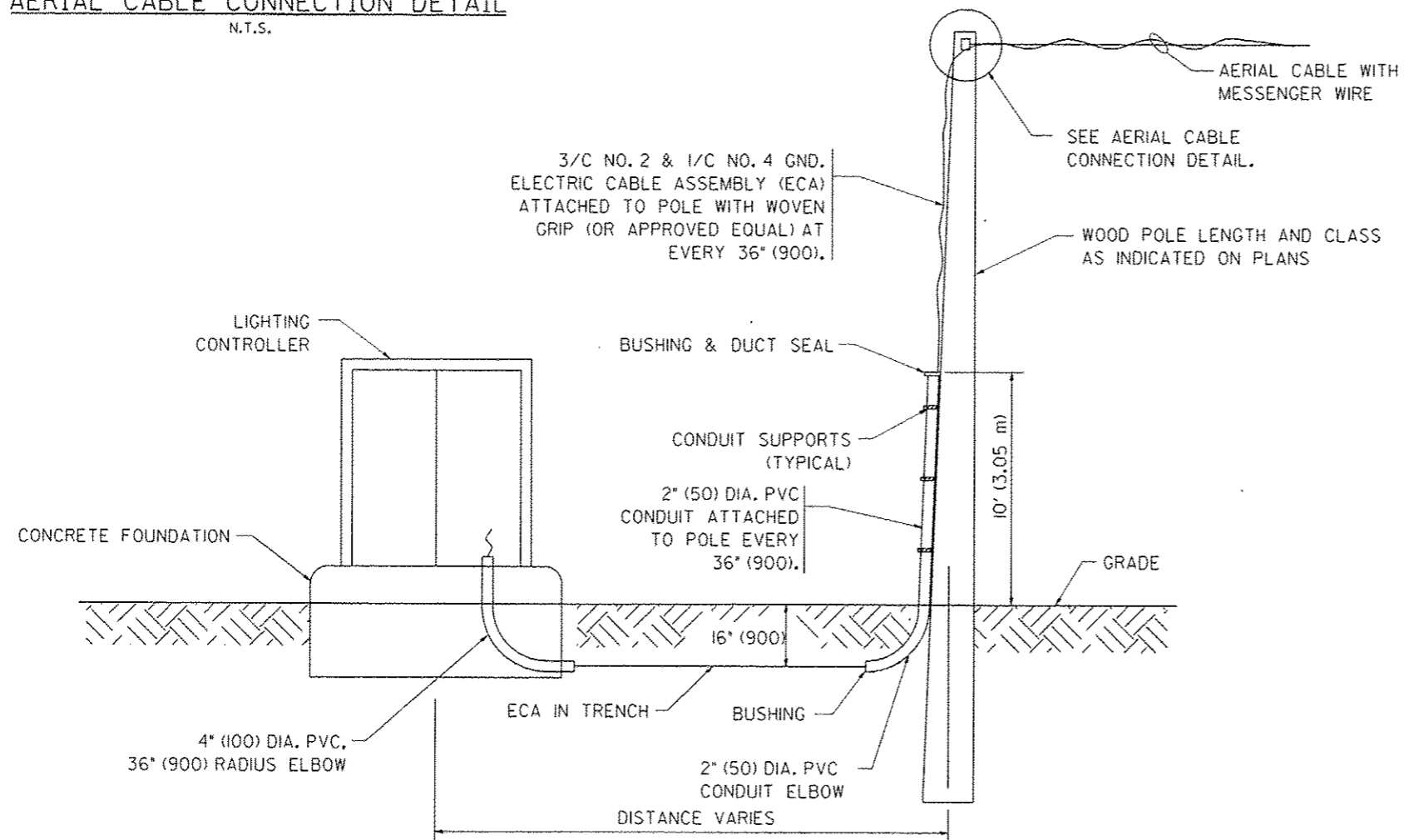
**AERIAL CABLE CONNECTION DETAIL**  
N.T.S.



**AERIAL CABLE ATTACHED TO STRUCTURE**  
NOT TO SCALE

**NOTES:**

1. ALL DIMENSIONS IN INCHES (MILLIMETERS) UNLESS OTHERWISE INDICATED.
2. SEE PROPOSED LIGHTING PLAN FOR CONDUIT, CABLE AND ROUTING.
3. THE CONTRACTOR SHALL PROVIDE INTERMEDIATE SUPPORTS TO MAINTAIN MINIMUM CLEARANCES. REFER TO AERIAL AERIAL CABLE ATTACHED TO STRUCTURE DETAIL.
4. COST OF SPLICES AND MOUNTING HARDWARE SHALL BE INCLUDED IN THE UNIT PRICE FOR AERIAL CABLE.



**WOOD POLE TO LIGHTING CONTROLLER WIRING CONNECTION DETAIL**  
N.T.S.

FILE NAME : W:\dis\std\22x34\ba001.dgn	USER NAME : gggionobt	DESIGNED : DRAWN : CHECKED : DATE :	REVISED : REVISED : REVISED : REVISED :	08-08-03	<b>STATE OF ILLINOIS DEPARTMENT OF TRANSPORTATION</b>	<b>TEMPORARY AERIAL CABLE INSTALLATION</b>		F.A. RTE.	SECTION	COUNTY	TOTAL SHEETS	SHEET NO.
PLOT SCALE = 50,000' / IN.		PLOT DATE = 1/4/2008				SCALE: NONE	SHEET NO. 1 OF 1 SHEETS	STA. TO STA.	<b>BE-801</b>		CONTRACT NO.	679
FED. ROAD DIST. NO. 1 ILLINOIS FED. AID PROJECT												