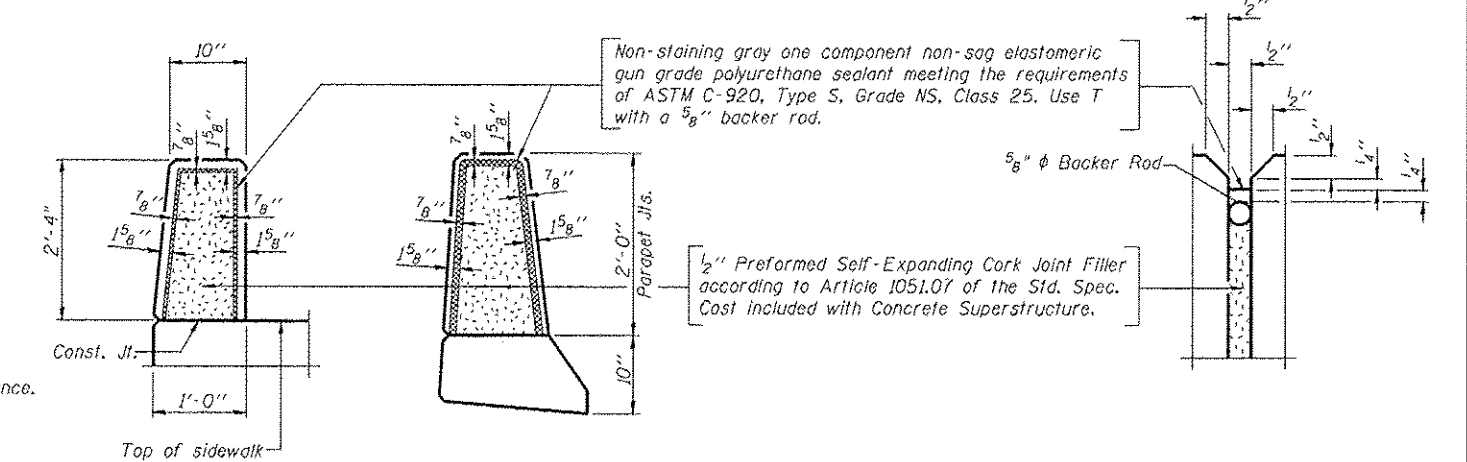
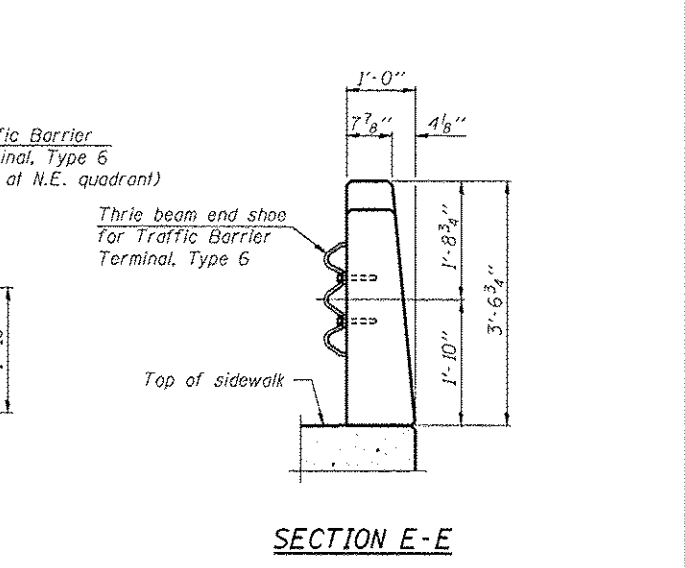
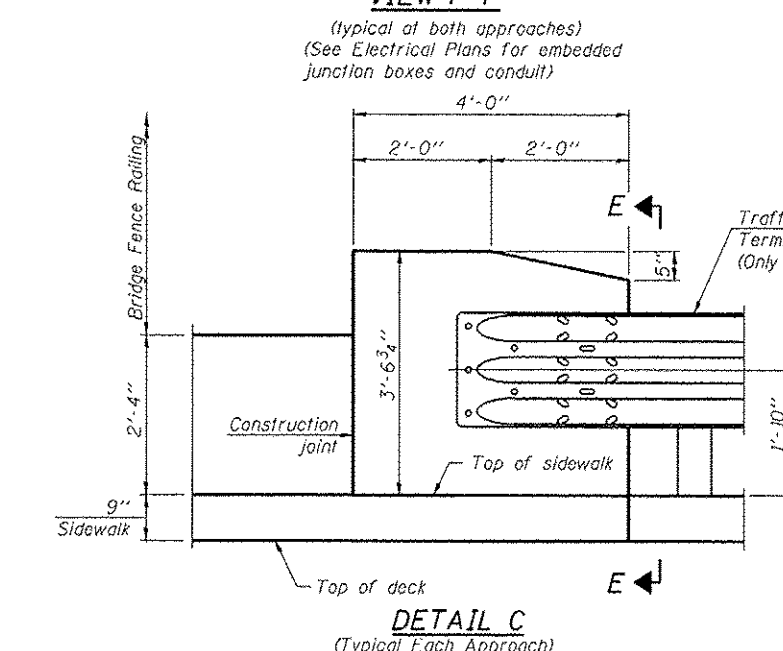
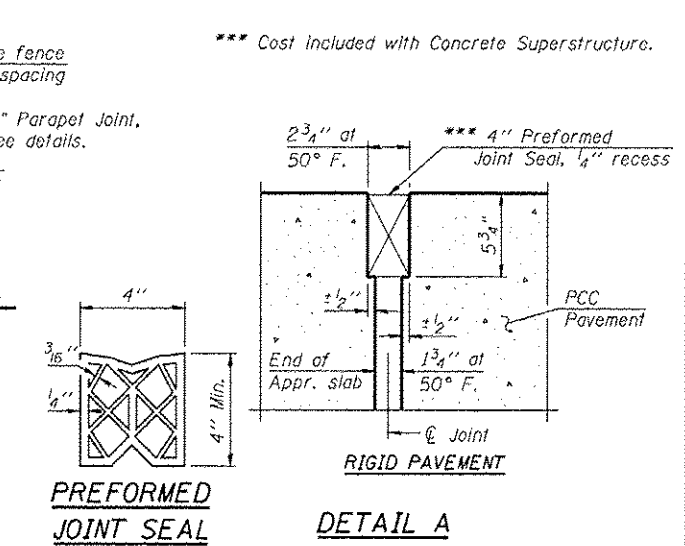
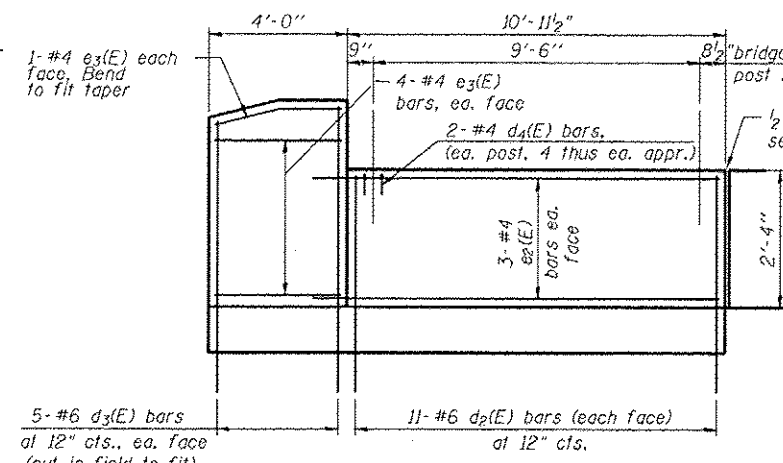
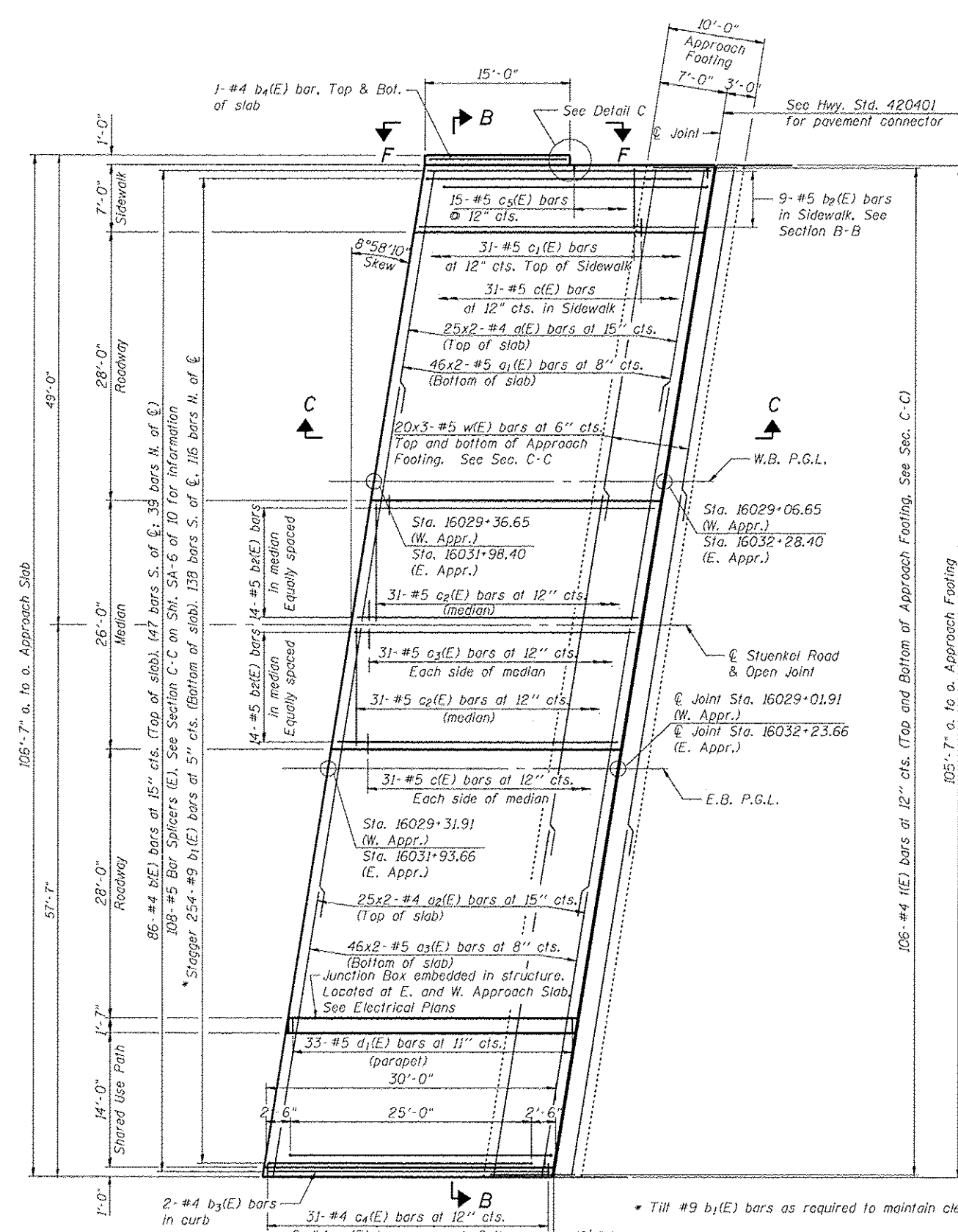


Notes:  
See sheet SA-6 of SA-10 for Sections B-B & C-C.  
d(E) thru a3(E) bar spacings measured along  
Rdwy.



**MIN. LAP**  
#4 Bar = 2'-7"  
#5 Bar = 3'-3"

<b>TYLIN INTERNATIONAL</b>	USER NAME	DESIGNED - PK	REVISED - 1/6/2014 S.P.	<b>STATE OF ILLINOIS</b> <b>DEPARTMENT OF TRANSPORTATION</b>	<b>BRIDGE APPROACH SLAB PLAN</b> <b>STRUCTURE NO. 099-0526</b>	F.A.I. RTE.	SECTION	COUNTY	TOTAL SHEETS	SHEET NO.	
	PLOT SCALE	CHECKED - SP	REVISED -			57	99-1HD-R1	WILL	679	357	
	PLOT DATE	DRAWN - PK	REVISED -			CONTRACT NO. 60L69					
		CHECKED - SP/PDF	REVISED -			ILLINOIS FED. AID PROJECT					