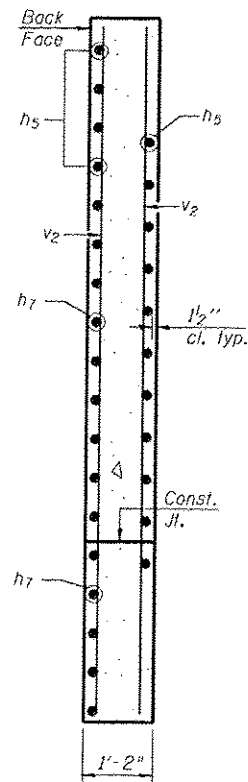
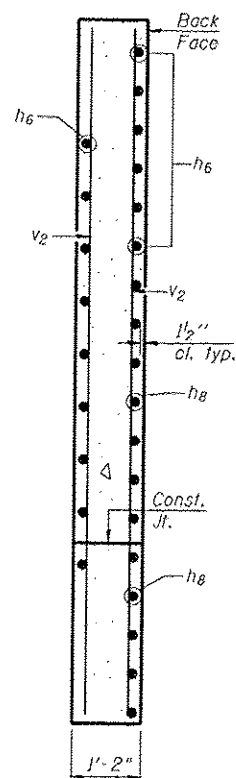


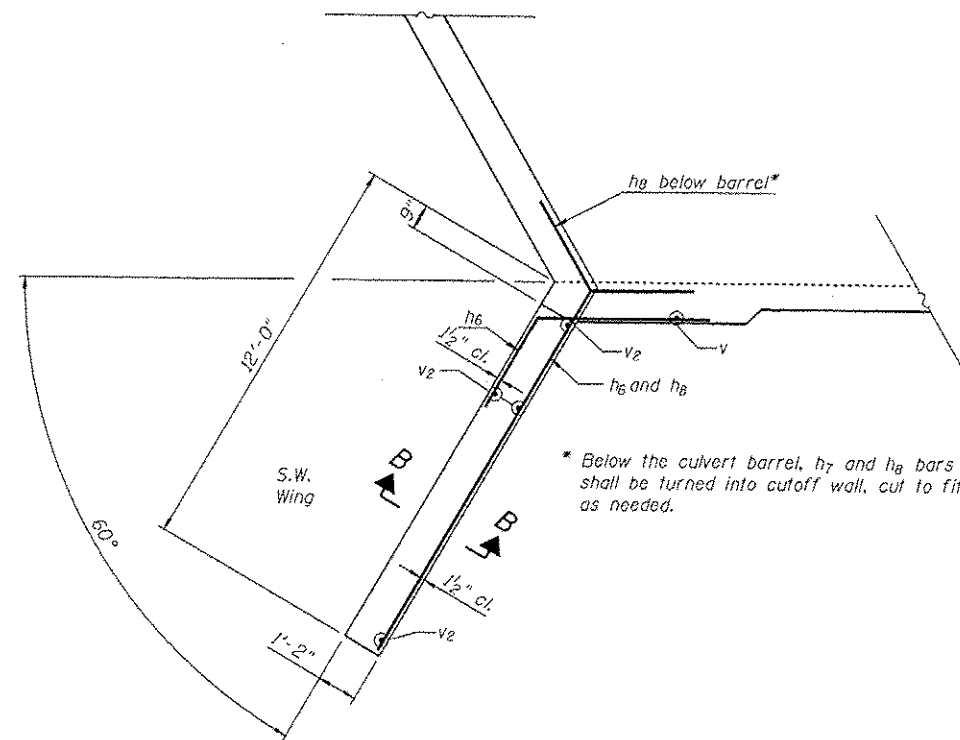
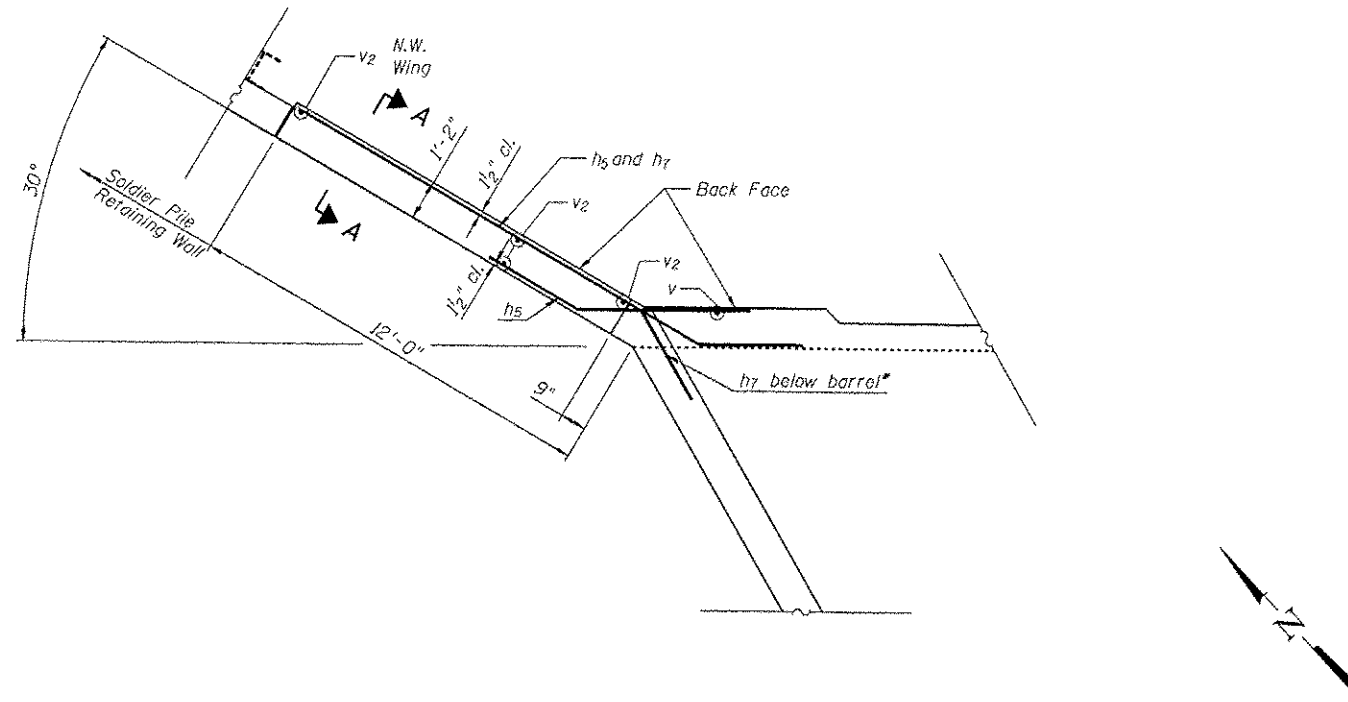
WEST WINGWALL ELEVATION



SECTION A-A



SECTION B-B



WEST WINGWALL PLAN

* Below the culvert barrel, h7 and h8 bars shall be turned into cutoff wall, cut to fit as needed.

FILE NAME :	USER NAME :	DESIGNED - RL	REVISED - 1/6/2014 S.P.	STATE OF ILLINOIS DEPARTMENT OF TRANSPORTATION	CULVERT SECTIONS AND DETAILS - 1 STRUCTURE NO. 099-0608	F.A.I. RTE.:	SECTION	COUNTY	TOTAL SHEETS	SHEET NO.
TYLIN INTERNATIONAL	CHECKED - AMD	REVISION	57			99-IHB-R1	WILL	679	377	
PLOT SCALE :	DRAWN - TB/PAK	REVISION	CONTRACT NO. 60L69							
PLOT DATE :	CHECKED - AMD	REVISION	ILLINOIS FED. AID PROJECT							

Entire Sheet Revised

4.3.4.20 PM 1/31/2014