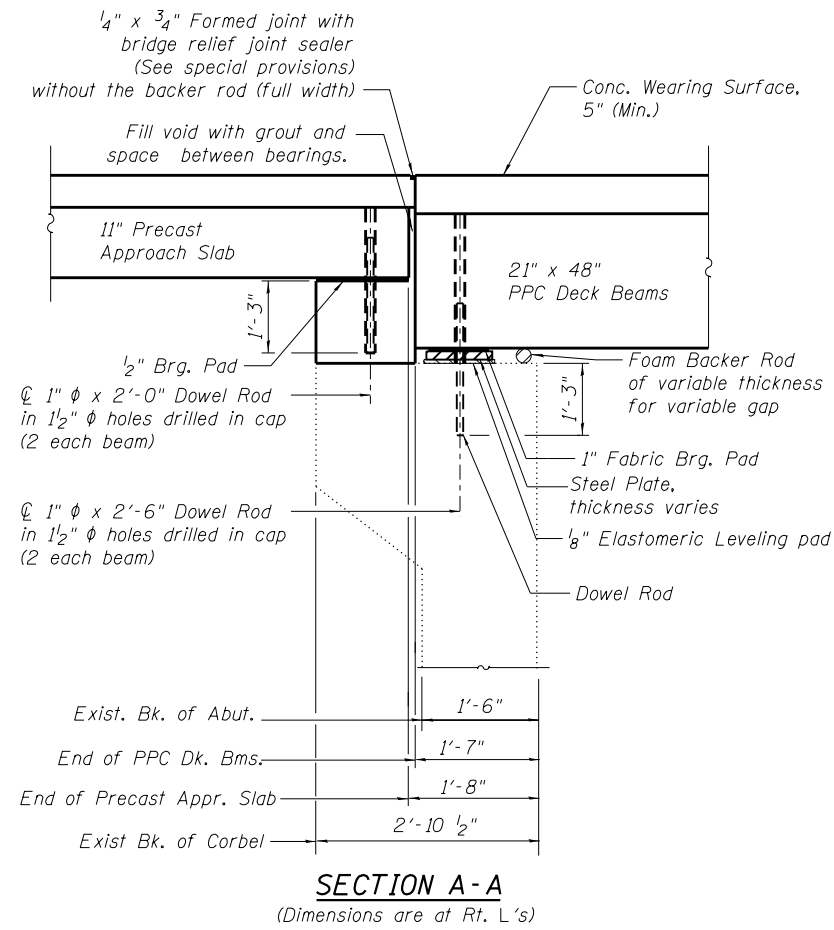
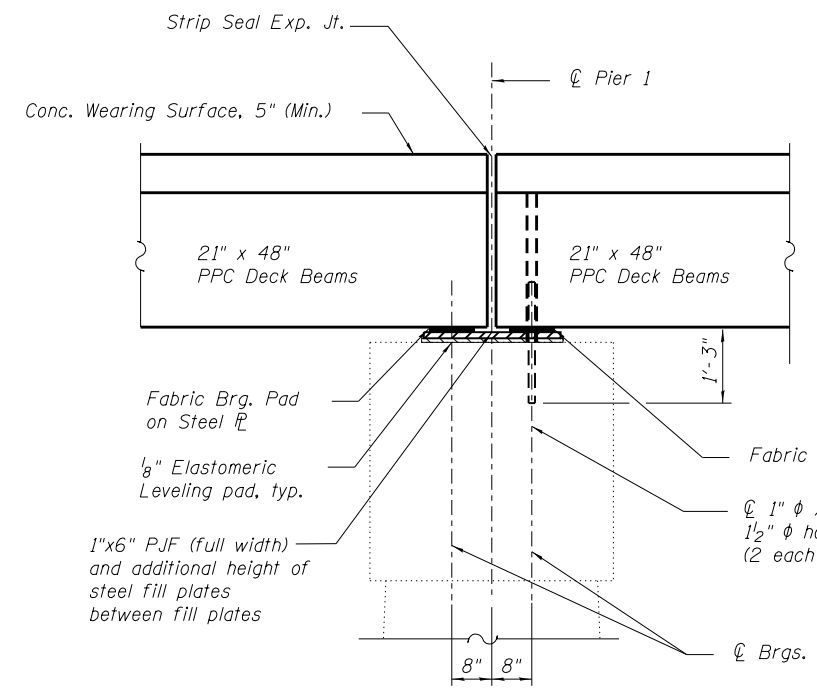


**MINIMUM BAR LAP**  
#4 bar = 2'-7"

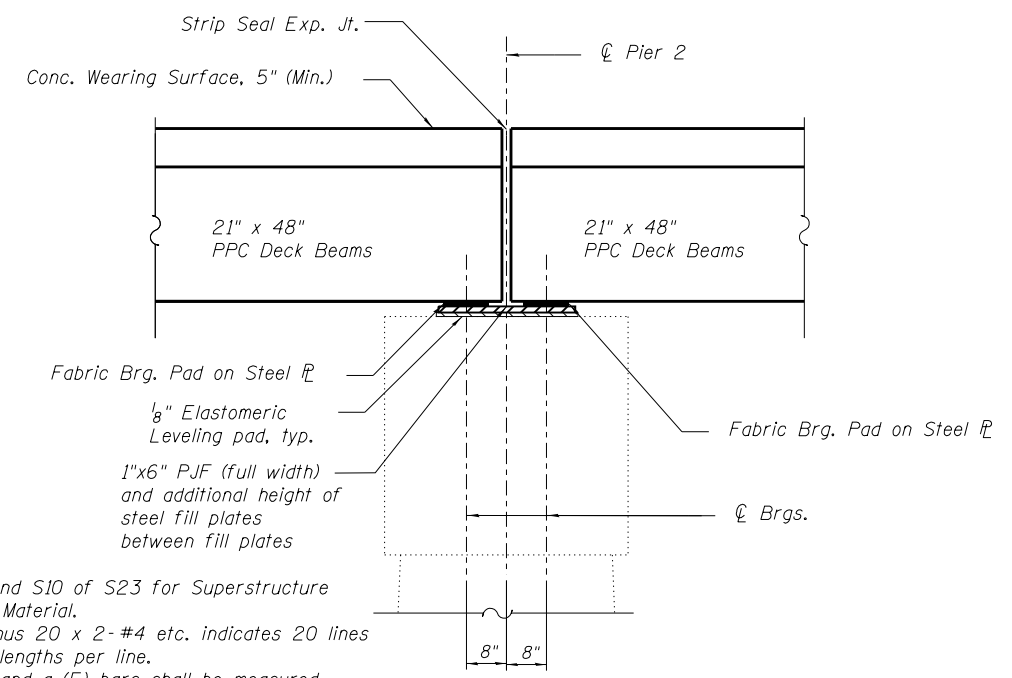
**CROSS SECTION**  
(Looking East)



**SECTION A-A**  
(Dimensions are at Rt. L's)



**SECTION B-B**  
(Dimensions are at Rt. L's)



**SECTION C-C**  
(Dimensions are at Rt. L's)

**Notes:**  
See sheets S9 and S10 of S23 for Superstructure Details and Bill of Material.  
Bars indicated thus 20 x 2-#4 etc. indicates 20 lines of bars with 2 lengths per line.  
Spacing of a(E) and a1(E) bars shall be measured along the centerline of structure.  
\*Epoxy grout bars into 5" deep drilled holes in the Concrete Wearing Surface accordance with Section 584 of the Standard Specifications.  
All concrete wearing surface on deck beams shall be placed prior to casting a backwall and/or approach slab.  
See sheet S18 of S23 for fabric bearing pad details.  
Foam backer rod and grout included in Cost for PPC Deck Beams, 21" Depth.  
Cost of grout included in PPC Deck Beams, 21" Depth.  
1/8" Elastomeric leveling pads shall have material properties according to Art. 1052.02 of the Standard Specifications.

M:\L 132 over DesPlanes River\12-15-4-001\DRAWINGS\Structural\Final Plans\CADD Sheets\049-0062\_08\_super\_section.dgn



USER NAME = JPS	DESIGNED - OY	REVISED
FILE NAME = 049-0062_08_super_section.dgn	CHECKED - DB	REVISED
PLOT DATE = 9/3/2013	DRAWN - CM	REVISED
	CHECKED - OY	REVISED

**STATE OF ILLINOIS**  
**DEPARTMENT OF TRANSPORTATION**

**SUPERSTRUCTURE CROSS SECTION**  
**STRUCTURE NO. 049-0062**  
SHEET NO. 58 OF S23 SHEETS

F.A.P. RTE.	SECTION	COUNTY	TOTAL SHEETS	SHEET NO.
541	X-6B-R	LAKE	93	49
ILLINOIS FED. AID PROJECT			CONTRACT NO. 60N22	