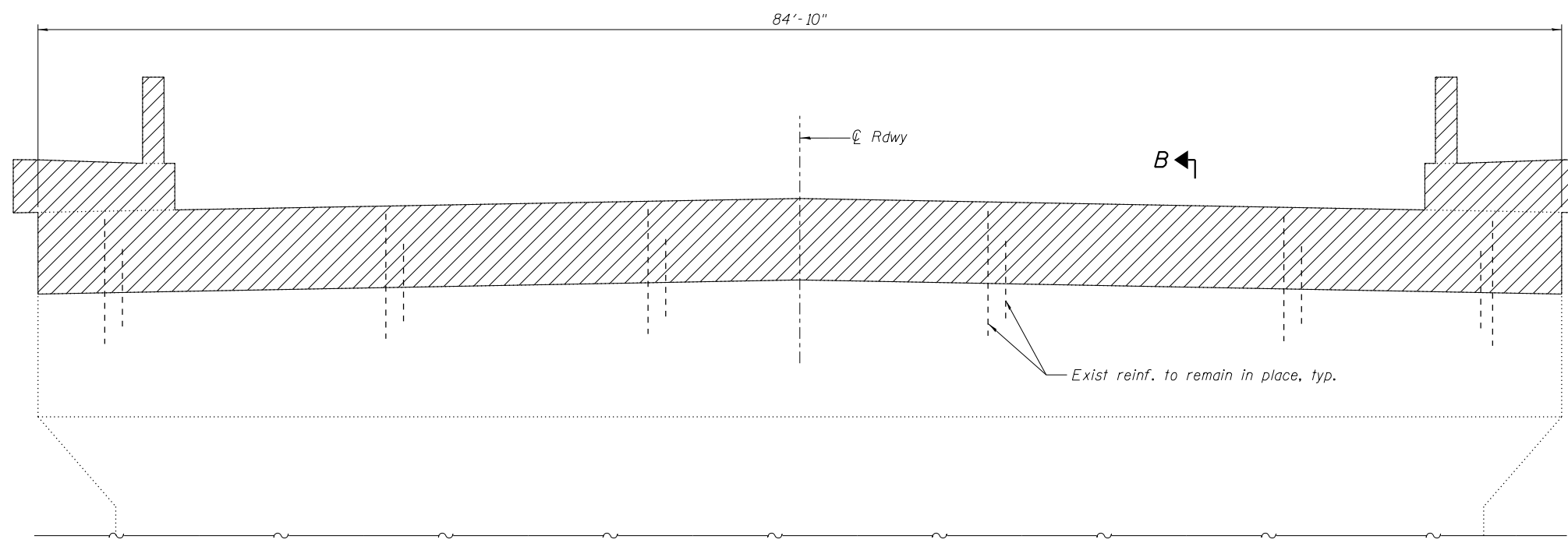
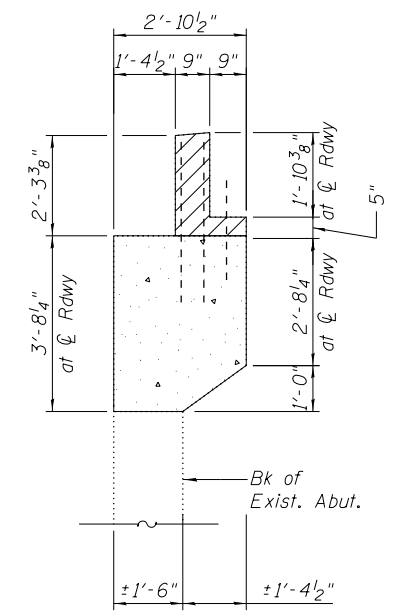


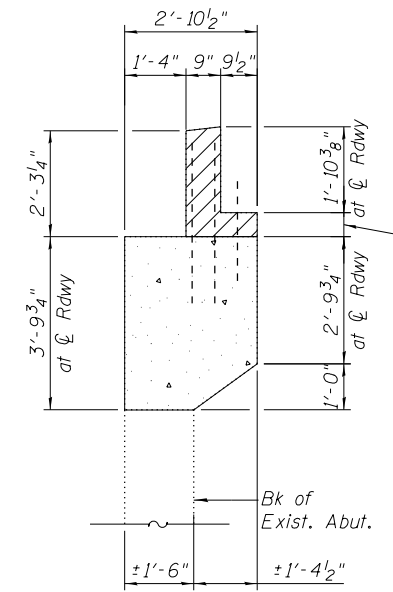
EAST ABUTMENT ELEVATION
(Looking east)



WEST ABUTMENT ELEVATION
(Looking west)



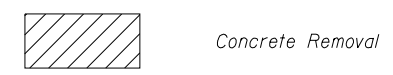
SECTION A-A



SECTION B-B

CONCRETE REMOVAL
STRUCTURE EXCAVATION

LEGEND



BILL OF MATERIAL

Item	Unit	Total
Concrete Removal	Cu. Yd.	19.2
Structure Excavation	Cu. Yd.	11

M:\L 132 over- Des\James River\12-15-00\1\DRAWINGS\Structural\Final Plans\CADD Sheets\049-0062.19_abut_remove.dgn



USER NAME = JPS
FILE NAME = 049-0062.19_abut_remove.dgn
PLOT DATE = 9/3/2013

DESIGNED - OY	REVISED
CHECKED - DB	REVISED
DRAWN - CM	REVISED
CHECKED - OY	REVISED

**STATE OF ILLINOIS
DEPARTMENT OF TRANSPORTATION**

**ABUTMENTS REMOVAL
STRUCTURE NO. 049-0062**

SHEET NO. S19 OF S23 SHEETS

F.A.P. RTE.	SECTION	COUNTY	TOTAL SHEETS	SHEET NO.
541	X-6B-R	LAKE	93	60
CONTRACT NO. 60N22				

ILLINOIS FED. AID PROJECT