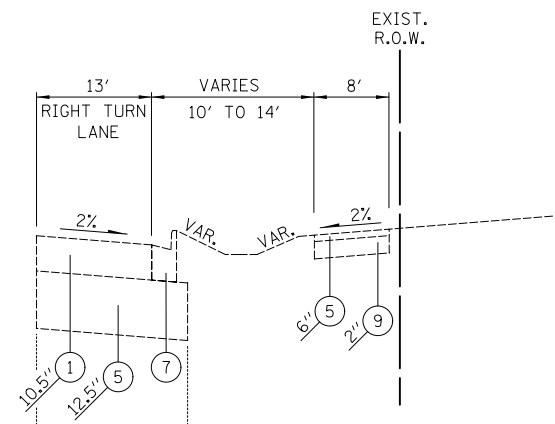
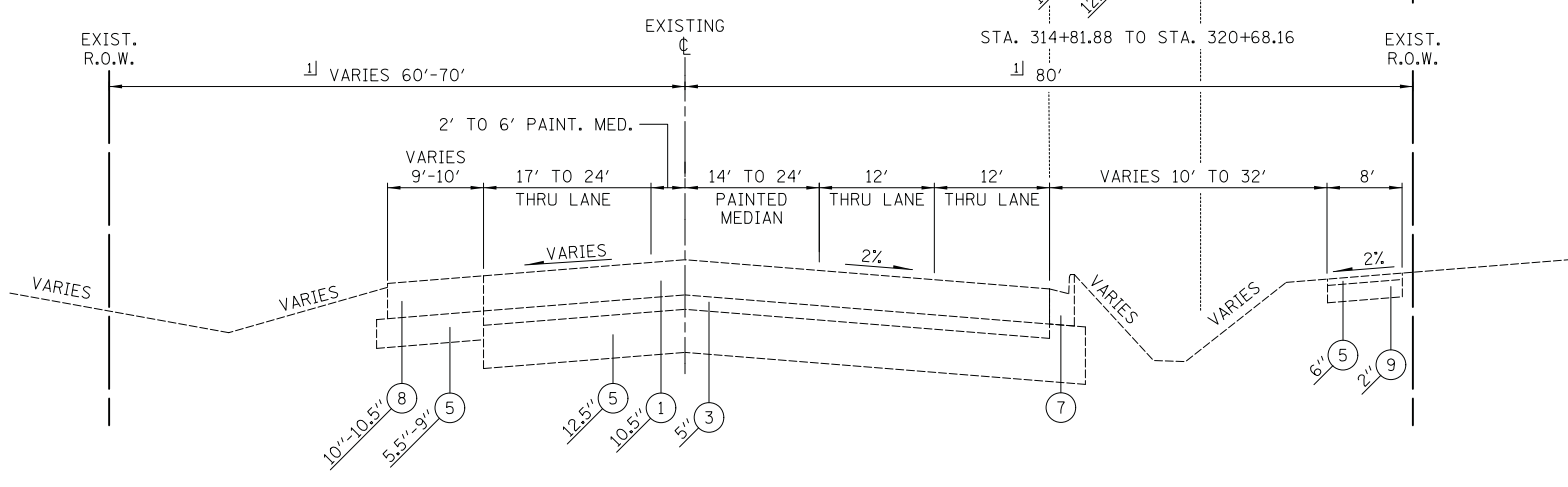


ILLINOIS ROUTE 31

STA. 308+18.00 TO STA. 310+82.33

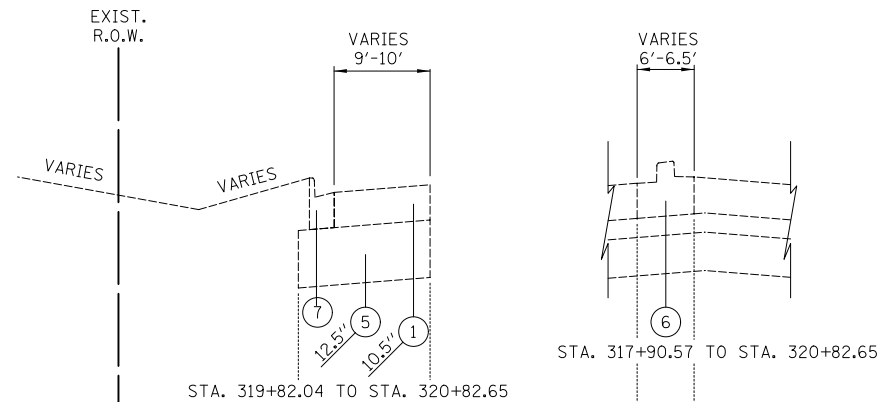


STA. 314+81.88 TO STA. 320+68.16

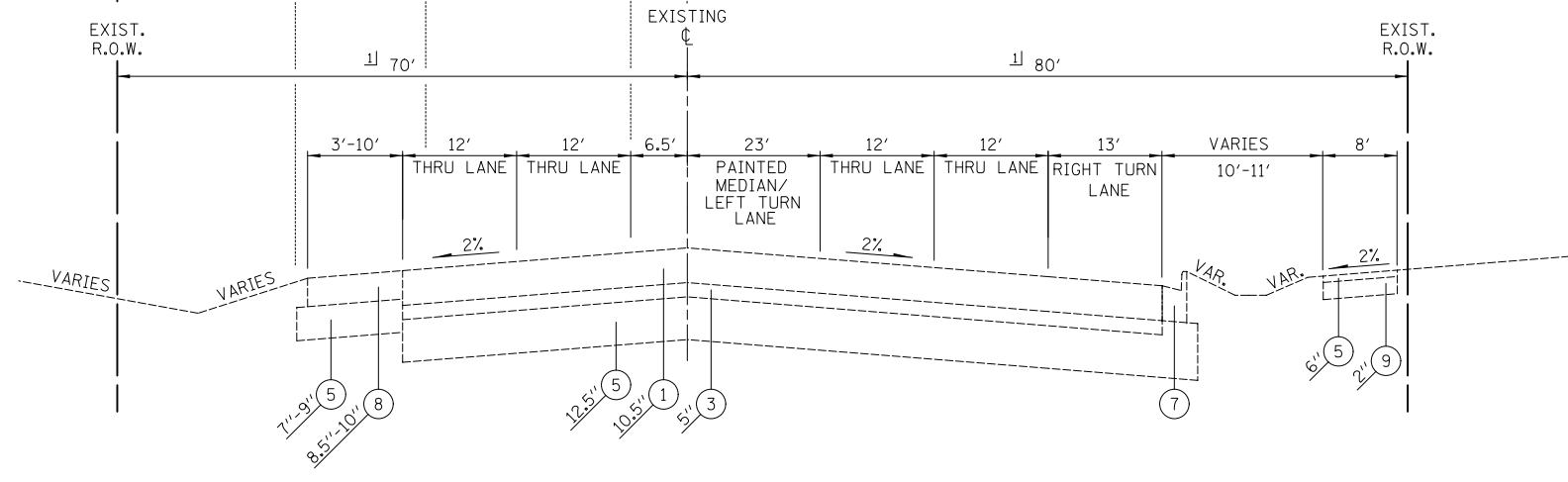


ILLINOIS ROUTE 31

STA. 310+82.33 TO STA. 314+81.88



STA. 317+90.57 TO STA. 320+82.65



ILLINOIS ROUTE 31

STA. 314+81.88 TO STA. 320+82.65

LEGEND

- ① EXISTING PCC PAVEMENT, 10"±
- ② EXISTING HOT-MIX ASPHALT SURFACE COURSE
- ③ EXISTING HOT-MIX ASPHALT BINDER COURSE
- ④ EXISTING HOT-MIX ASPHALT BASE COURSE
- ⑤ EXISTING SUB-BASE GRANULAR MATERIAL
- ⑥ EXISTING CONCRETE MEDIAN
- ⑦ EXISTING CONCRETE CURB & GUTTER
- ⑧ EXISTING HOT-MIX ASPHALT SHOULDER
- ⑨ EXISTING HOT-MIX ASPHALT BIKE PATH
- ⑩ EXISTING RECYCLED ASPHALT PAVEMENT (RAP)

SHEET NOTES

⌞ SEE PLAT OF HIGHWAYS FOR RIGHT OF WAY DIMENSIONS.

FILE NAME =
... \2278NG.EXTYP_02.dgn

USER NAME = kwh
PLOT SCALE = 1.0000' / 1" =
PLOT DATE = 8/5/2013

DESIGNED - DTE
DRAWN - DTE
CHECKED - GAB
DATE - 06/24/2013

REVISED -
REVISED -
REVISED -
REVISED -

**STATE OF ILLINOIS
DEPARTMENT OF TRANSPORTATION**

EXISTING TYPICAL SECTIONS

SCALE: NONE SHEET NO. 2 OF 4 SHEETS STA. TO STA.

F.A.U. RTE.	SECTION	COUNTY	TOTAL SHEETS	SHEET NO.
3887	18W&RS-5 (12)	McHENRY	151	12
CONTRACT NO. 60V72				
FED. ROAD DIST. NO. 1 ILLINOIS FED. AID PROJECT				