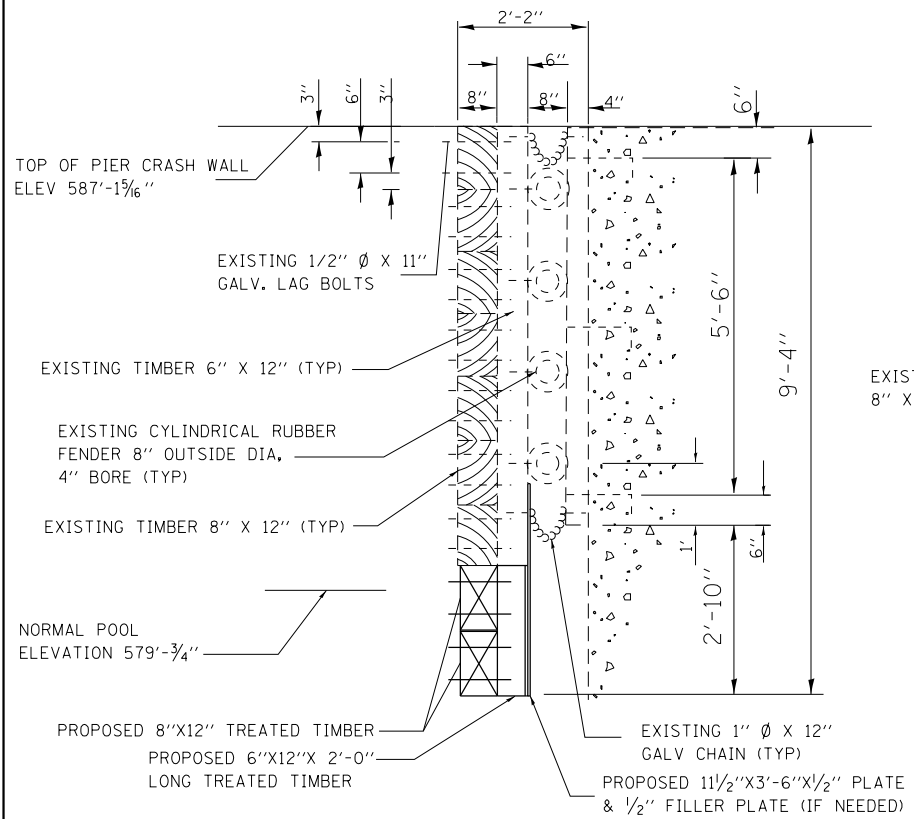
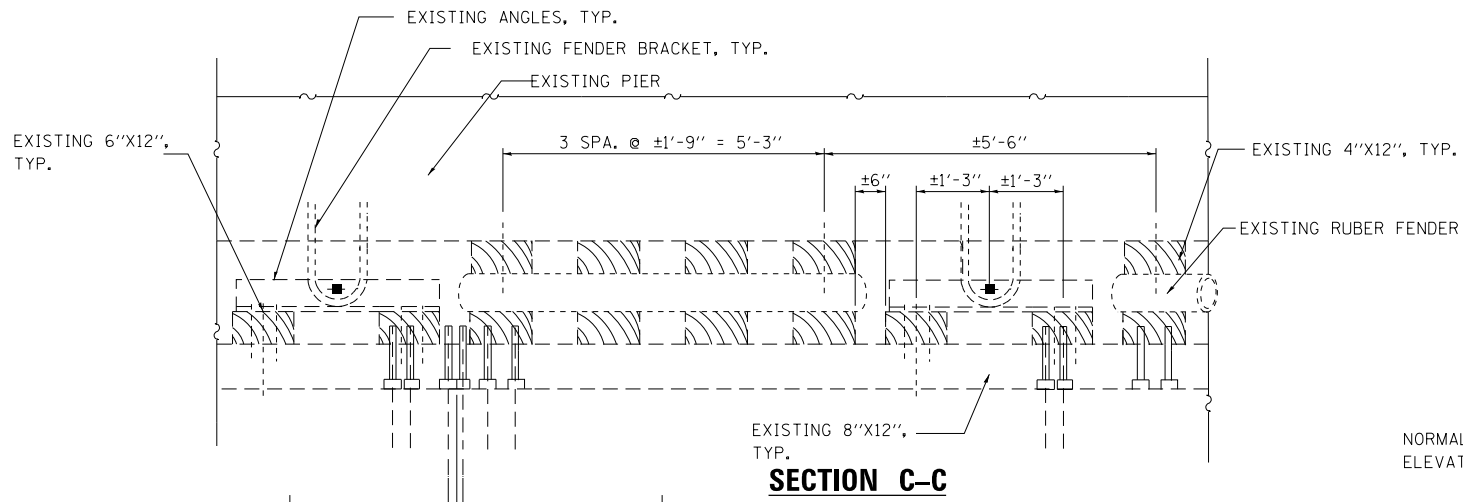


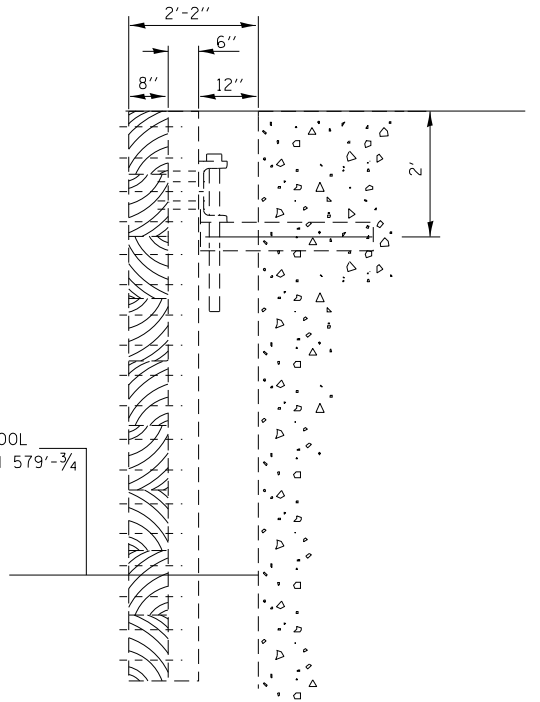
**SECTION A-A REMOVAL**



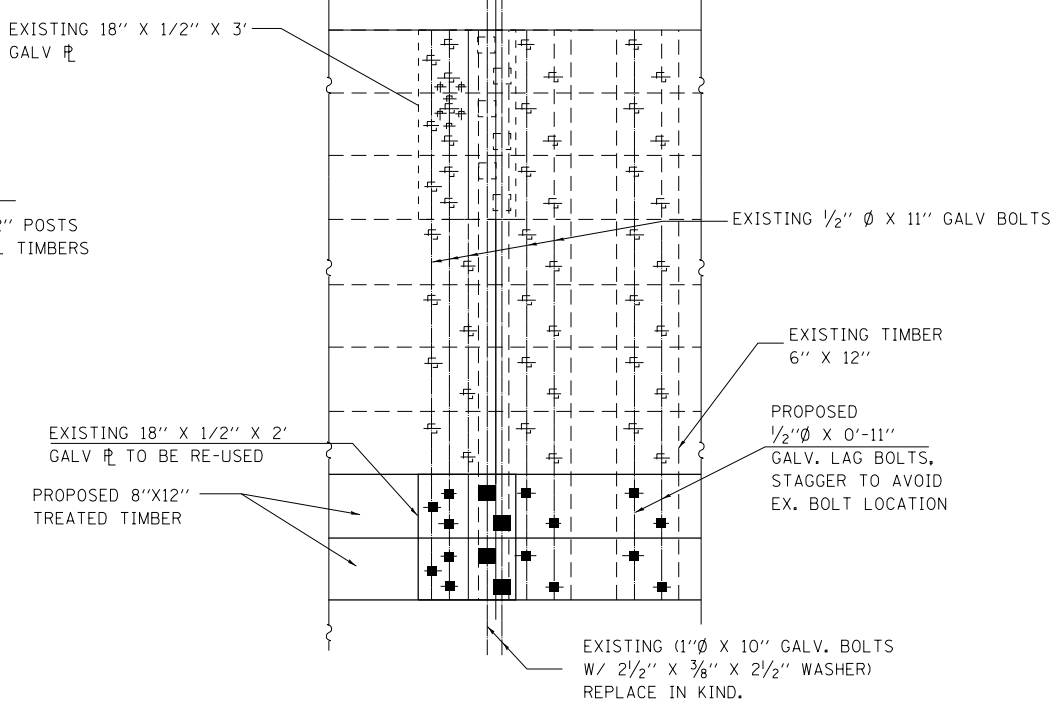
**SECTION A-A PROPOSED**



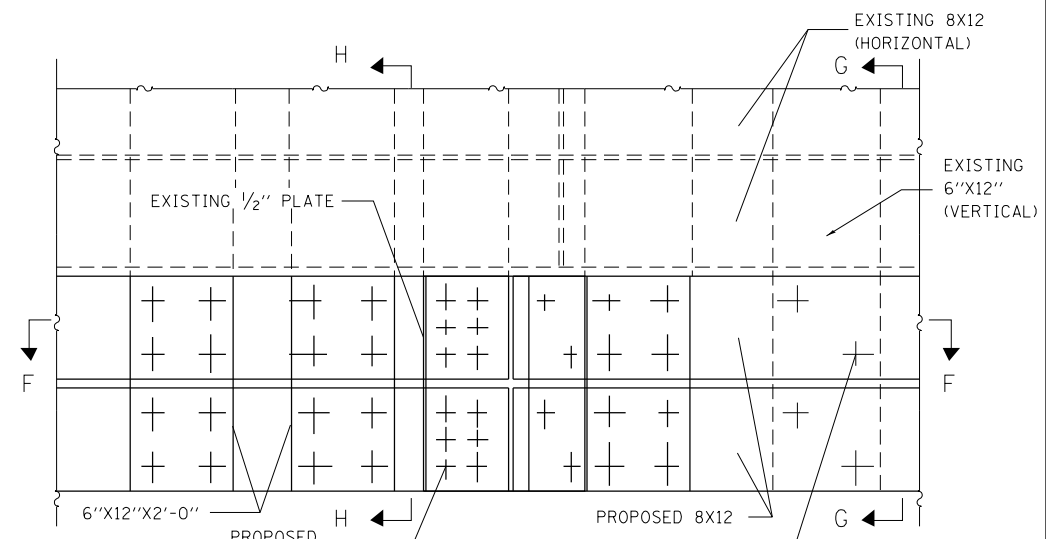
**SECTION C-C**



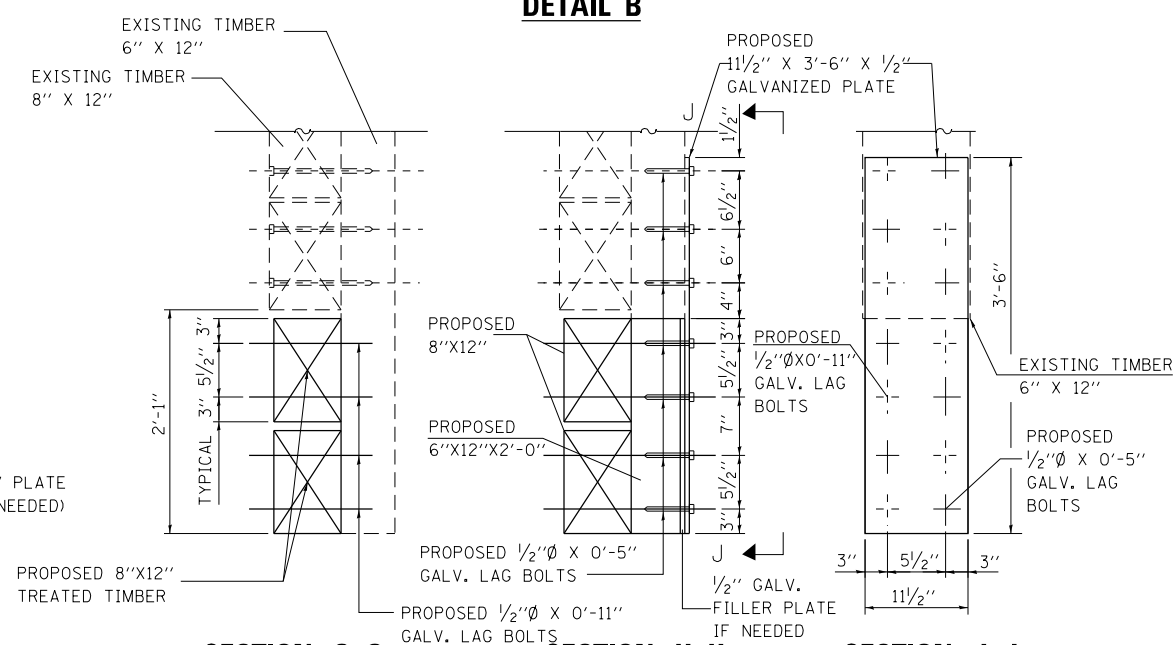
**SECTION D-D**



**DETAIL B**



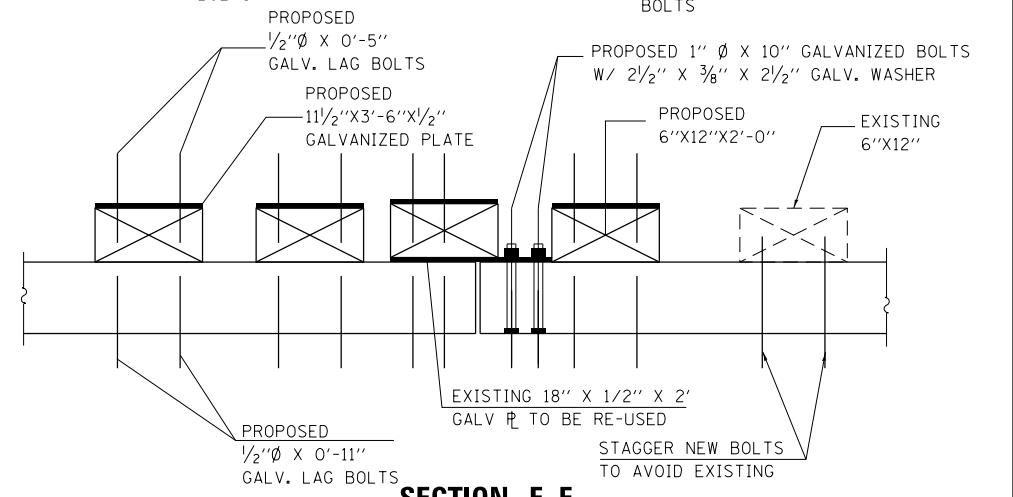
**VIEW A**



**SECTION G-G**

**SECTION H-H**

**SECTION J-J**



**SECTION F-F**

FILE NAME =	USER NAME = hardnettr	DESIGNED - BH; RA	REVISED -
ei:\pw_work\puidot\hardnettr\d0359751\041113-sht-plan.dgn		DRAWN - 11 /20 /13	REVISED -
Default	PLOT SCALE = 100.0000' / in.	CHECKED - JAM	REVISED -
	PLOT DATE = 12/11/2013	DATE - 11 /21 /13	REVISED -

**STATE OF ILLINOIS  
DEPARTMENT OF TRANSPORTATION**

**LOCATIONS 1-2  
BRIDGE REPAIR PLANS**

SCALE: SHEET 4 OF 7 SHEETS STA. TO STA.

F.A. RTE.	SECTION	COUNTY	TOTAL SHEETS	SHEET NO.
VAR.	2013-043BR	COOK	22	11
CONTRACT NO. 60W97				
ILLINOIS FED. AID PROJECT				