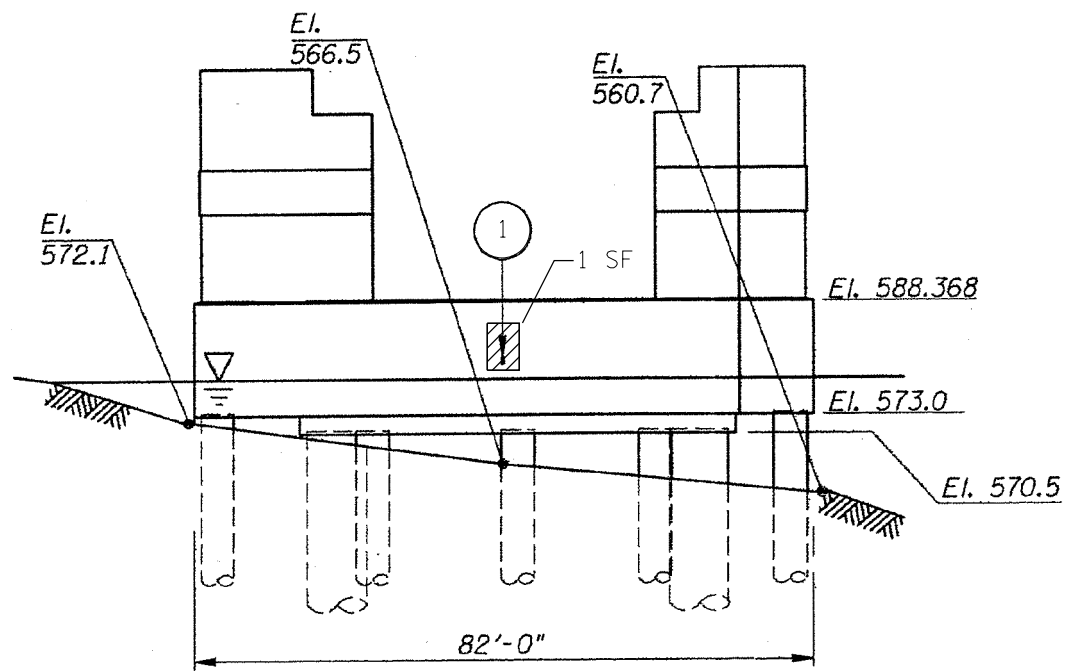


PLAN



SOUTH ELEVATION

NOTE:

- 1 STRUCTURAL REPAIR OF CONCRETE SECTION LOSS MEASURING 4 INCHES WIDE BY 1 FOOT HIGH WITH 1/2 INCH PENETRATION AT THE MIDPOINT OF THE SOUTH PIER FACE FROM 2 FEET ABOVE THE WATERLINE TO 3 FEET ABOVE THE WATERLINE

LEGEND

 STRUCTURAL REPAIR OF CONCRETE ≤ 5" (1 SF)

LOCATION 3
IL-43 OVER
CHICAGO SANITARY &
SHIPPING CANAL
S.N. 016-0991

| | | | | | | | | | | | | |
|-------------|------------------------------|--------------------|-----------|---|---|---------------------|-----------|---------|--------|--------------|-----------|-------|
| FILE NAME = | USER NAME = hardnettbr | DESIGNED - BH; RA | REVISED - | STATE OF ILLINOIS DEPARTMENT OF TRANSPORTATION | LOCATION 3 BRIDGE REPAIR PLANS | | F.A. RTE. | SECTION | COUNTY | TOTAL SHEETS | SHEET NO. | |
| Default | 11113-sht-plan.dgn | DRAWN - 11 /20 /13 | REVISED - | | SCALE: | SHEET 4 OF 5 SHEETS | STA. | TO STA. | VAR. | 2013-043BR | COOK | 22 18 |
| | PLOT SCALE = 100.0000' / in. | CHECKED - JAM | REVISED - | | CONTRACT NO. 60W97 | | | | | | | |
| | PLOT DATE = 12/11/2013 | DATE - 11 /21 /13 | REVISED - | | ILLINOIS FED. AID PROJECT | | | | | | | |